

Dragon-1 since 9/98 Serial-Nr.: F00010

- Start of Production

[PreAmp schematic](#) [PreAmp board](#)

[PowerAmp schematic](#) [Rectifier, eff-loop, relais boards](#)

[MIDI schematics](#) [MIDI boards](#)

Dragon-2 since 12/00 Serial-Nr.: F00560

[PreAmp schematic](#) [PreAmp board](#)

[PowerAmp schematic](#) [Rectifier, eff-loop, PA boards](#)

[MIDI schematics](#) [MIDI boards](#)

- New Power- und StandBy-switch
- Powertransformer and rectifier for anode-voltage have changed, additional anode-fuse
- Heat-rectifier for the input-tubes was removed, new PCB layouts
- Sovtek-tubes

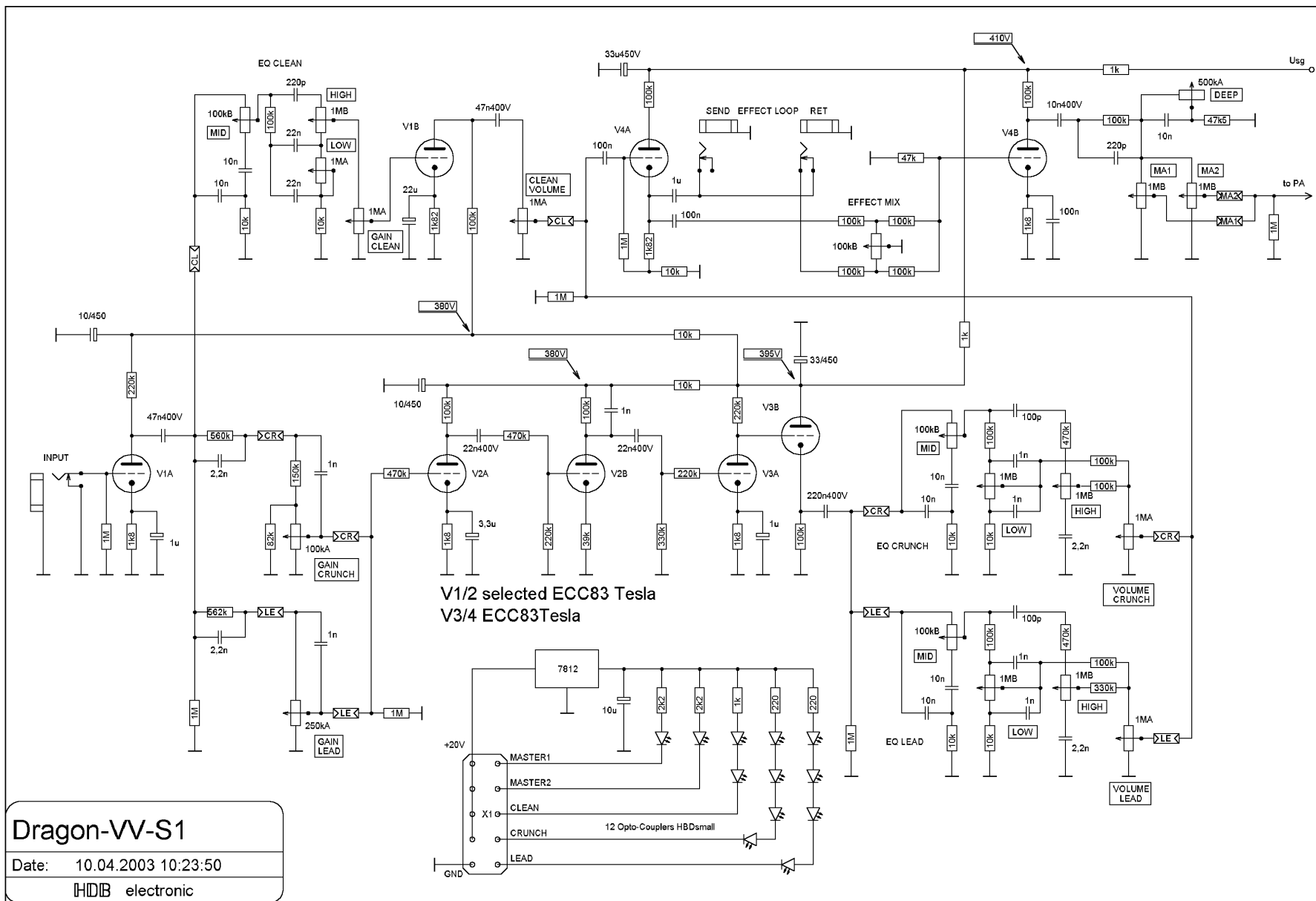
Dragon-3 since 5/03, Serial-Nr.: F?????

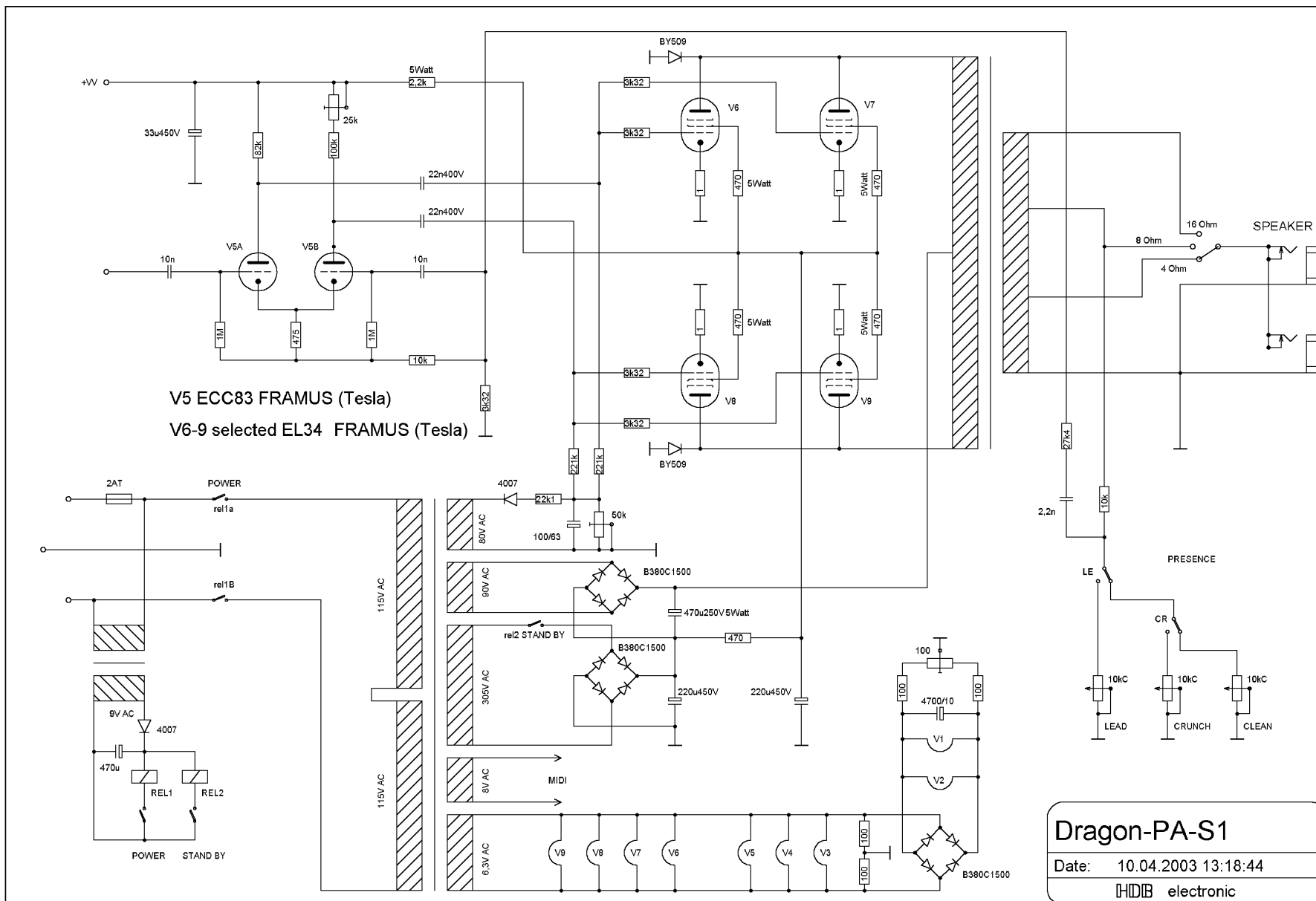
- New optocouplers, new PCB layouts

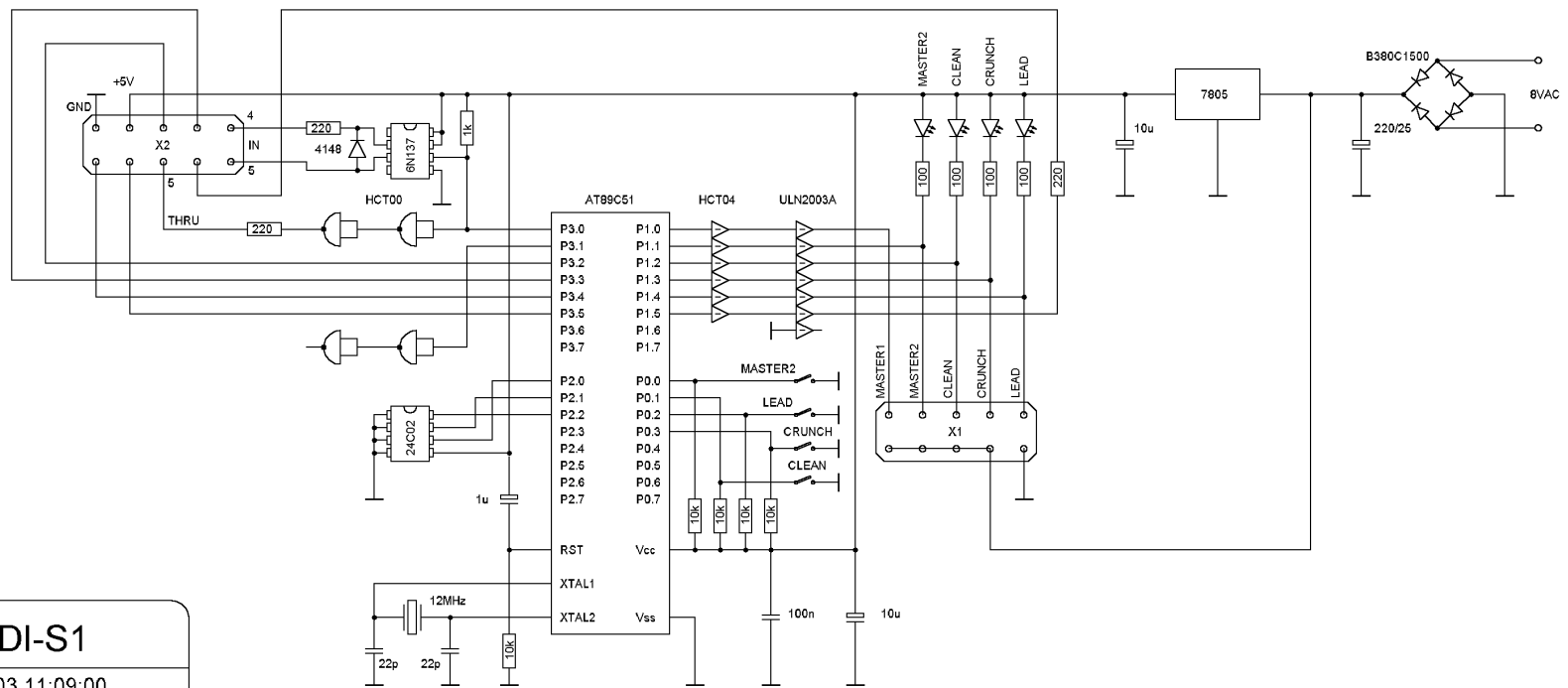
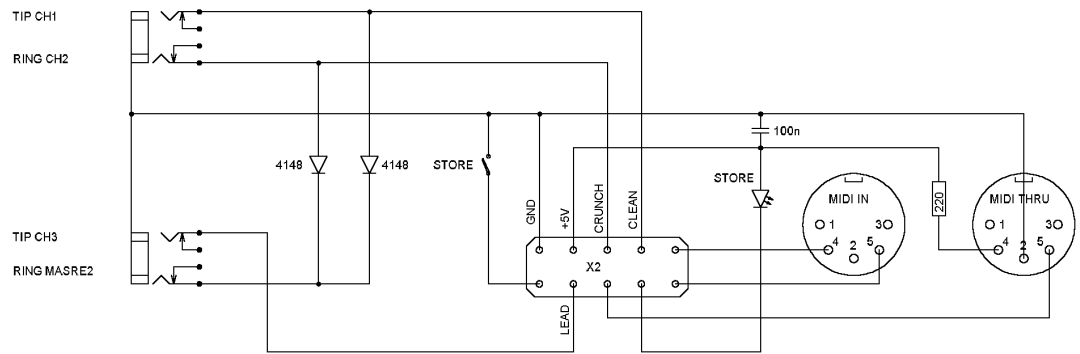
[PreAmp schematic](#) [PreAmp board](#)

[PowerAmp schematic](#) [Rectifier, eff-loop, PA boards](#)

[MIDI schematics](#) [MIDI boards](#)







Dragon-MIDI-S1

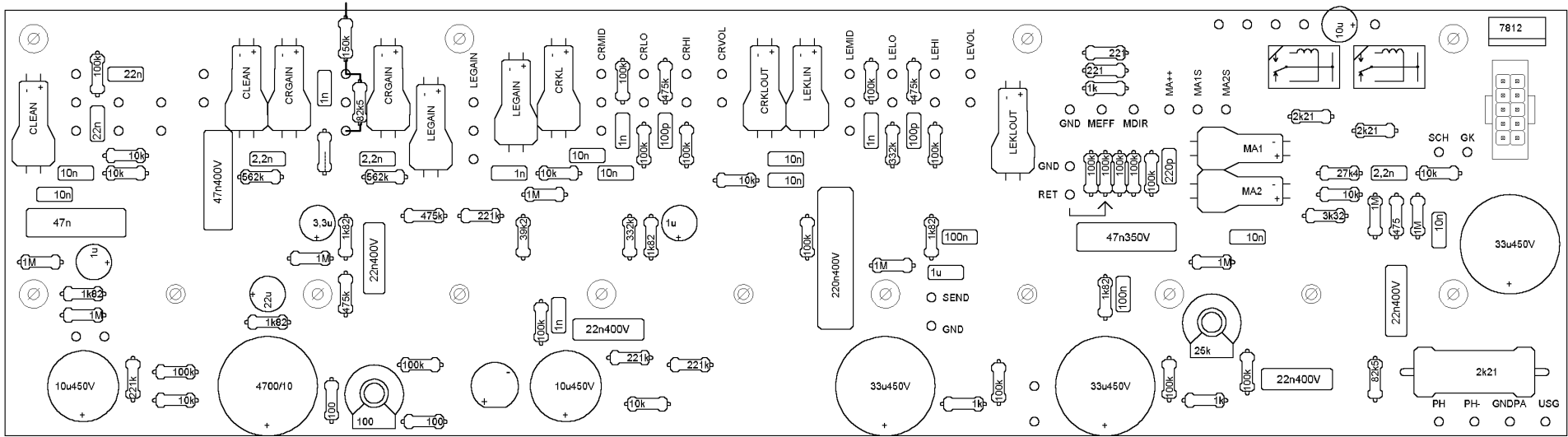
Date: 10.04.2003 11:09:00

HIDB electronic

Dragon-VV-B1

Draw: 10.04.2003 12:43:56

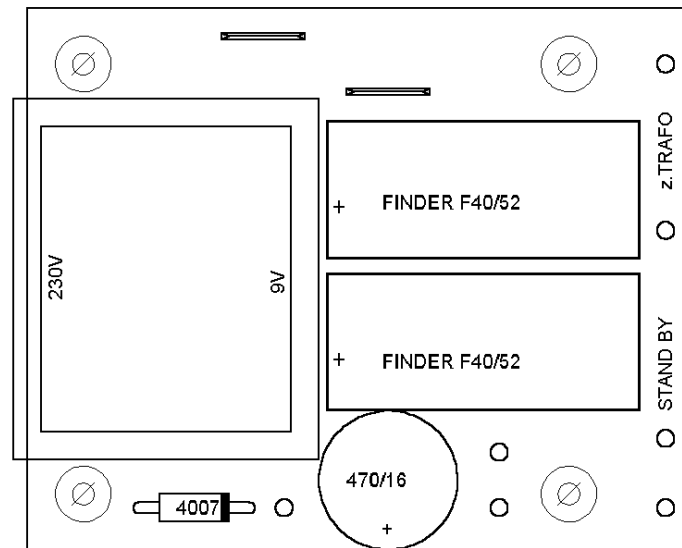
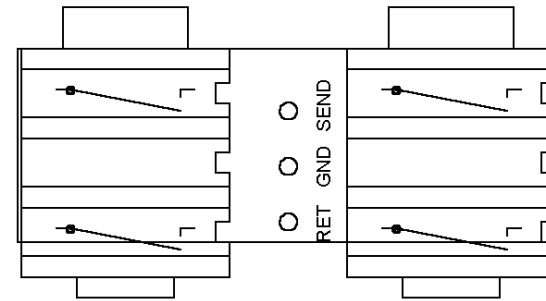
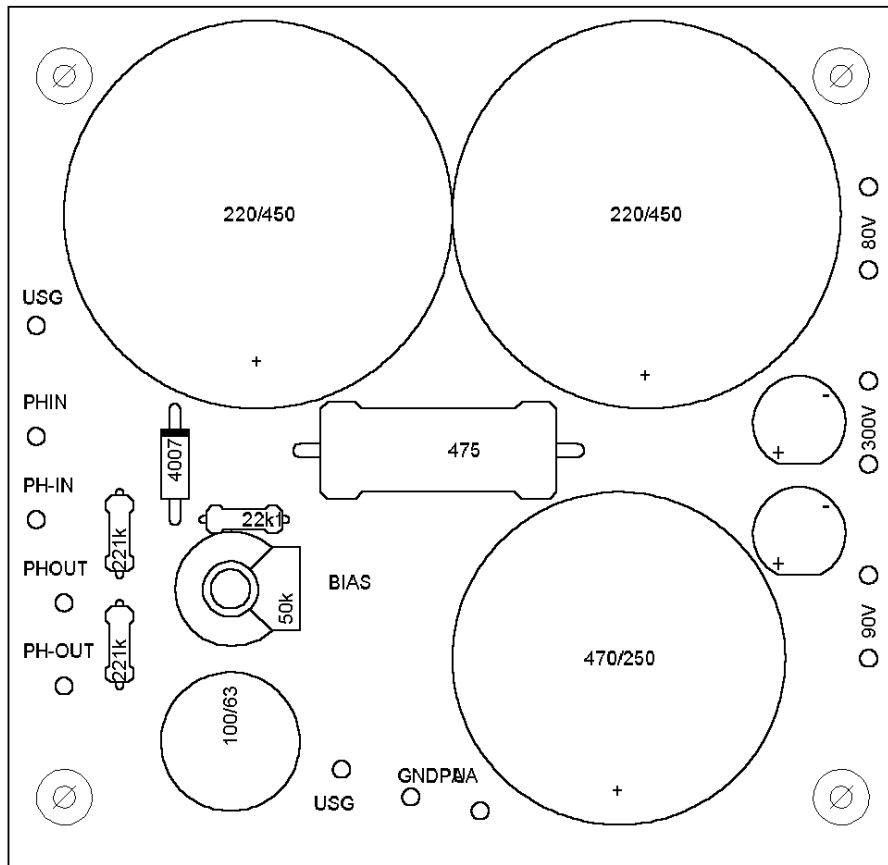
HDB electronic



Dragen-DIV-B1

Draw: 10.04.2003 13:52:22

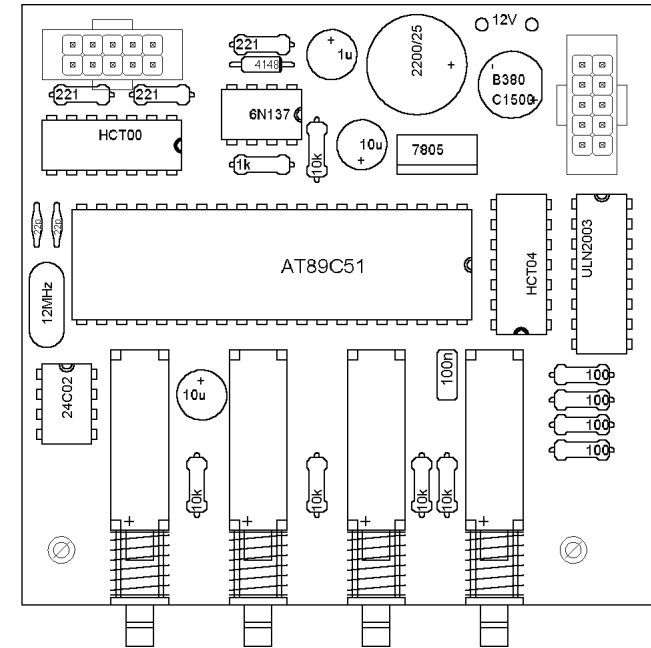
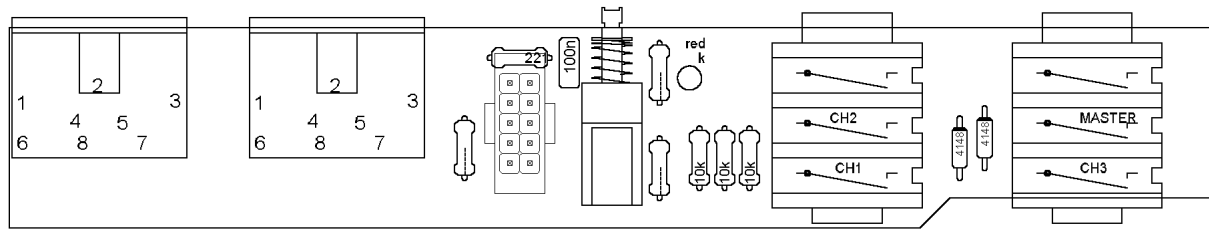
HDB electronic

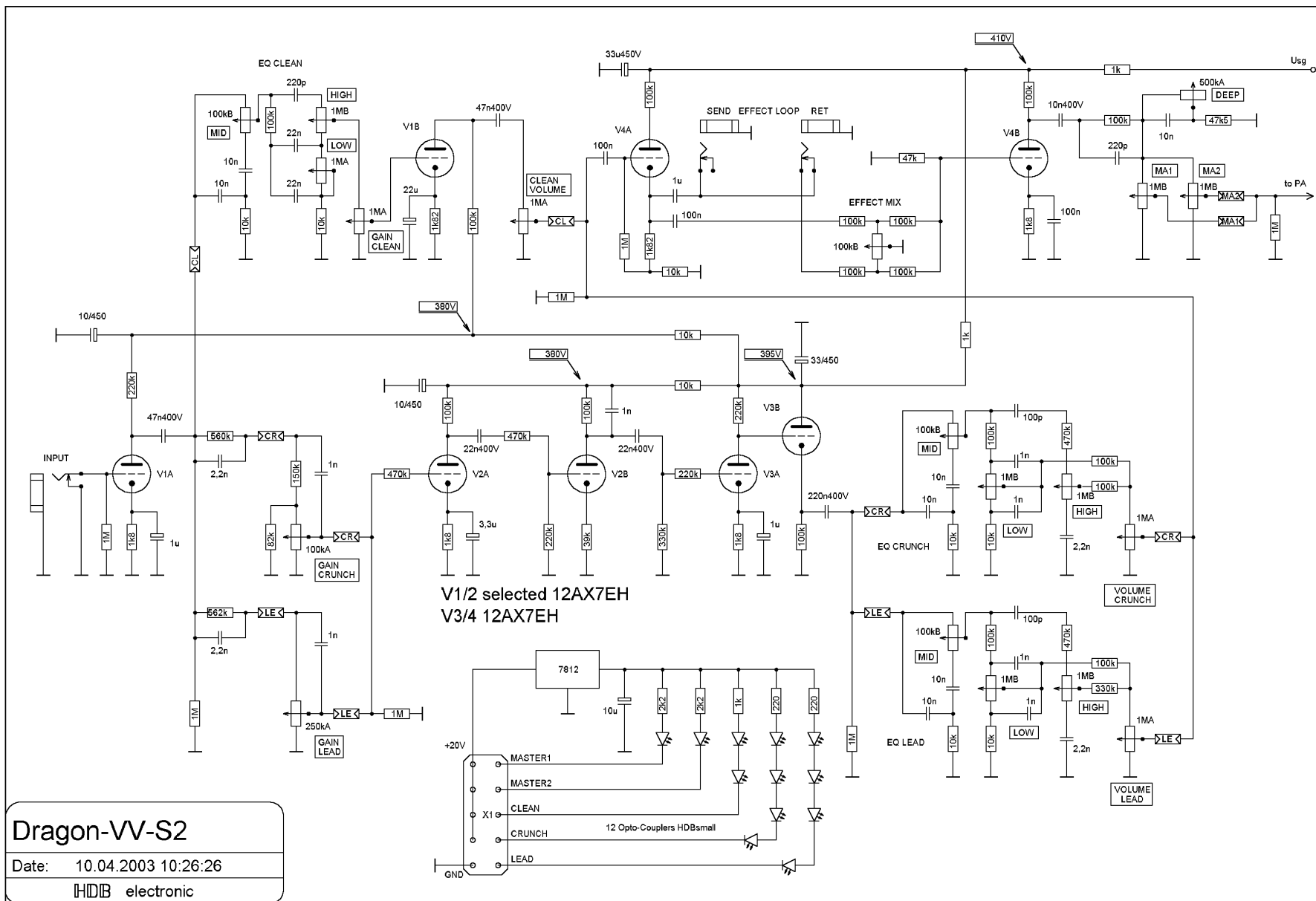


Dragon-MIDI-B1

Draw: 10.04.2003 13:55:20

HDB electronic

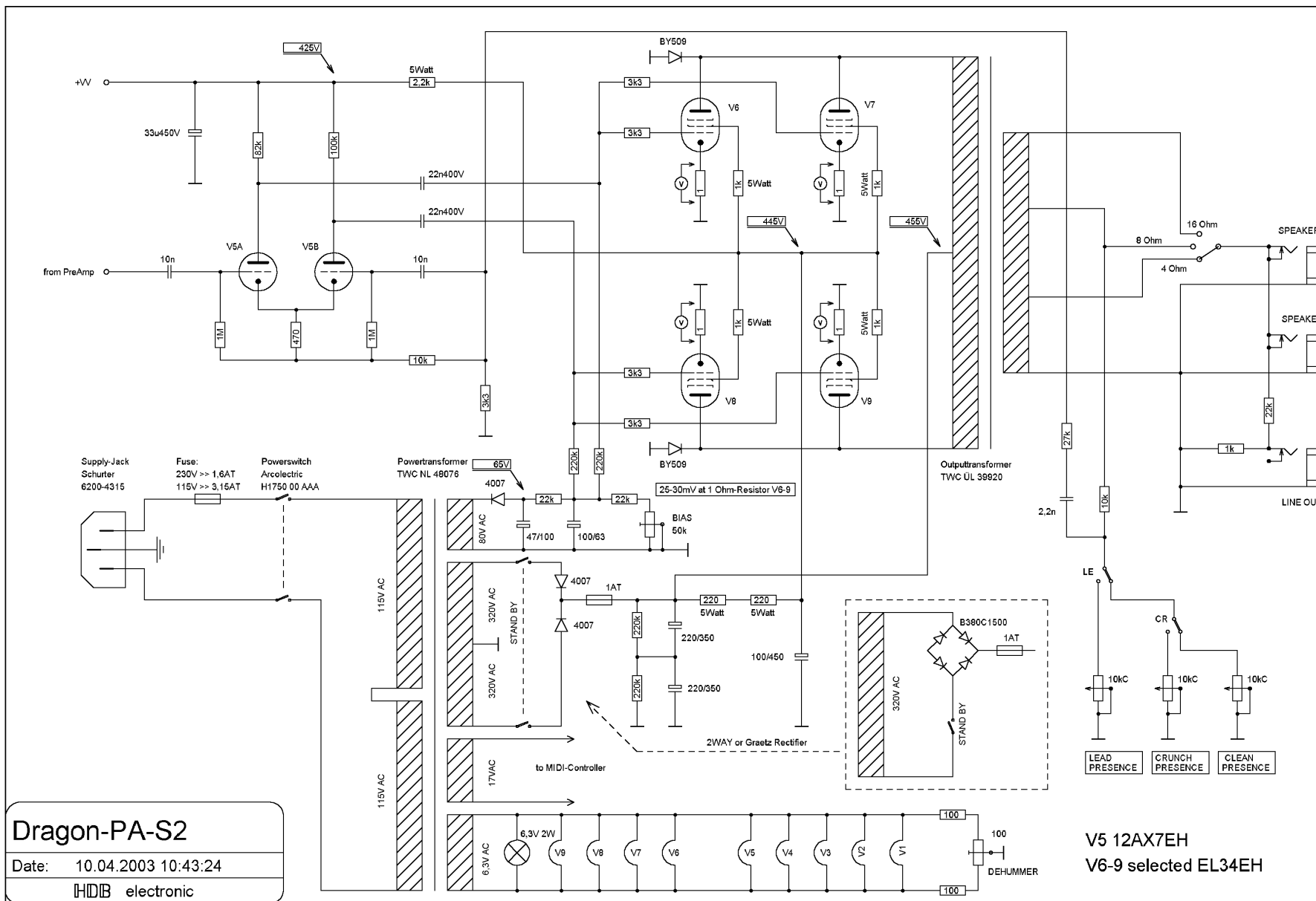




Dragon-VV-S2

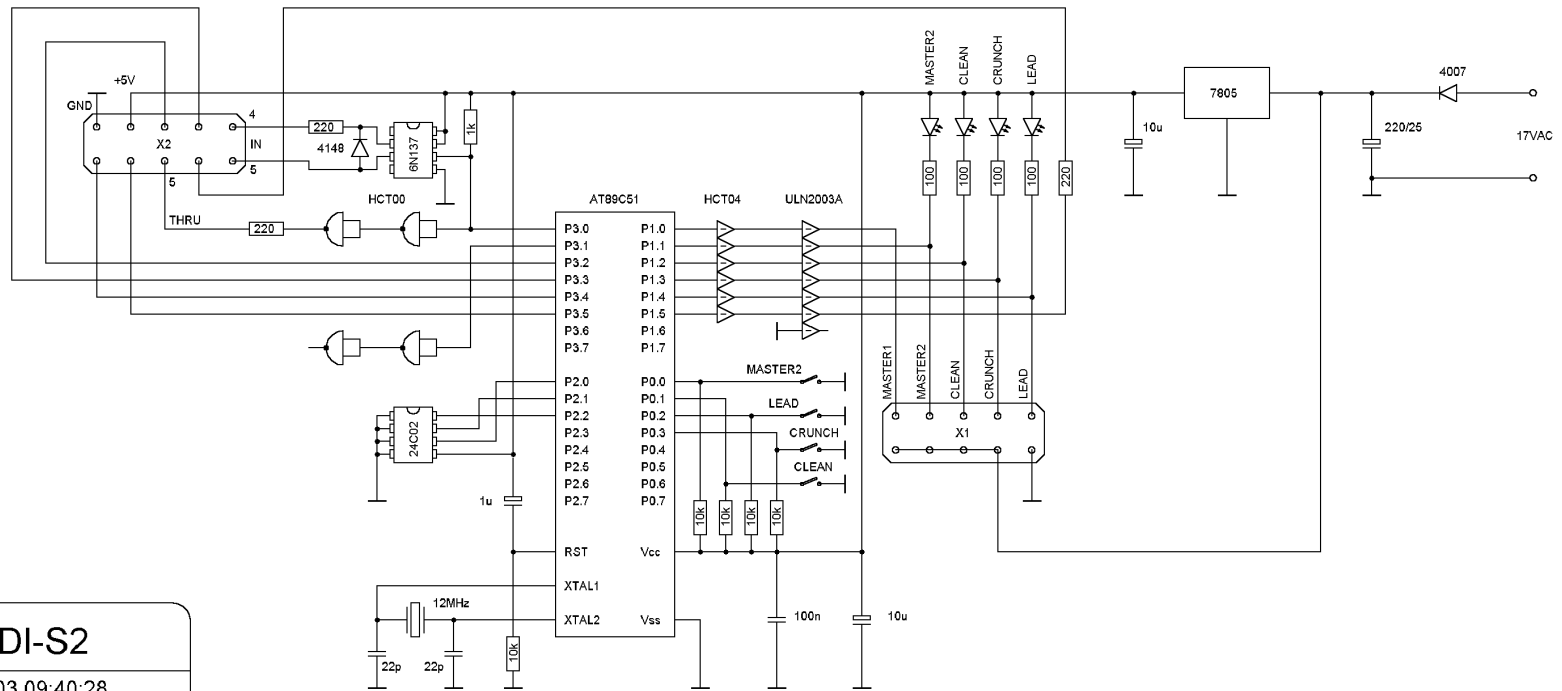
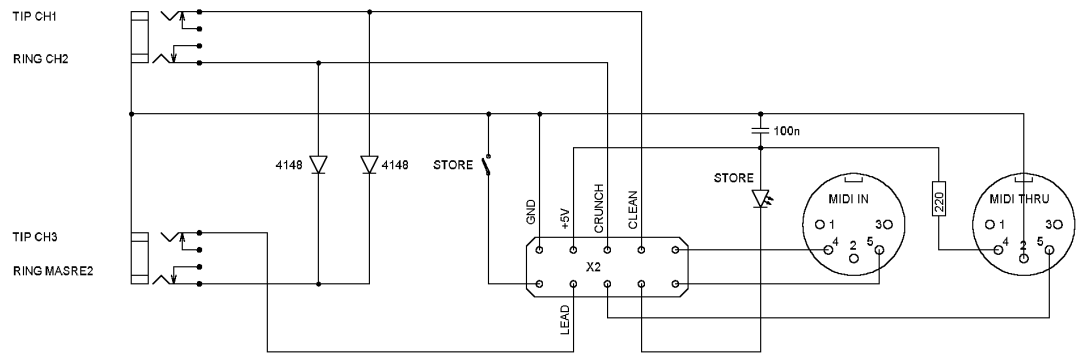
Date: 10.04.2003 10:26:26

HIDB electronic



Dragon-PA-S2
 Date: 10.04.2003 10:43:24
 HIDB electronic

V5 12AX7EH
 V6-9 selected EL34EH

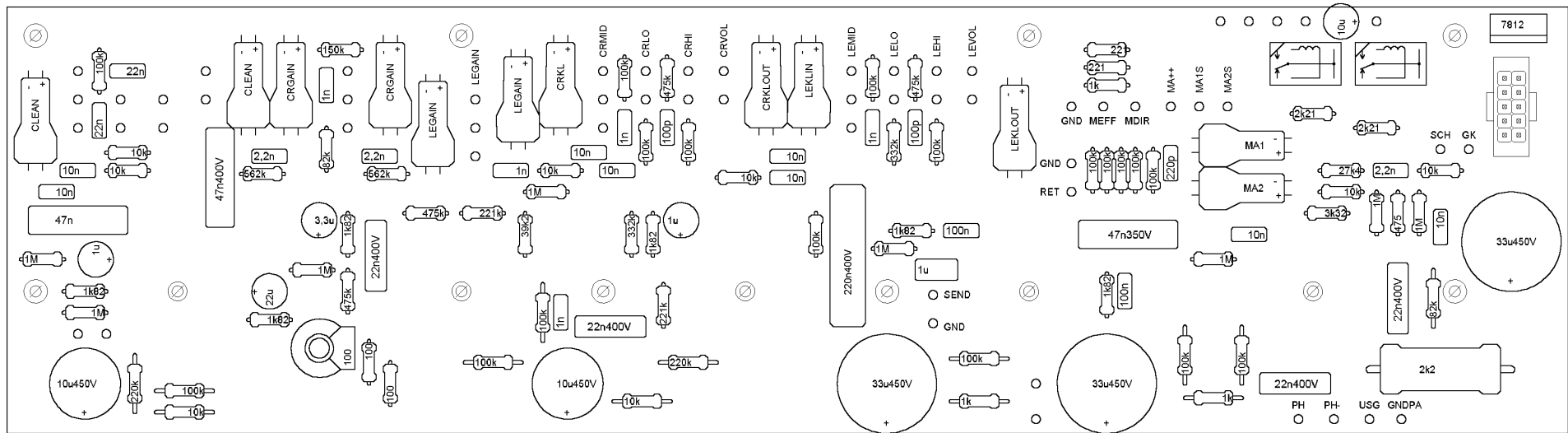


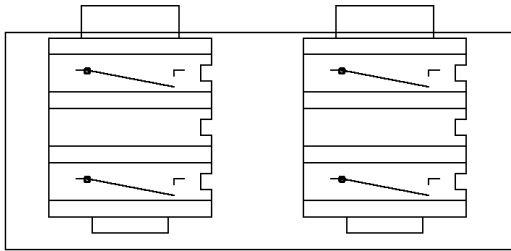
Dragon-MIDI-S2
 Date: 31.03.2003 09:40:28
 HIDB electronic

Dragon-VV-B2

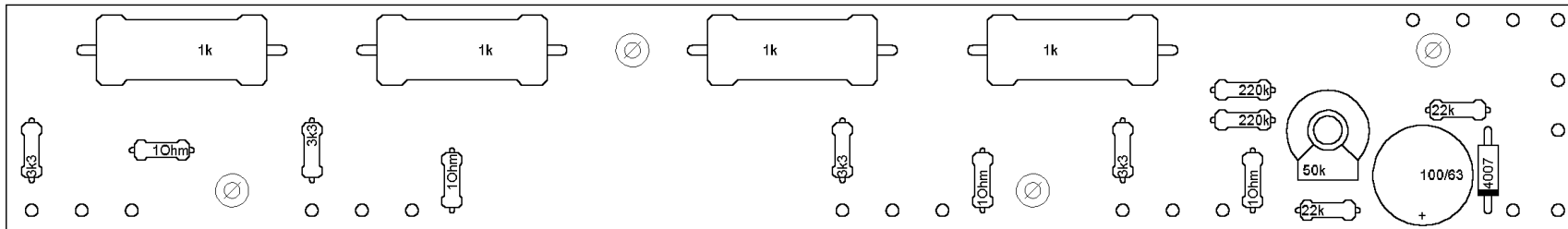
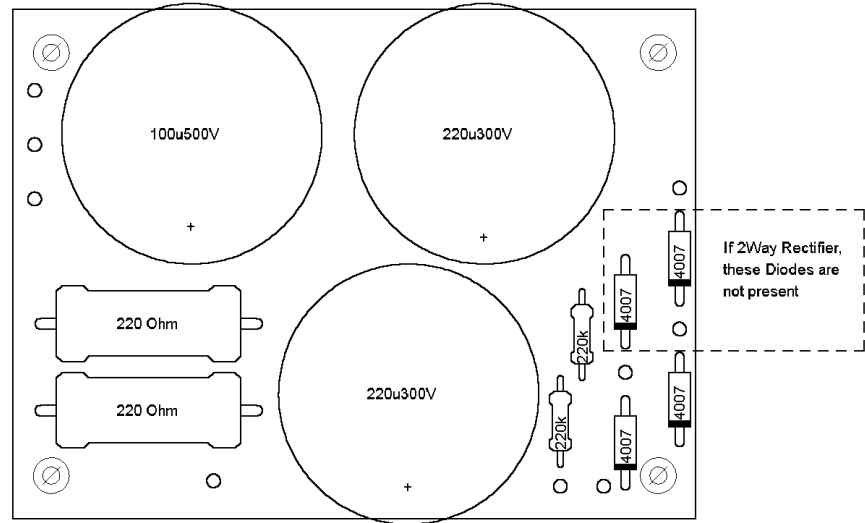
Draw: 10.04.2003 14:01:26

HDB electronic





Dragon-DIV-B2
 Draw: 11.04.2003 07:46:48
 HDB electronic

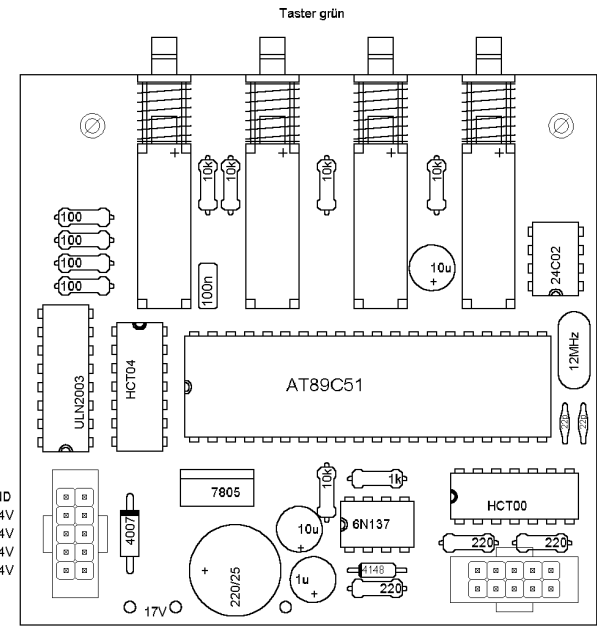
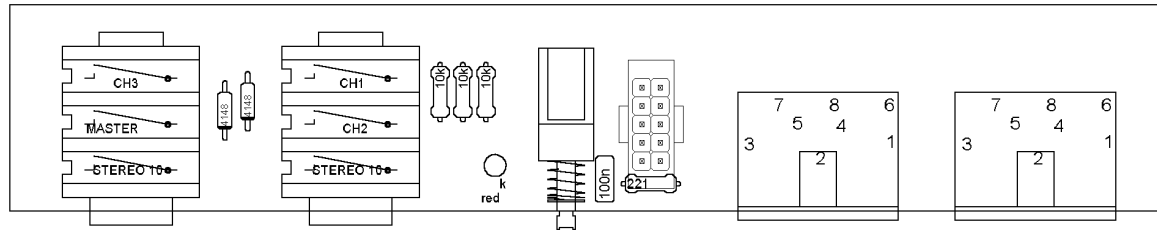


Dragon-MIDI-B2

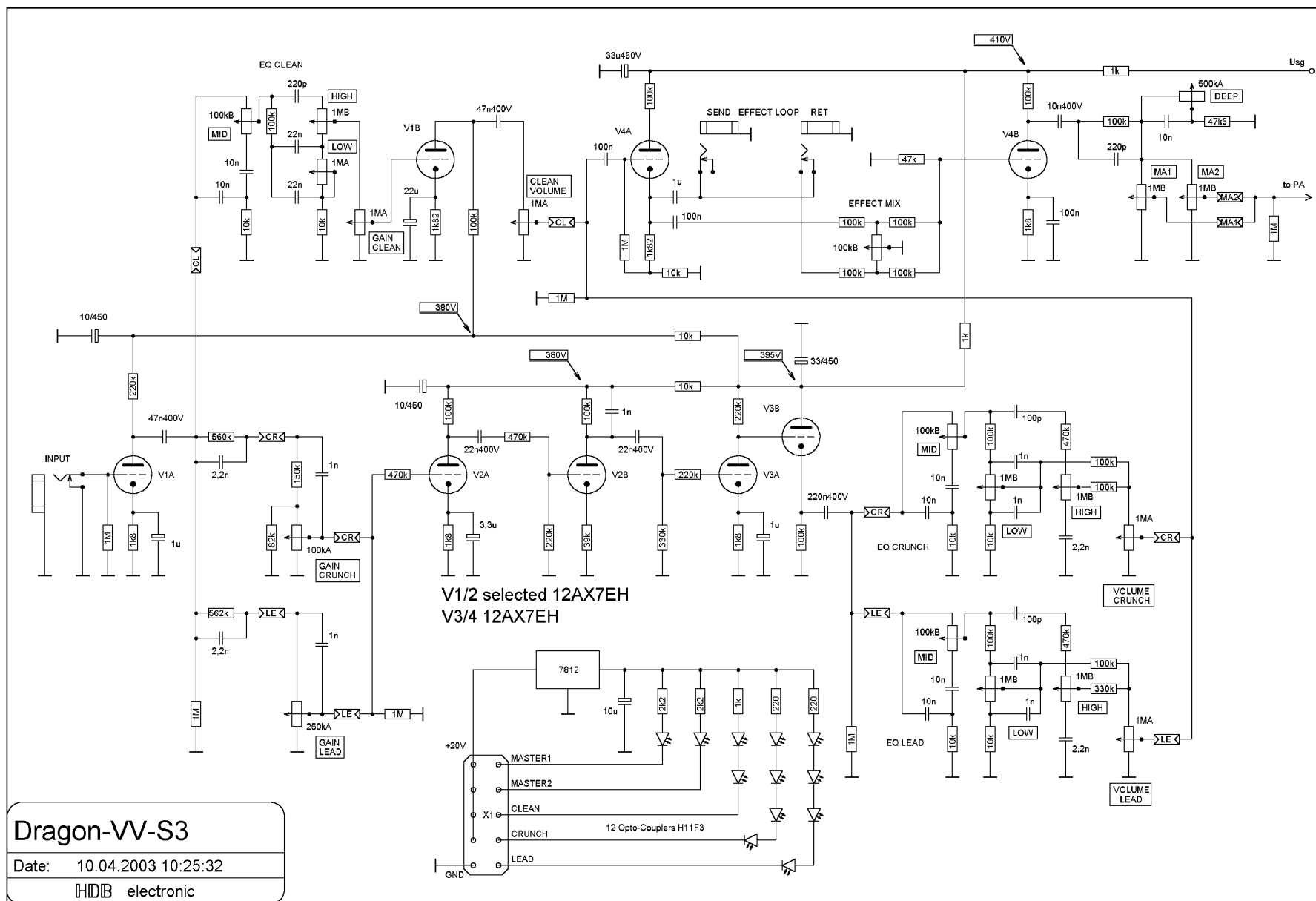
Draw: 31.03.2003 09:39:14

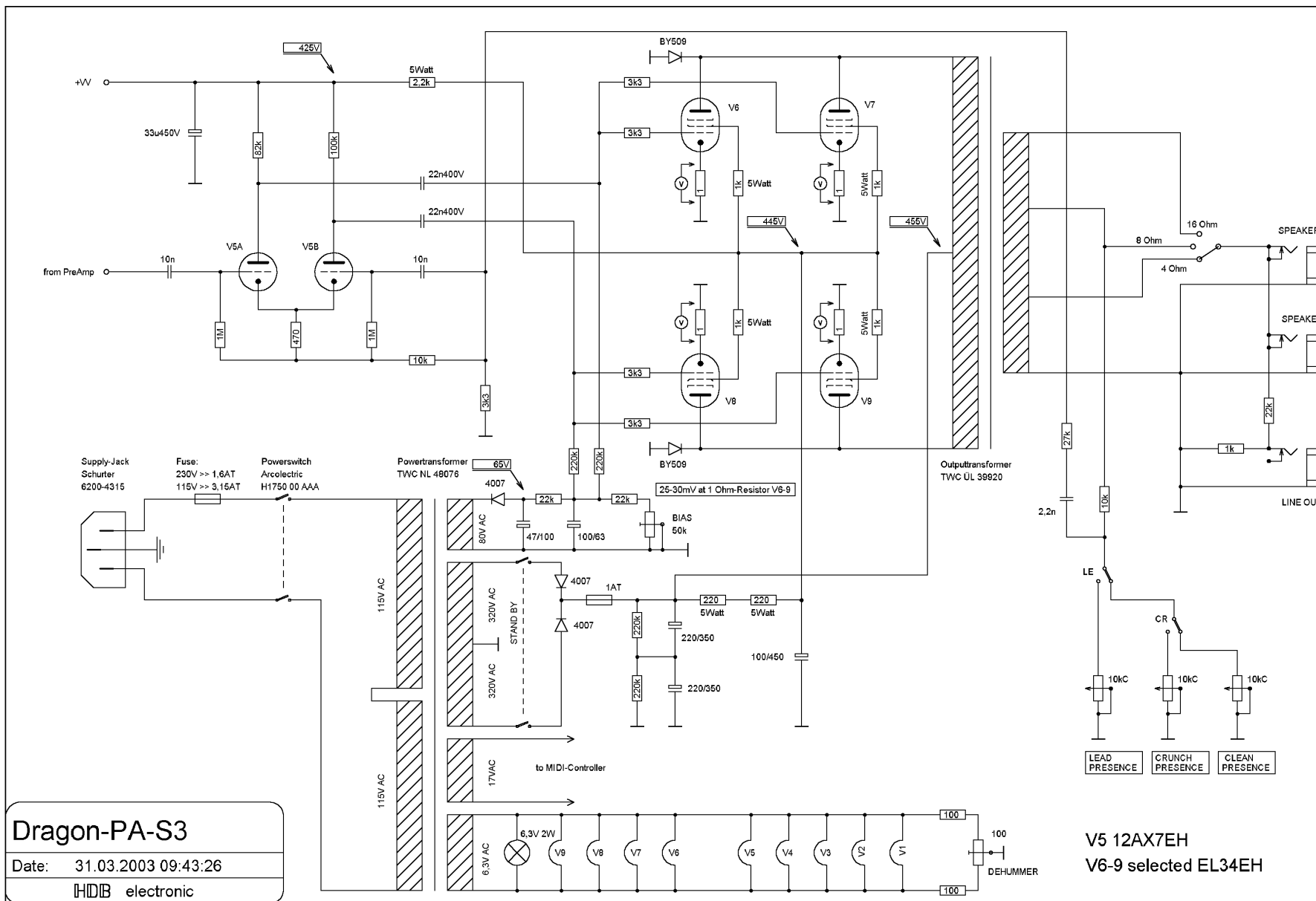
HDB electronic

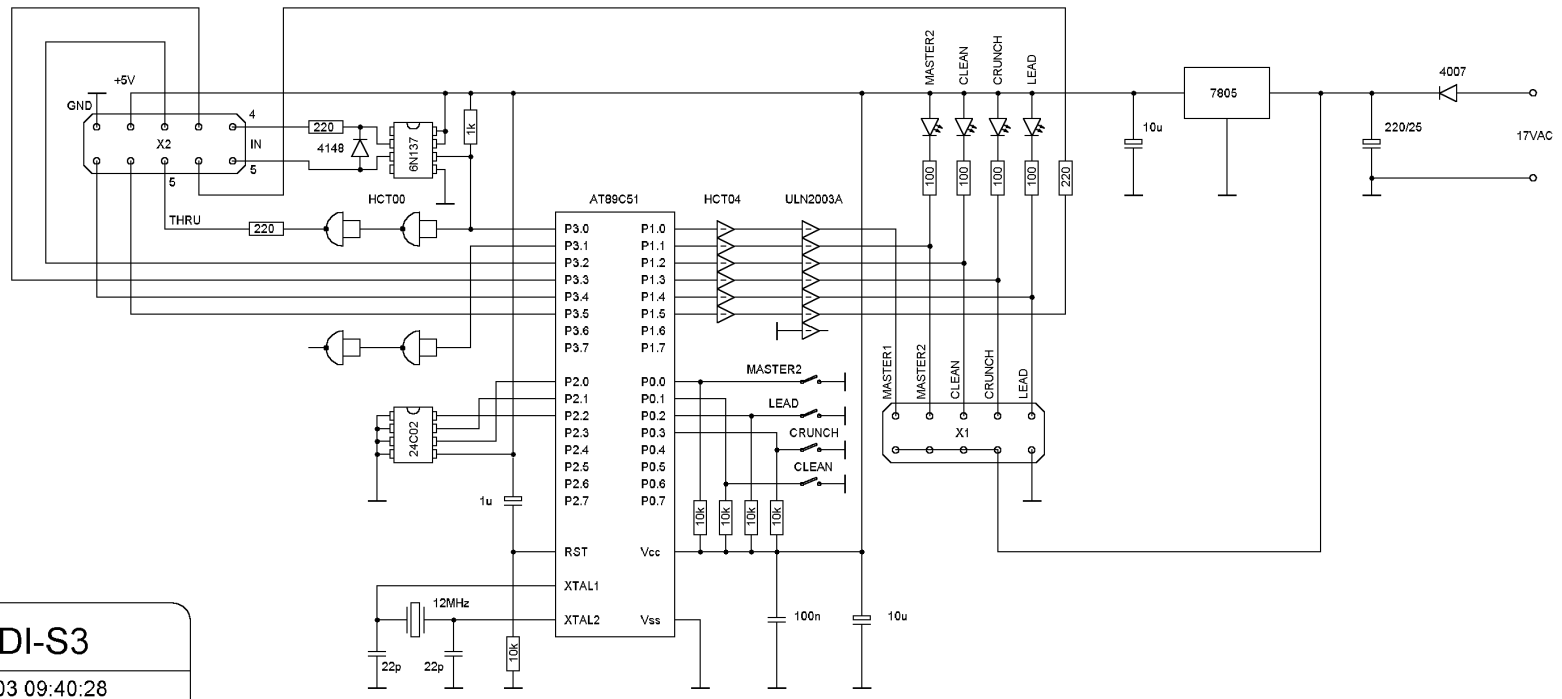
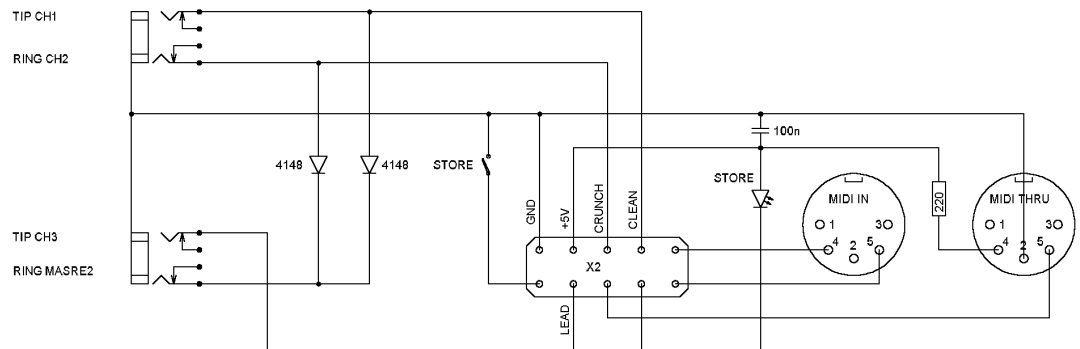
IN4 IN5
 CH1 LED
 CH2 THRU5
 +5V CH3
 GND SAVE



GND IN4
 +5V CH2
 CH3 THRU5
 LED CH1
 IN5





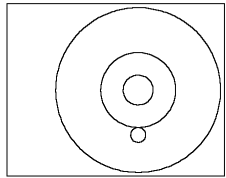
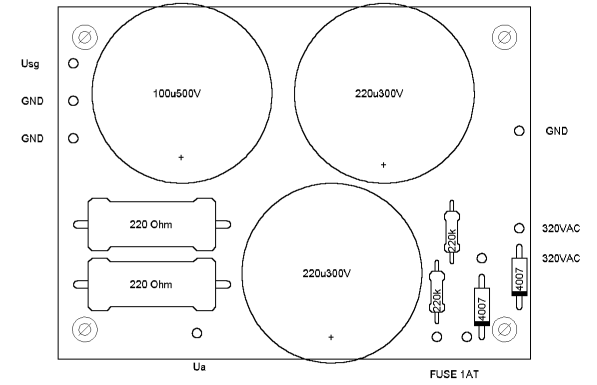
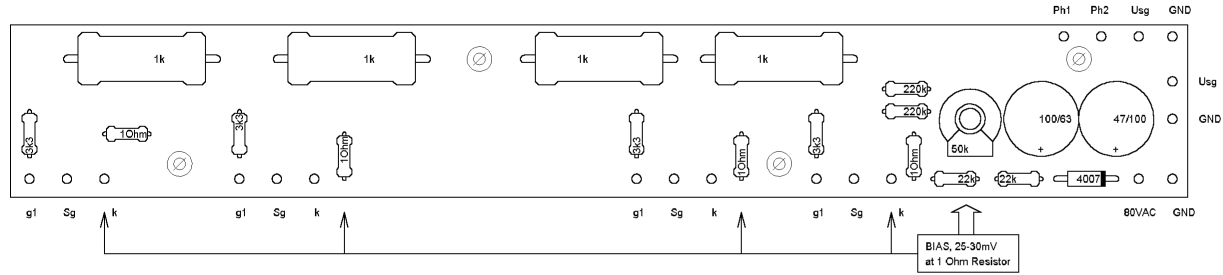


Dragon-MIDI-S3
 Date: 31.03.2003 09:40:28
 HIDB electronic

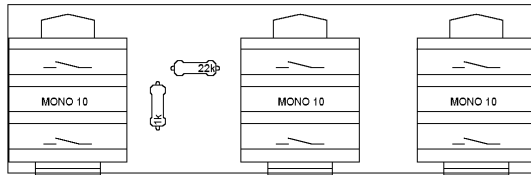
Dragon-DIV-B3

Draw: 31.03.2003 09:39:40

HDB electronic



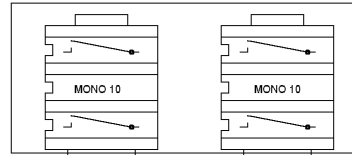
IMPEDANCE SELECT



LINE OUT

SPEAKER

SPEAKER



SEND

EFF LOOP

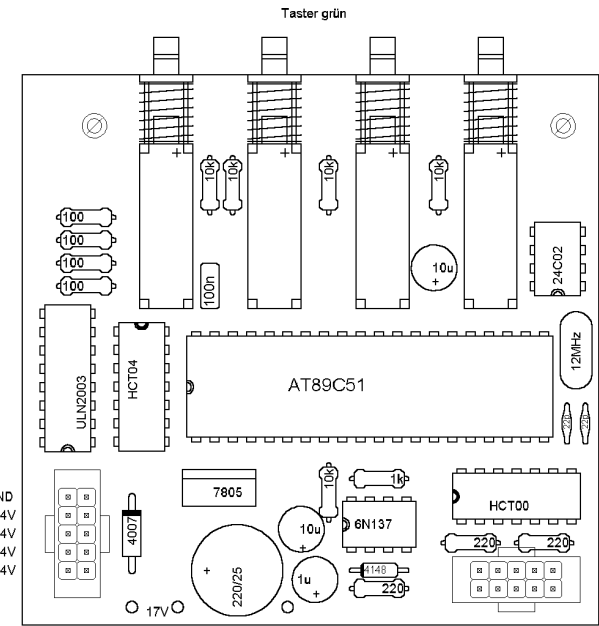
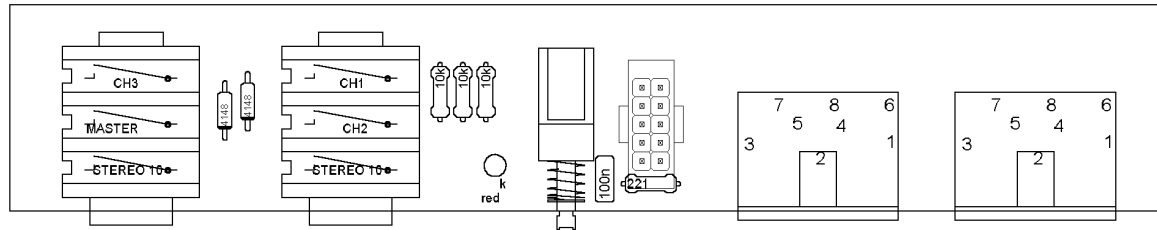
RET

Dragon-MIDI-B3

Draw: 31.03.2003 09:39:14

HDB electronic

IN4 IN5
 CH1 LED
 CH2 THRU5
 +5V CH3
 GND SAVE



LEAD GND
 CHRUNCH +24V
 CLEAN +24V
 MASTER2 +24V
 MASTER1 +24V

GND
 +5V
 CH2
 CH1
 LED
 IN5
 IN4