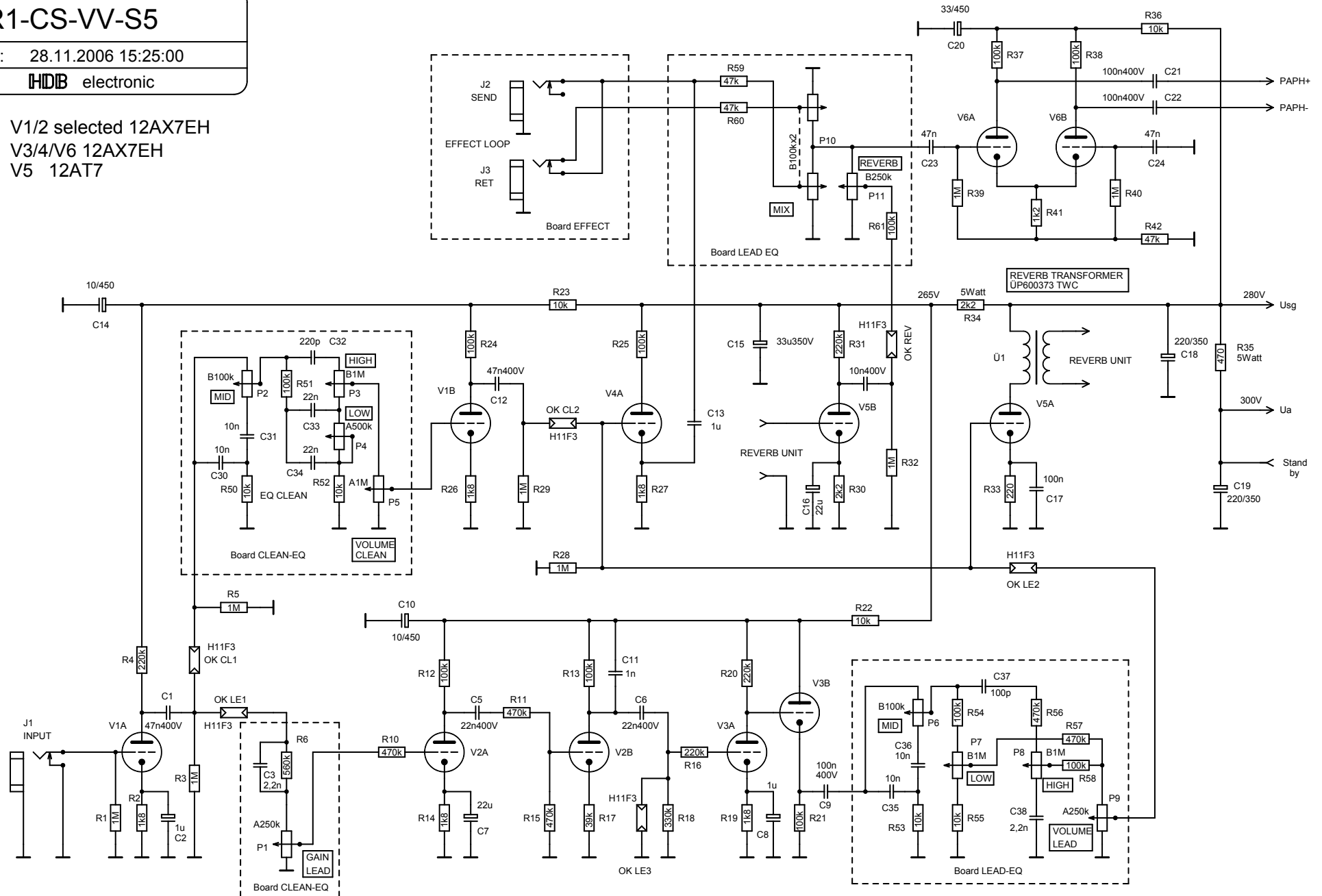


# RR1-CS-VV-S5

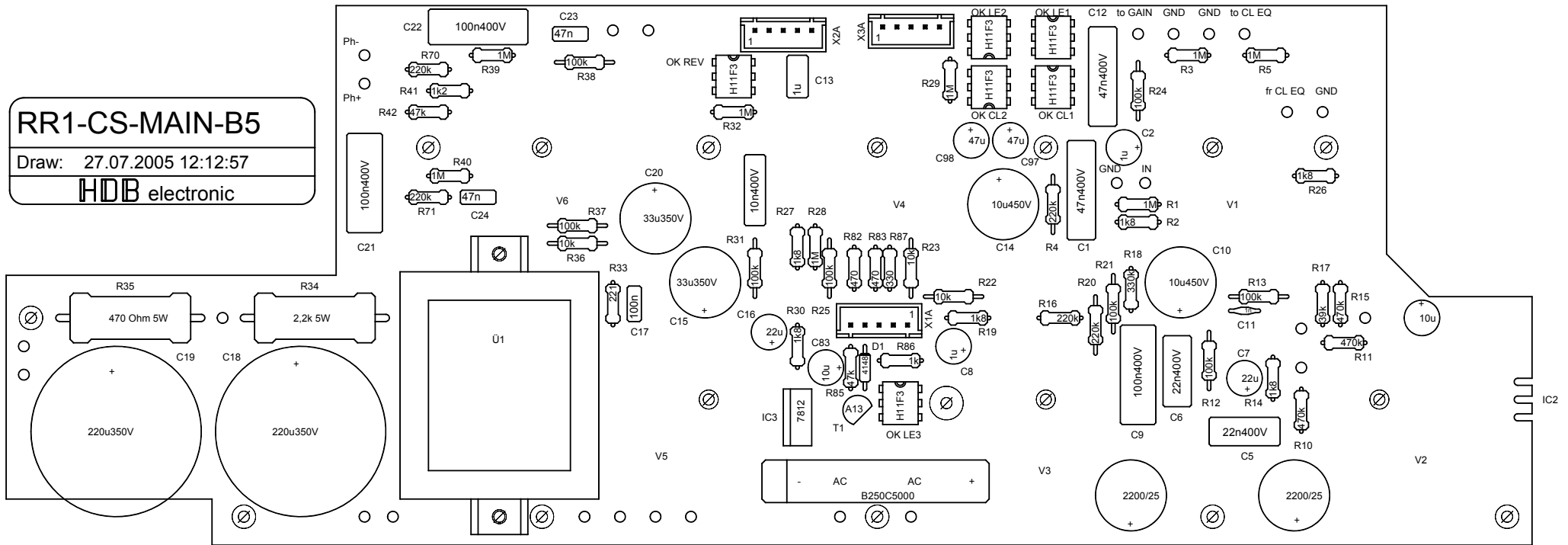
Date: 28.11.2006 15:25:00

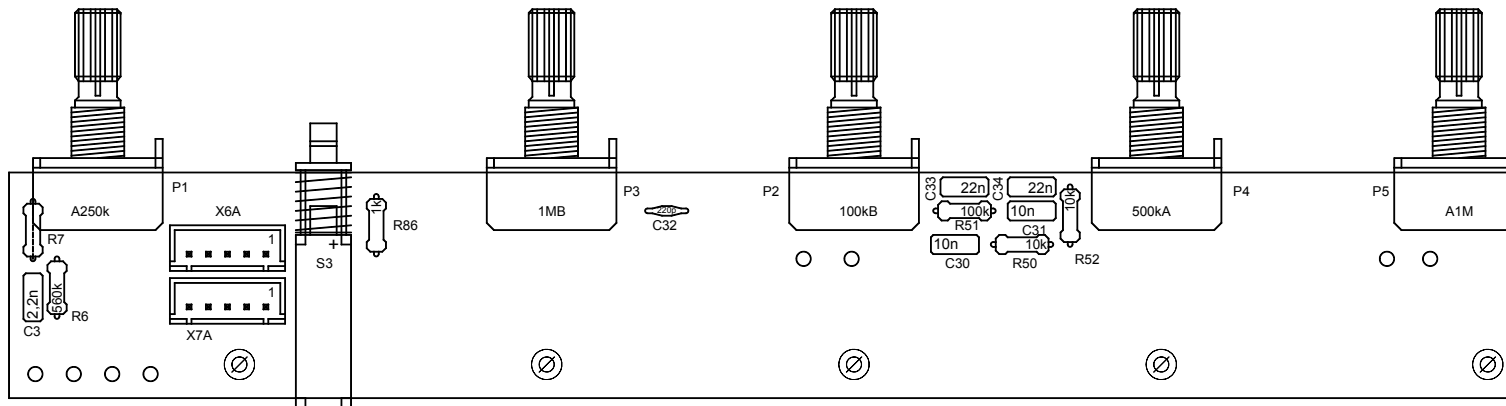
HDB electronic

V1/2 selected 12AX7EH  
V3/4/V6 12AX7EH  
V5 12AT7



**RR1-CS-MAIN-B5**  
Draw: 27.07.2005 12:12:57  
HDB electronic

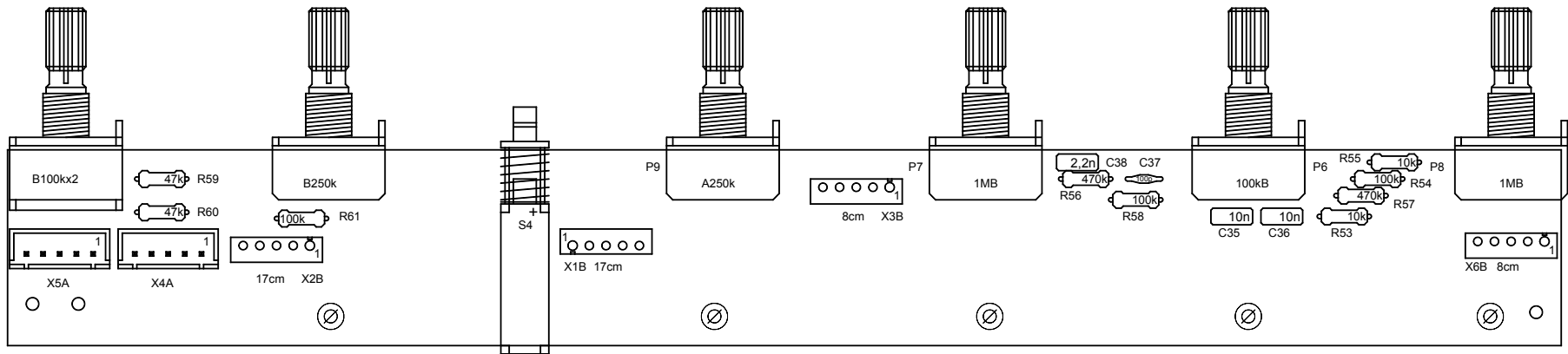




RR1-CS-CLEAN-B5

Draw: 21.07.2005 12:35:10

HDB electronic



RR1-CS-LEAD-B5

Draw: 21.07.2005 12:34:46

HDB electronic

# RR1-CS-PA-S5 PA/NT

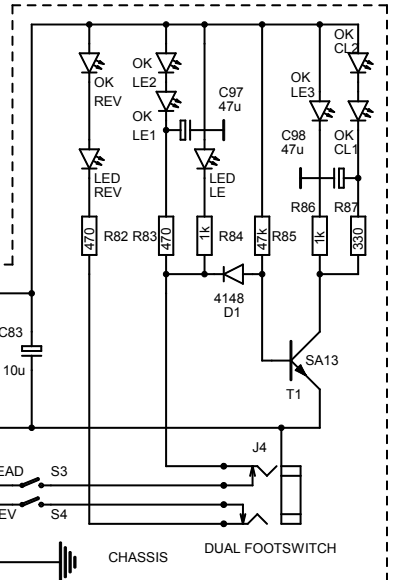
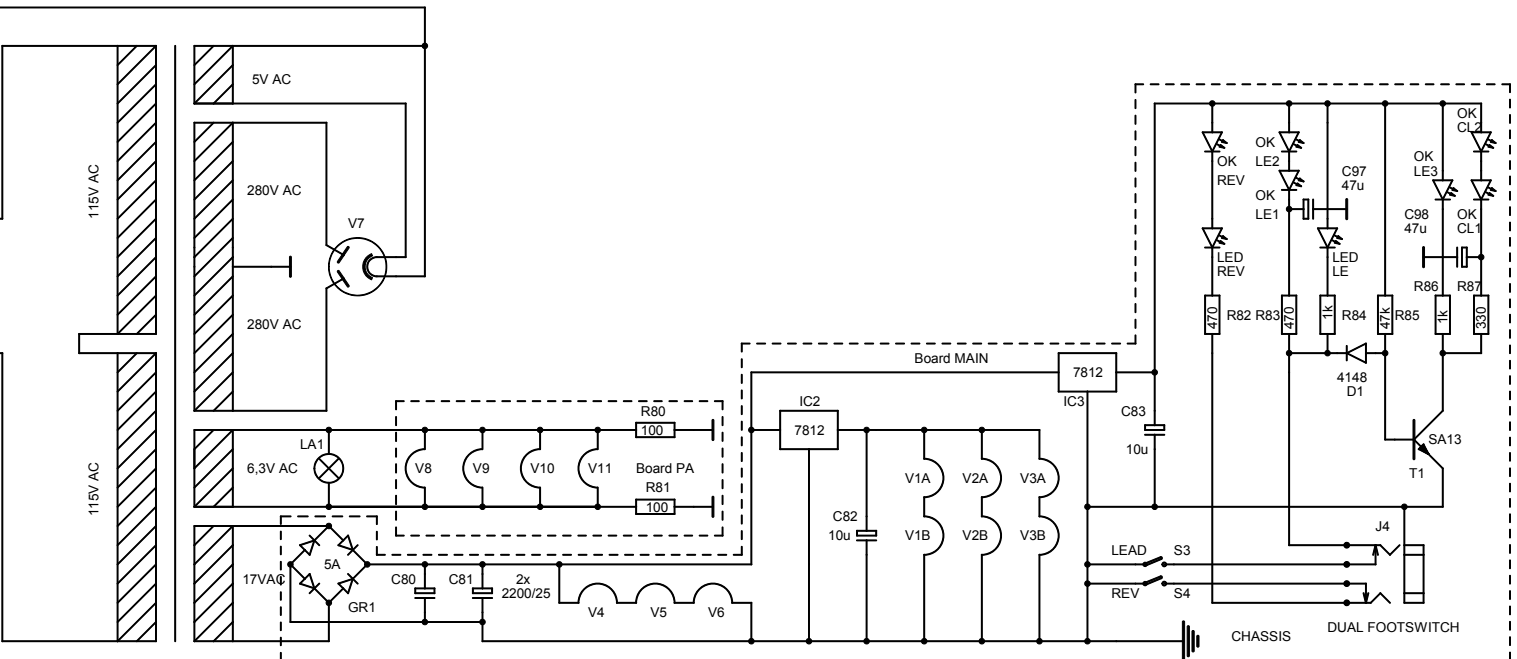
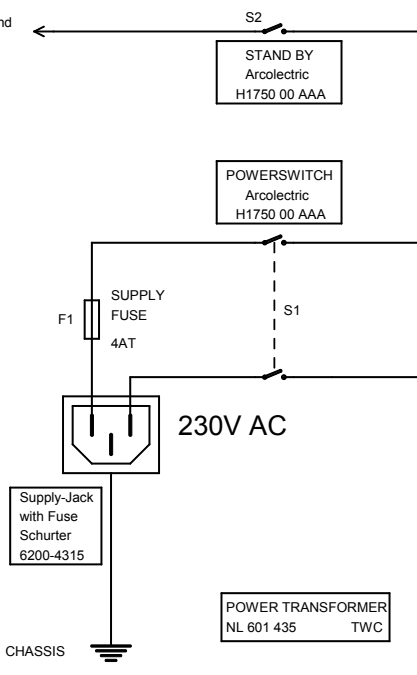
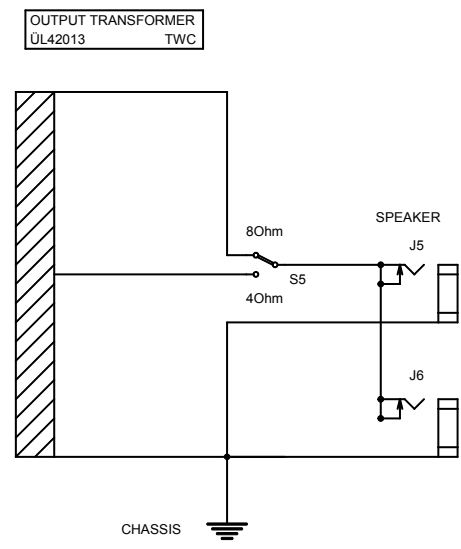
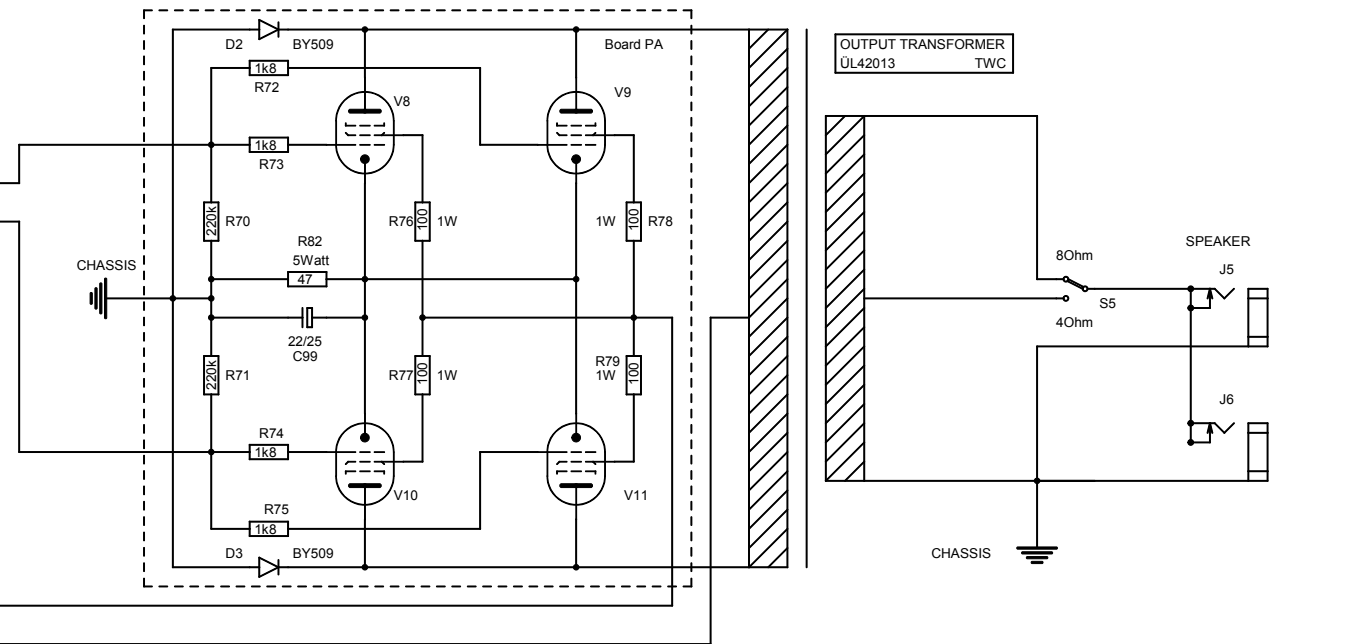
Date: 19.01.2006 08:04:18

HDB electronic

V7 GZ34  
V8-12 EL84

PAPH+  
PAPH-

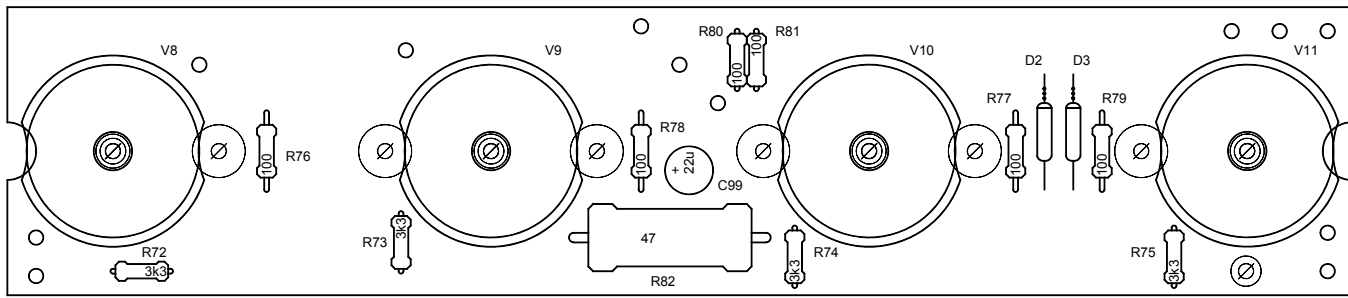
Usg  
Ua 300V  
Stand by



RR1-CS-PA-B5

Draw: 21.07.2005 12:40:01

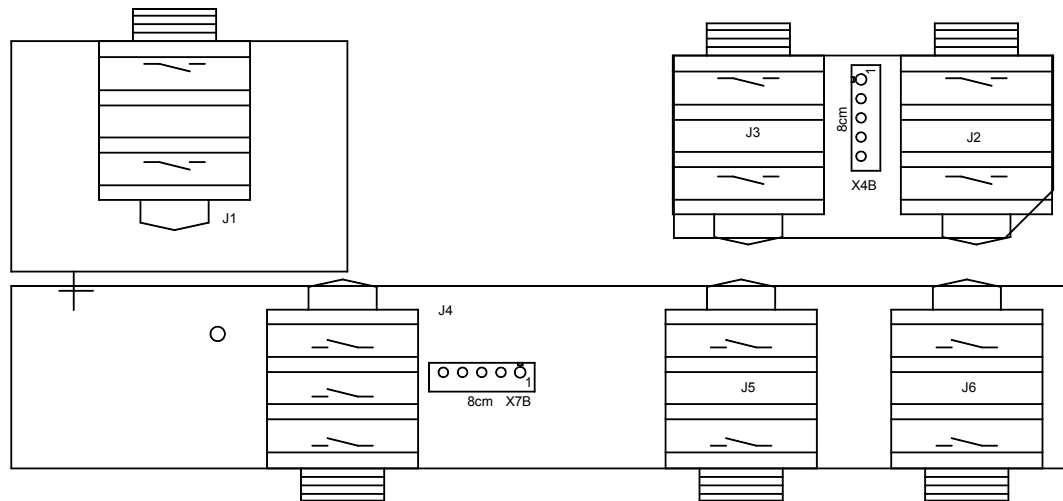
HDB electronic

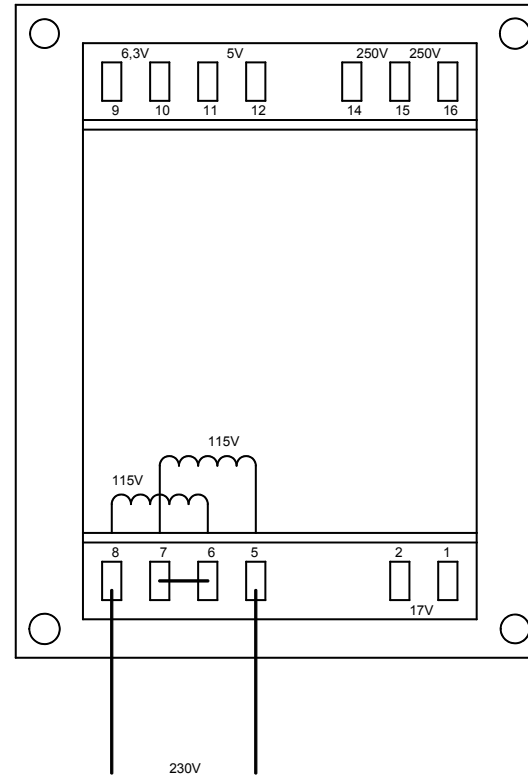
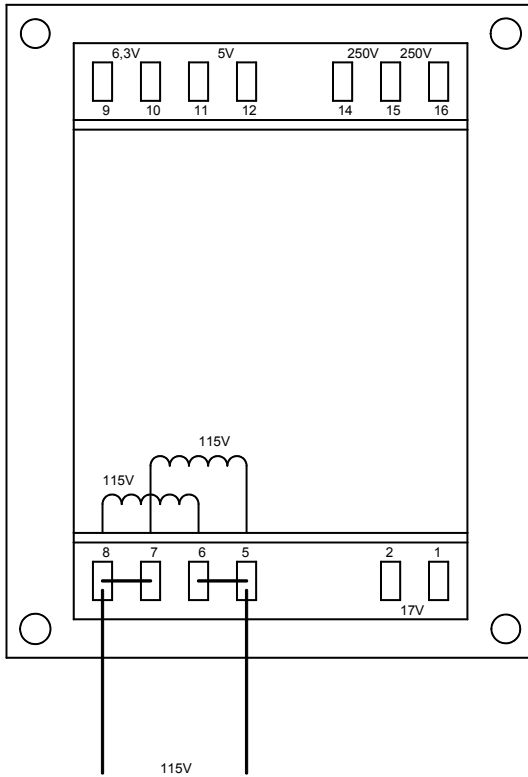


RR1-CS-CONN-B5

Draw: 21.07.2005 12:13:23

HDB electronic





RR1-CS-Trafo-S5

Date: 03.06.2005 05:59:56

HDB electronic