

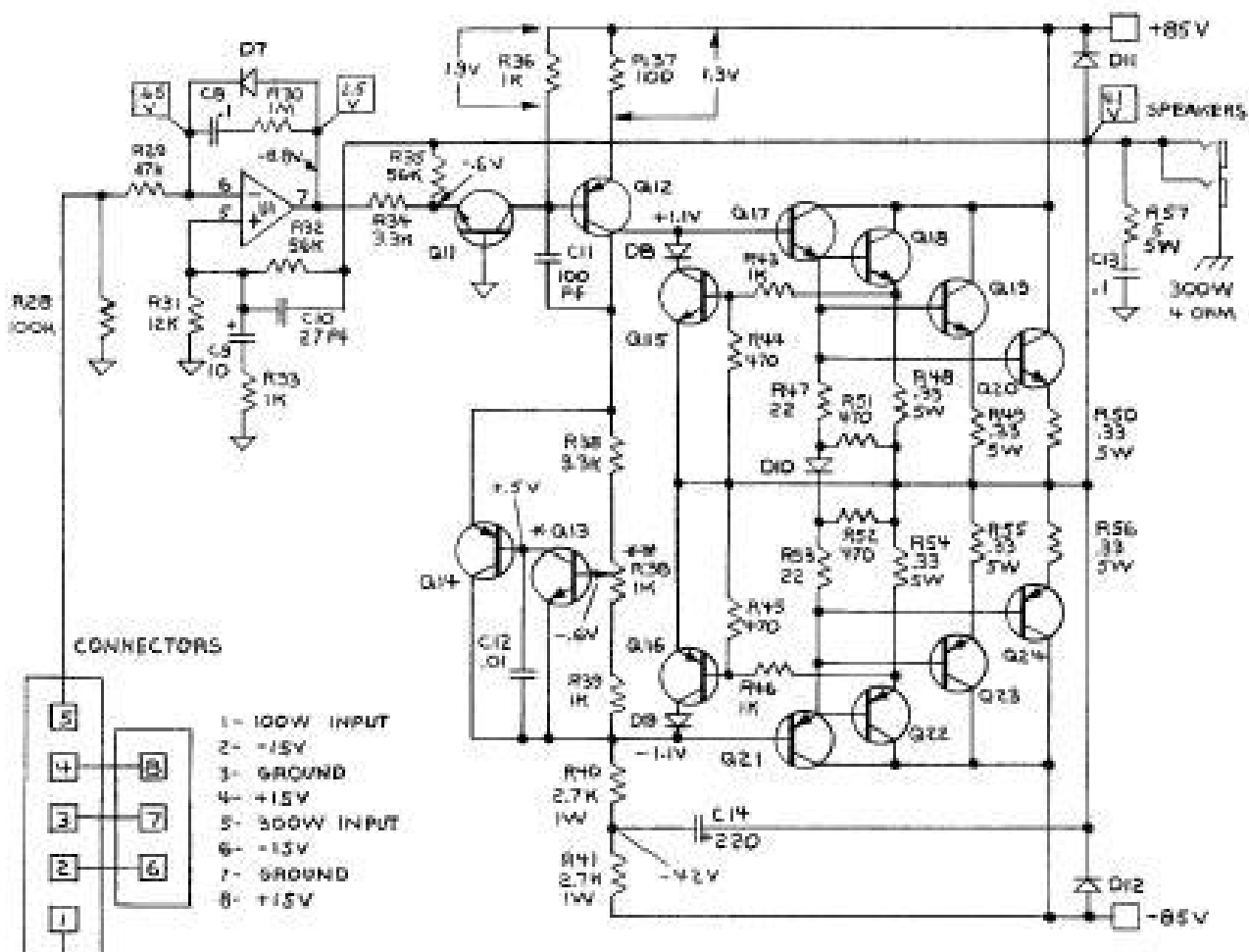
TEST CONDITIONS
 EMV, LOWER SIN
 AT INPUT

ALL TONE - 10
 ALL FILTERS OUT
 CROSSOVER - OUT
 ALL VOL - 10
 BOOST - 10
 ATTEN - OUT

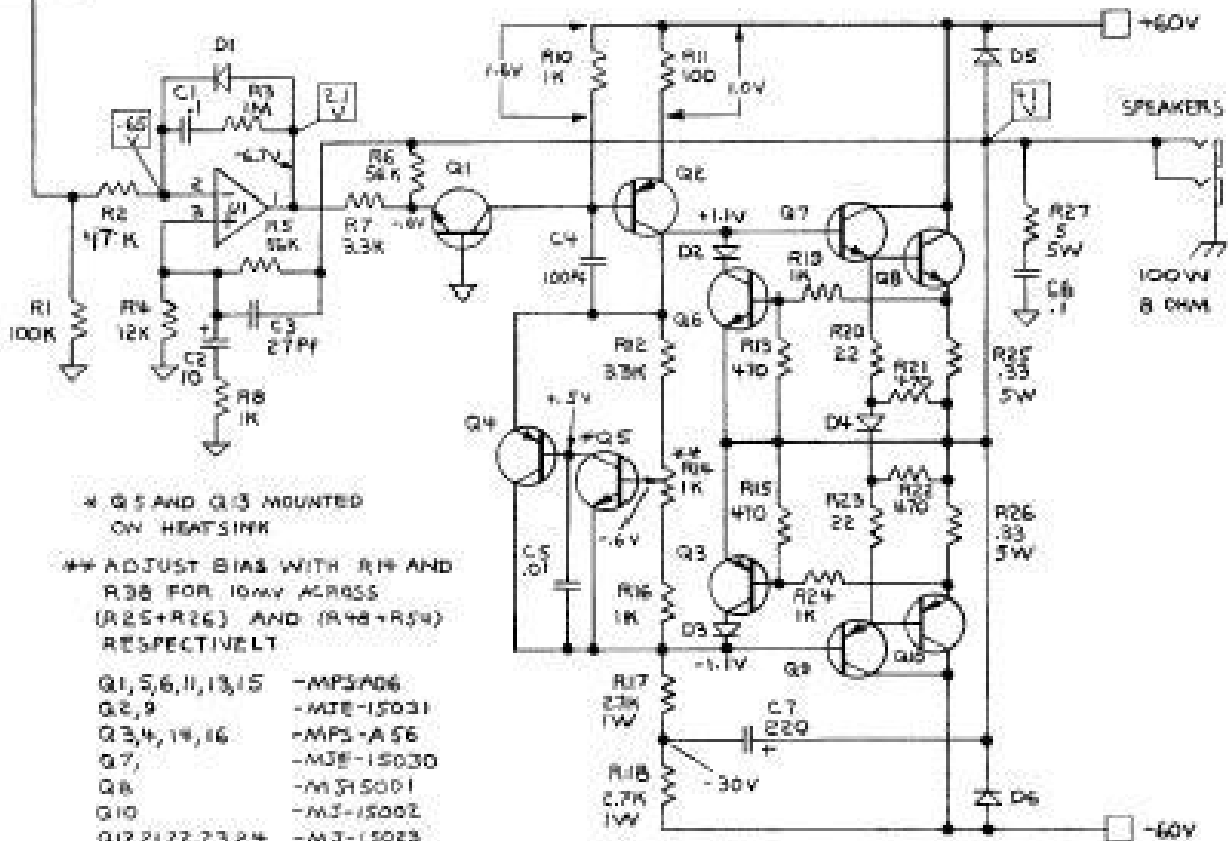
- U1, 2, 3, 5, 6 - LF353N
- U4 - TL604CP
- U7, 8 - LM3800N
- U3 - LF351N
- Q1 - 311B
- D1, 2, 3, 4 - 1N4159
- D5, 6 - MSL 50B86
- R20
- C20

ALL RESISTORS 1% W 5%, 01MS
 ALL CAPACITORS IN 2% UNLESS
 OTHERWISE SPECIFIED

10-18-82	GALLIEN-ARUEGIA
BOB GALLIEN	BOB RB PREAMP
SN-C102714	60045 A

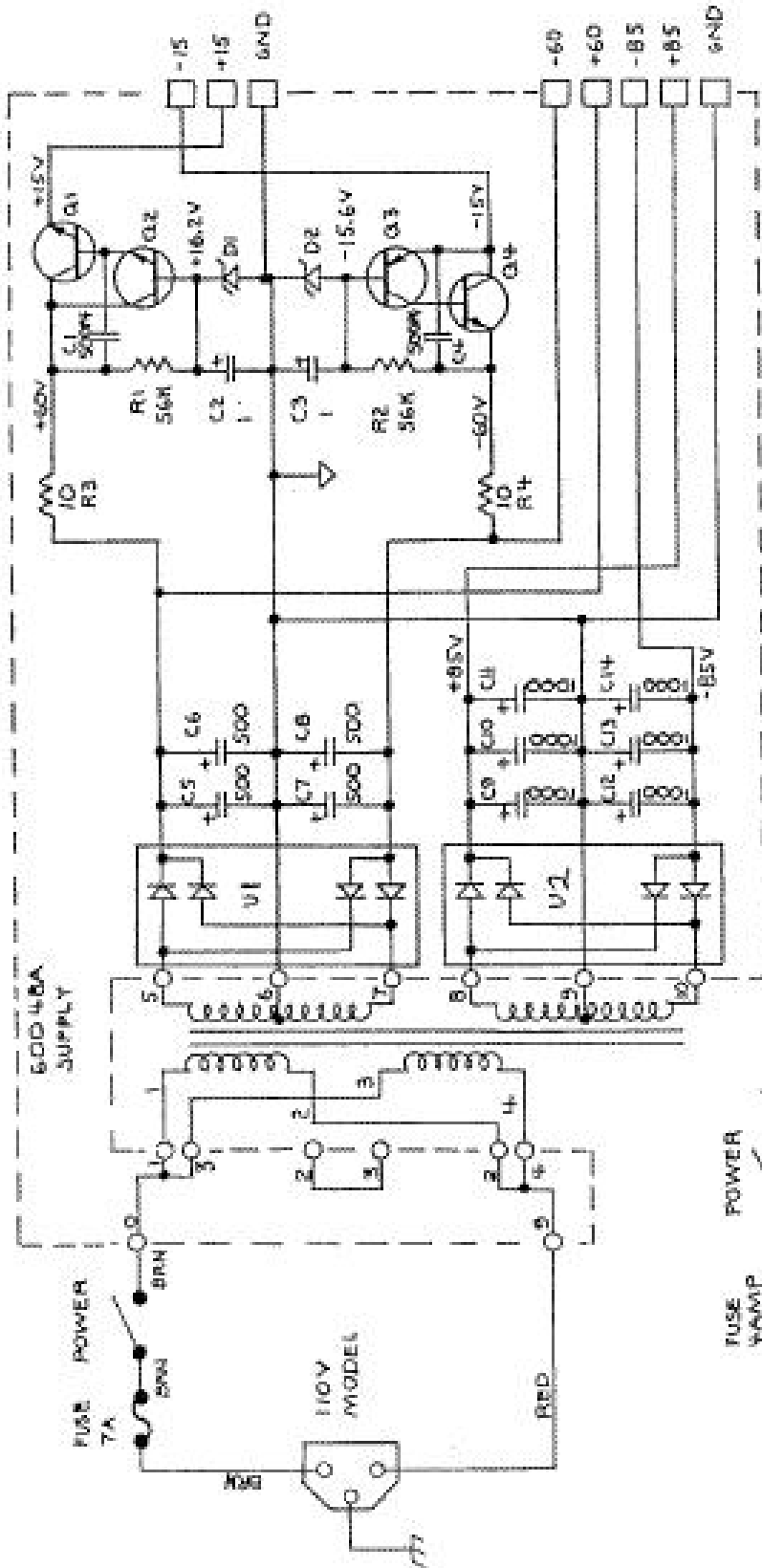


- CONNECTORS
- 1- 100W INPUT
 - 2- +15V
 - 3- GROUND
 - 4- +15V
 - 5- 300W INPUT
 - 6- -15V
 - 7- GROUND
 - 8- +15V



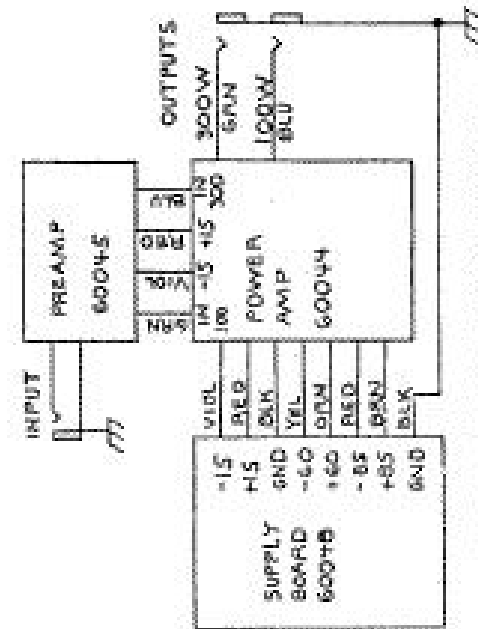
- * Q5 AND Q13 MOUNTED ON HEATSINK
- ** ADJUST BIAS WITH R14 AND R38 FOR 10mv ACROSS (R25+R26) AND (R48+R54) RESPECTIVELY
- Q1, 5, 6, 11, 13, 15 - MP3A06
- Q2, 9 - MJE-15031
- Q3, 4, 14, 16 - MP3-A 56
- Q7 - MJE-15030
- Q8 - MJE5001
- Q10 - MJE-15002
- Q12, 17, 22, 23, 24 - MJE-15023
- Q17, 18, 19, 20 - MJE-15022
- D1, 2, 3, 4, 5, 6, 7, 8 - 1N4002
- Q9, 10, 11, 12 - LF 353N
- U1 - LF 353N
- R - 5W
- C - 1/4

11-5-82	GALLIEN-KRUEGER
R.A.GALLIEN	100W/300W POWER AMP
SM-02716	SM-
	60044A

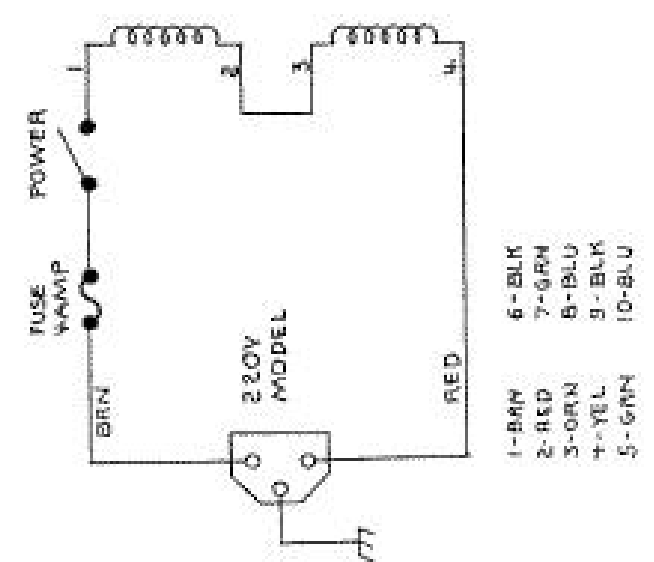


USED ON:
800RB

- Q1,4 - TIP 310
- Q2 - MYS-406
- Q3 - MYS-AS6
- D1,2 - 1N1566
- F1,2 - 275-125
- U1 - MBPL-102
- U2 - RBPC-2502



SUPPLY INTERCONNECTION DIAGRAM



11-9-82	GALLIEN-KRUEGER
R.A.GALLIEN	100/300 SUPPLY
SN-D12714	SN-
	60048A