

MESA/BOOGIE[®]

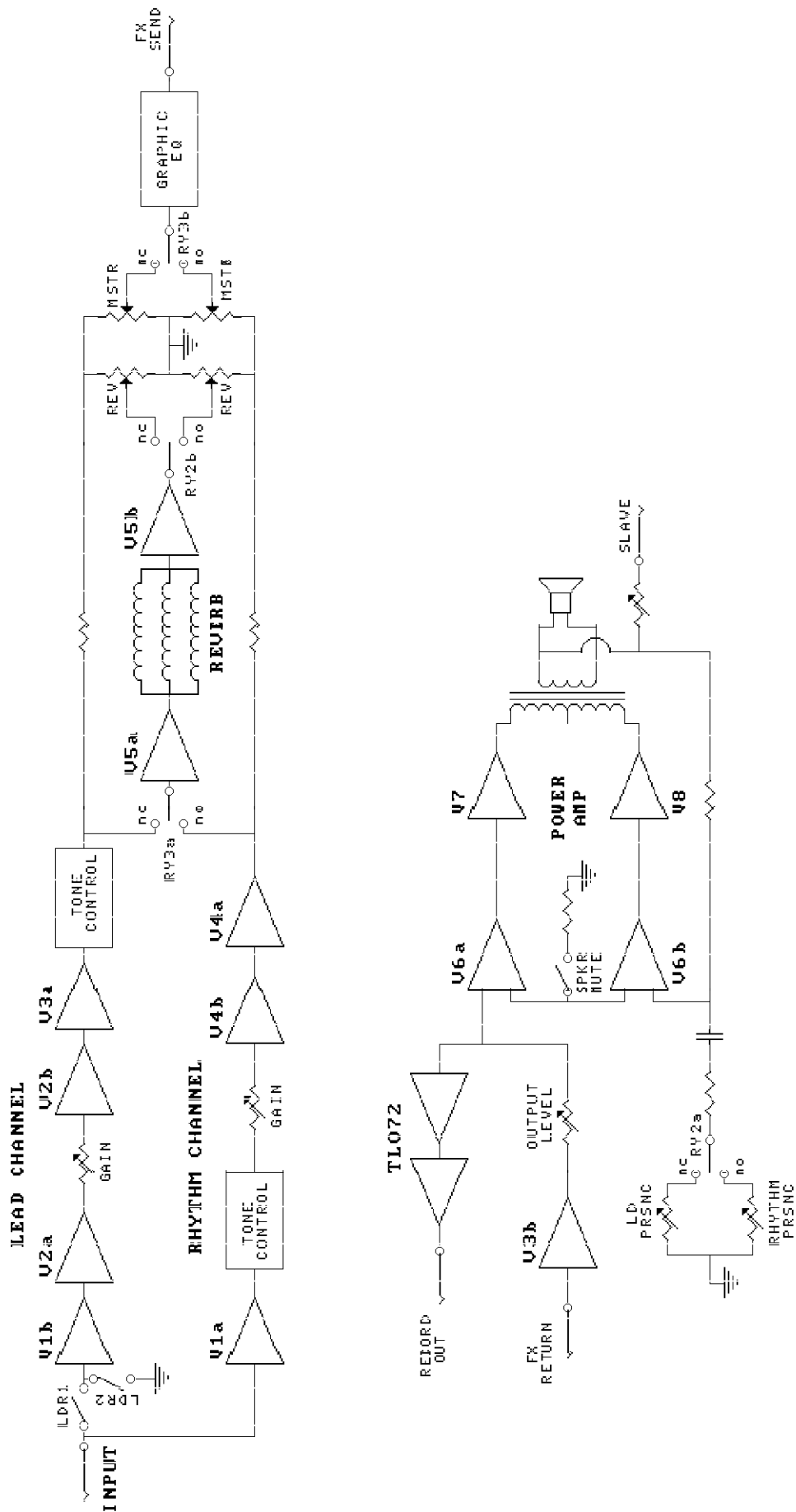
DC-5

MESA-BOOGIE

DC-5

BLOCK DIAGRAM

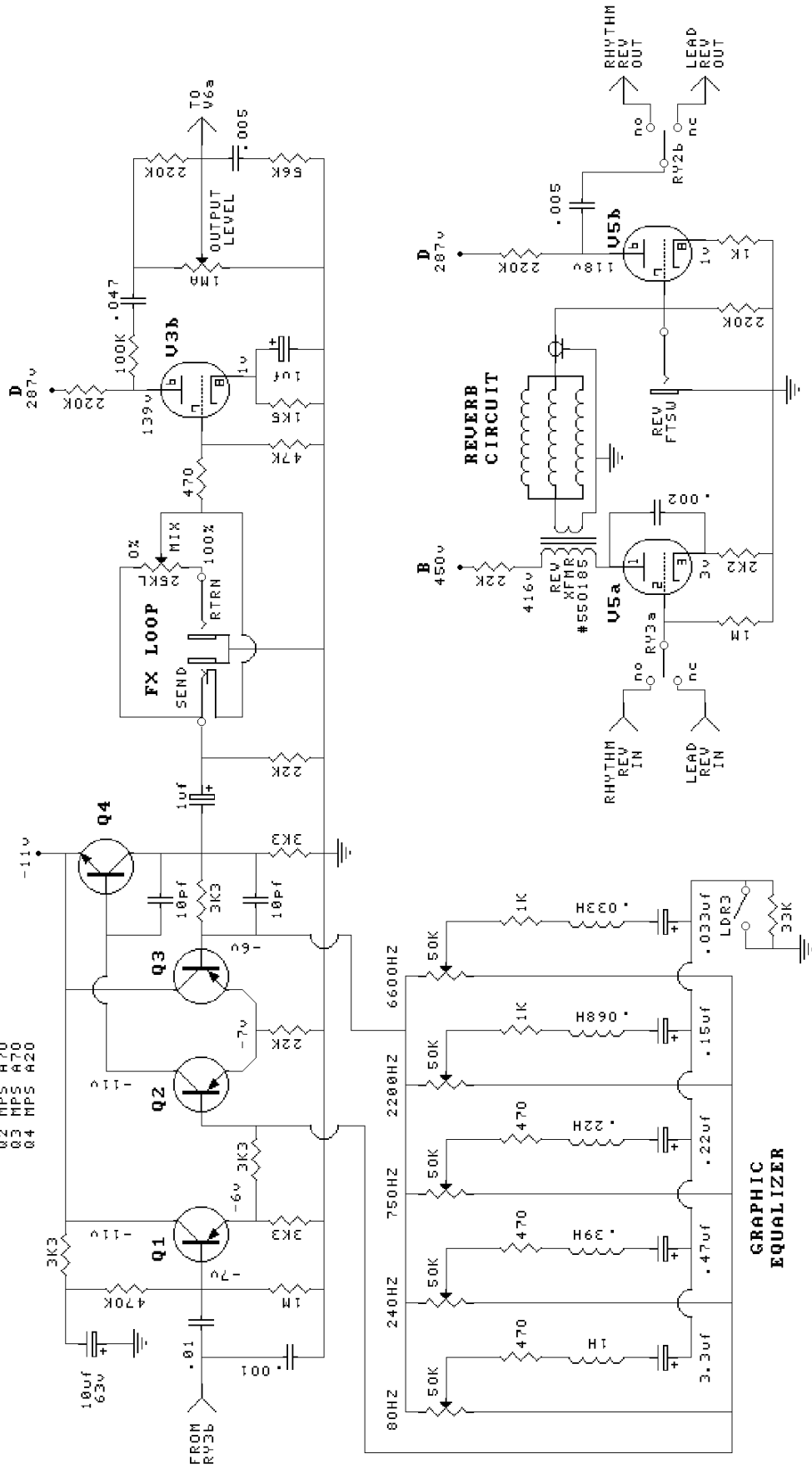
FILE DC5BLOCK.S01



MESA-BOOGIE DC5

EQ and FX LOOP
FILE DC5EQ.501

- 01 MPS A63
- 02 MPS A70
- 03 MPS A70
- 04 MPS A20

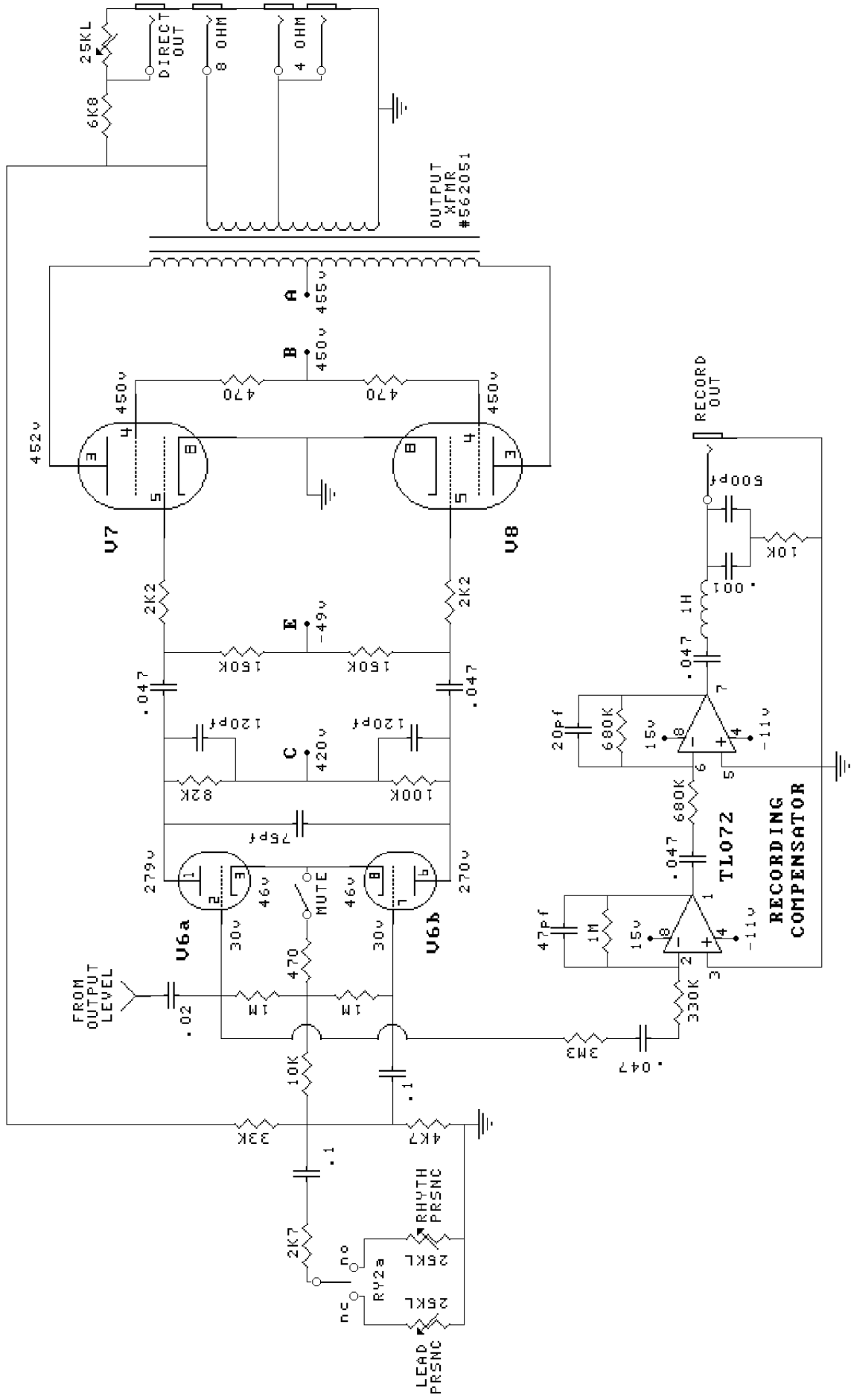


MESA-BOOGIE

DC5

POWER AMP

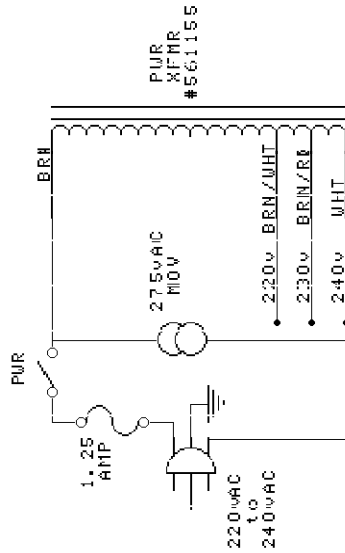
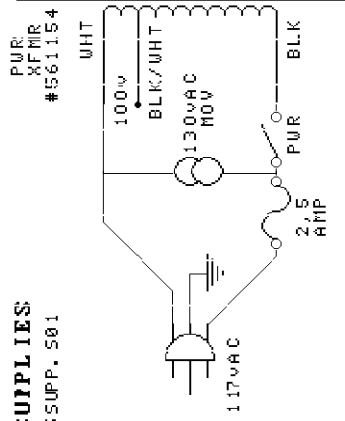
FILE DC5PUR.501



MESA-B00GIE

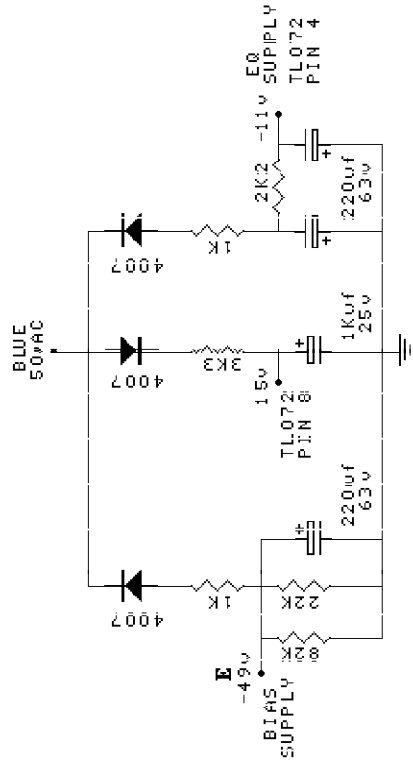
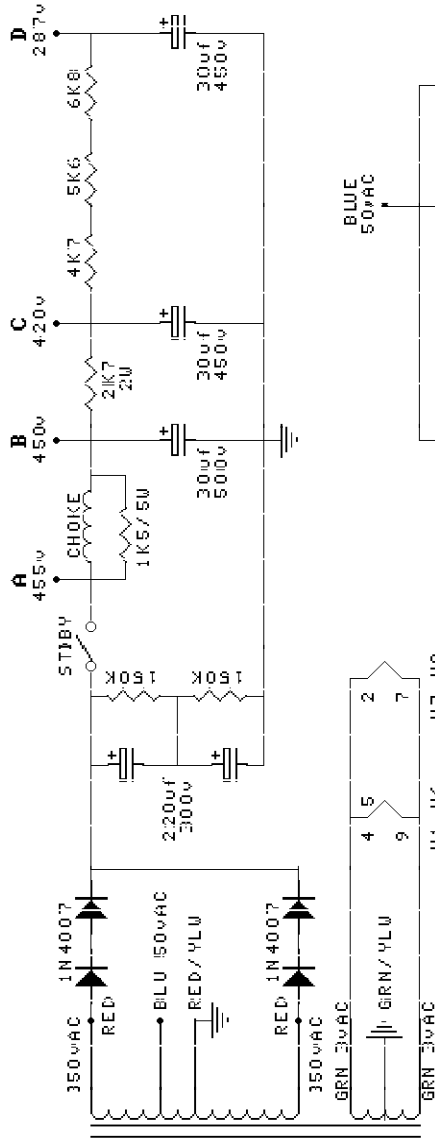
DC-5

POWER SUPPLIES
FILE DC5SUPP.S01

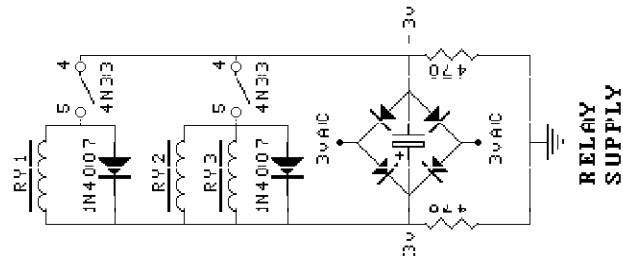


EXPORT
PRIMARY

HI VOLTAGE SUPPLIES



LOW VOLTAGE SUPPLIES

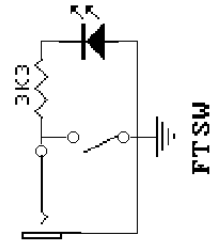
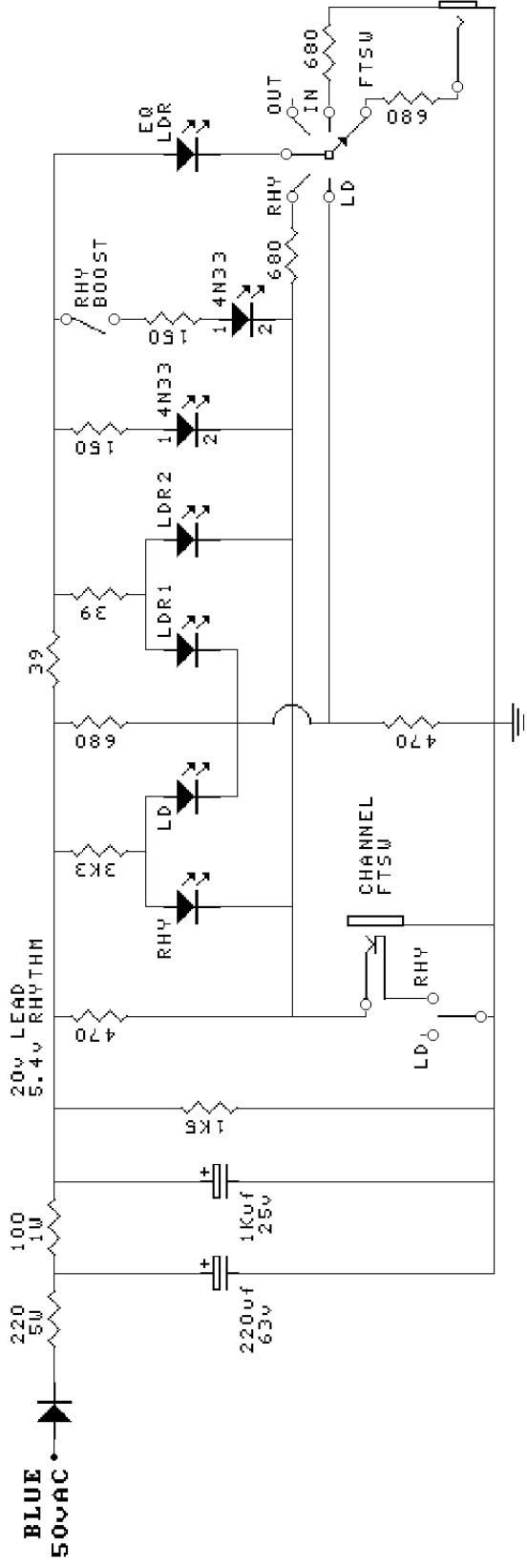


RELAY
SUPPLY

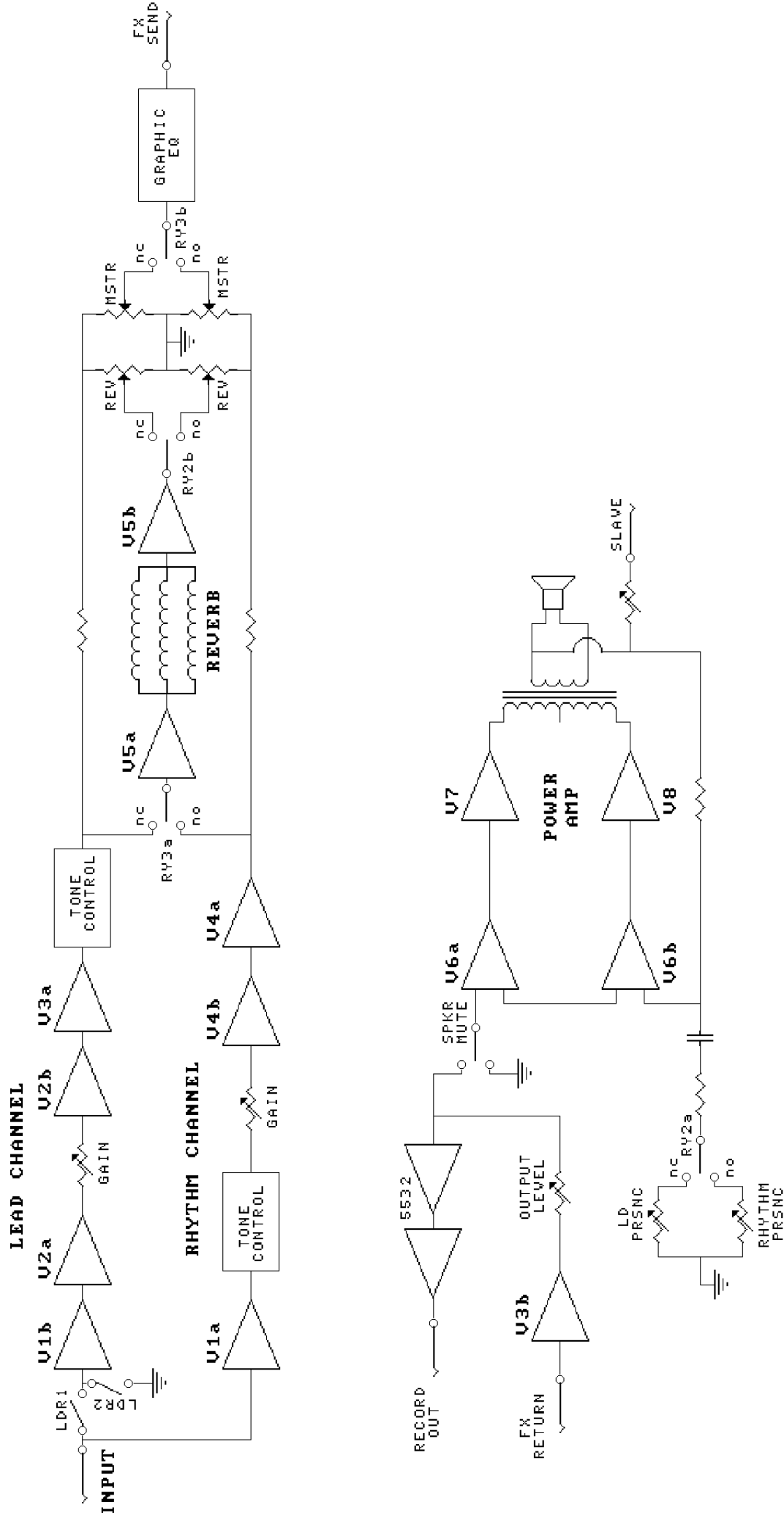
MESA-BOOGIE

DC-5 SWITCHING MATRIX

FILE DC5SW.501
6/6



MESA-BOOGIE
DC5B
 BLOCK DIAGRAM
 FILE DC5BLOC.501

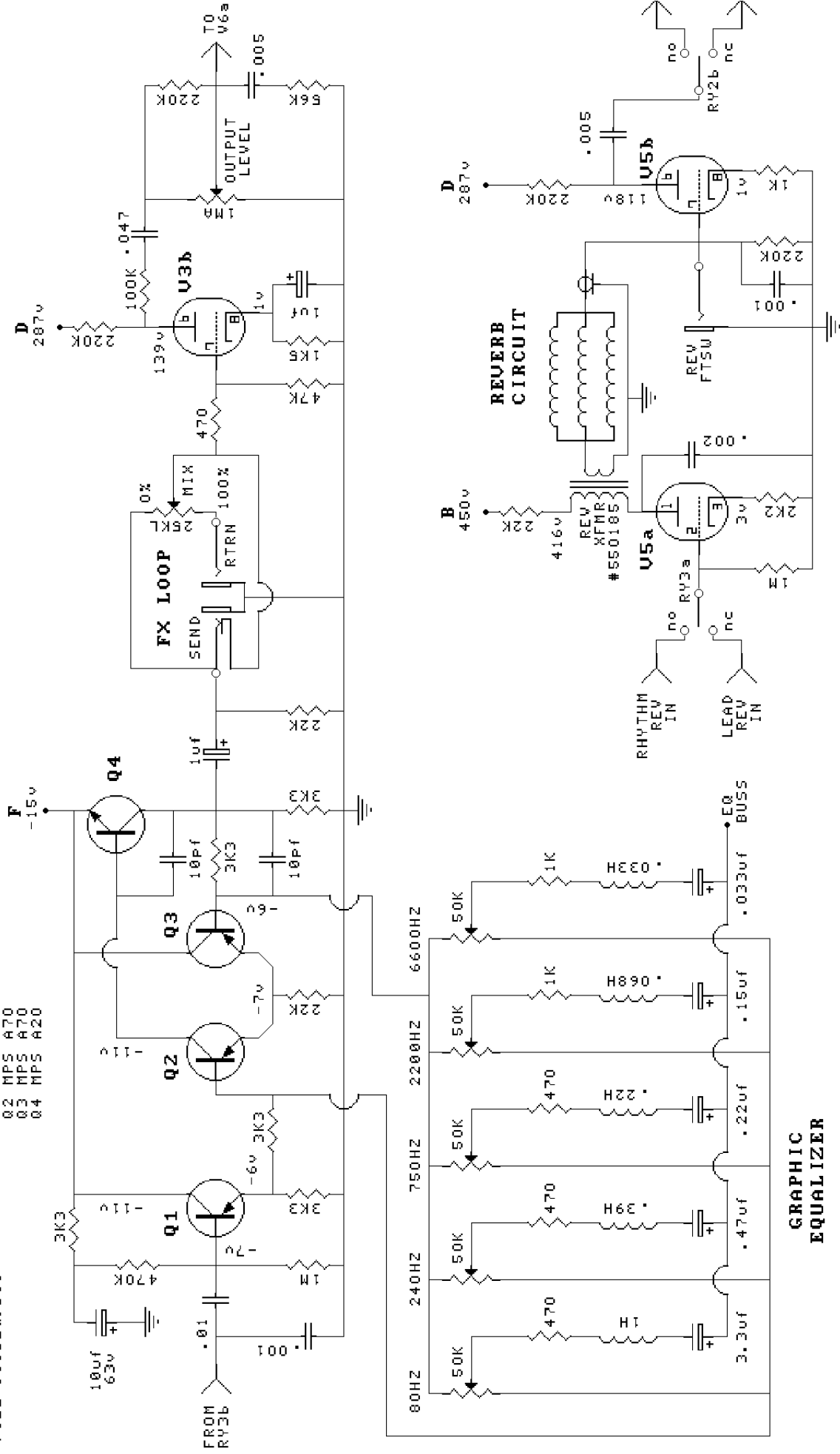


MESA-BOOGIE DC-5B

EQ
FX LOOP
REVERB

FILE DCSBE0.501

- 01 MPS A63
- 02 MPS A70
- 03 MPS A70
- 04 MPS A20

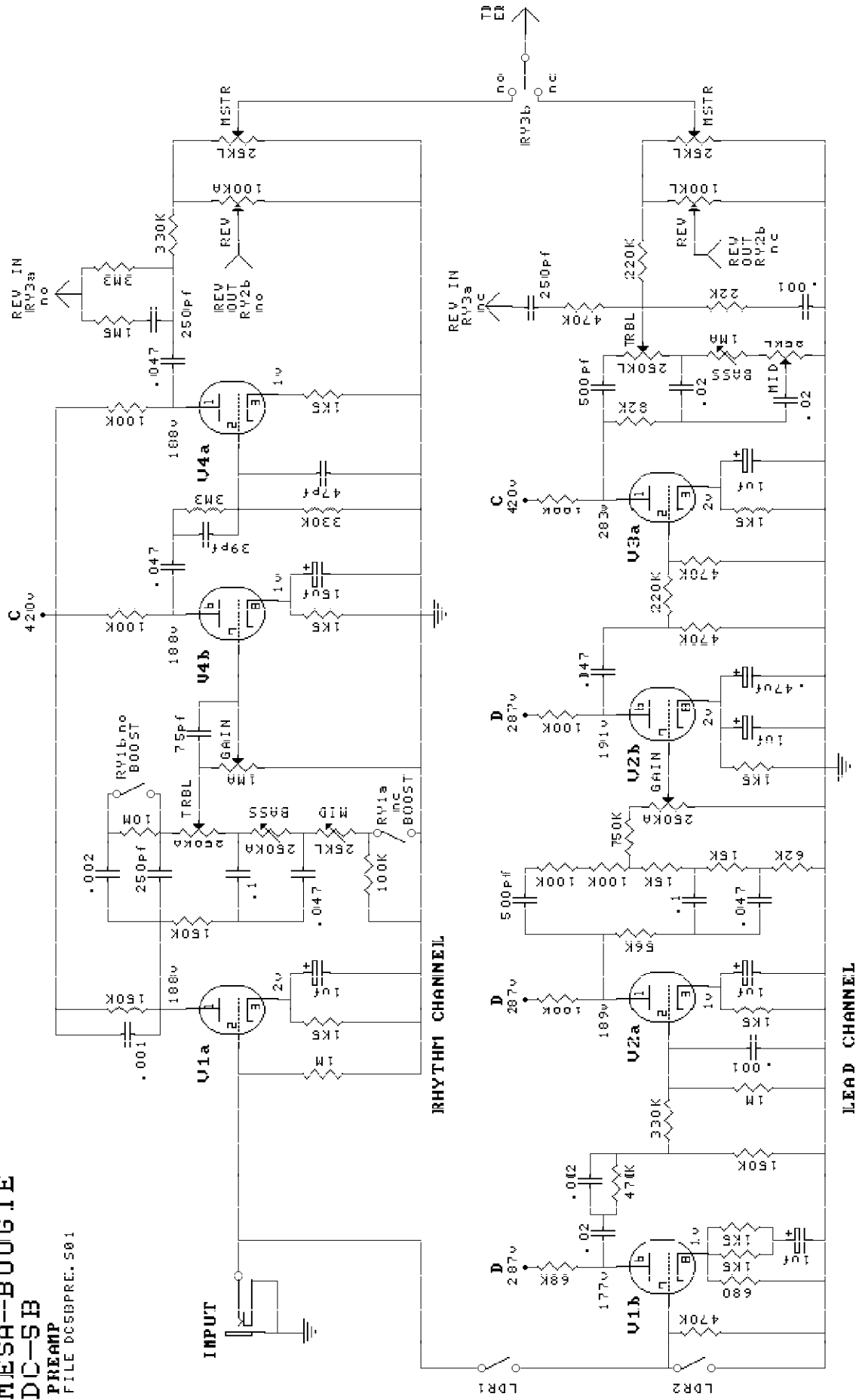


MESA--BOOGIE

DC-5B

PREAMP

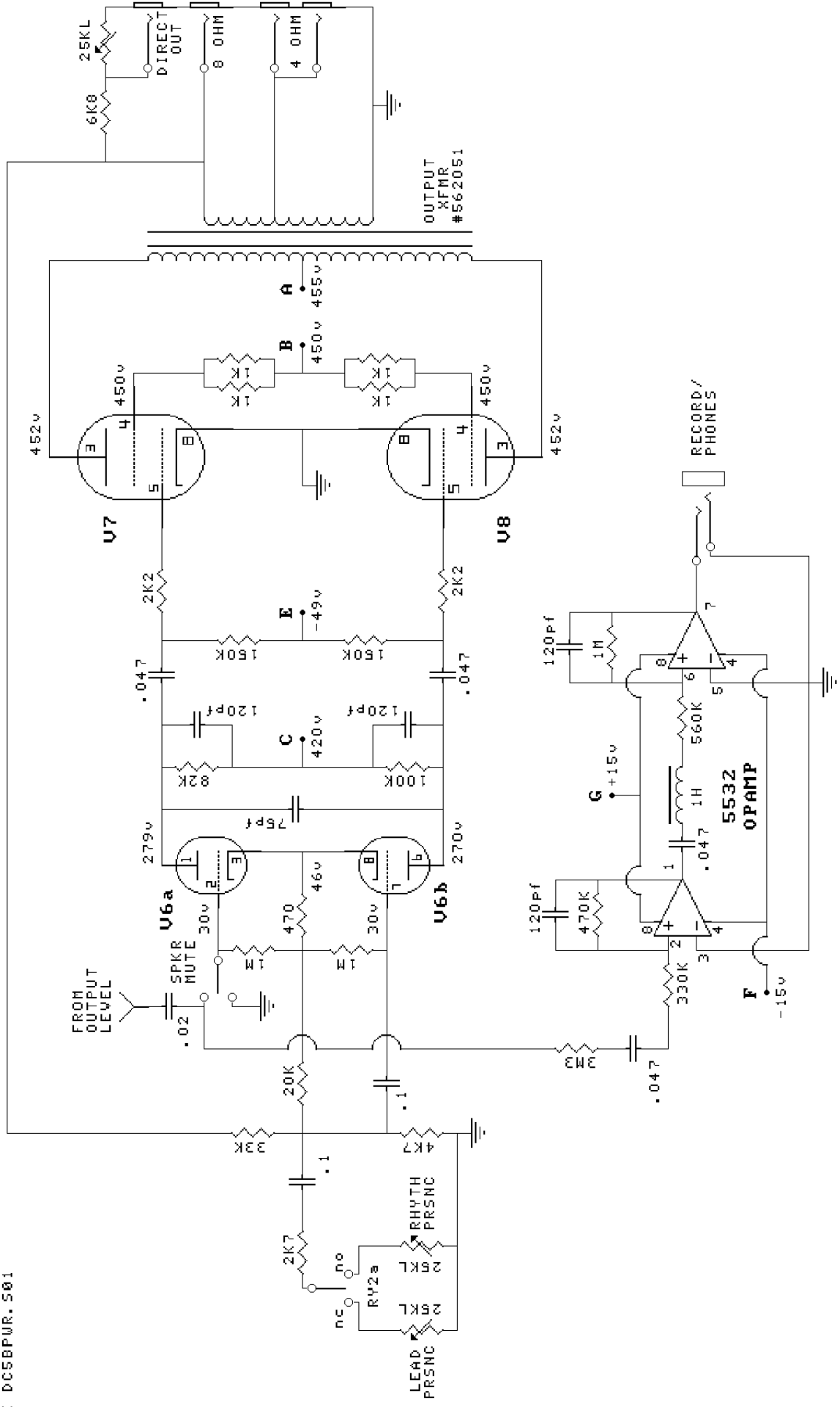
FILE DC5BPRE: 501



MESA-BOOGIE DC-5B

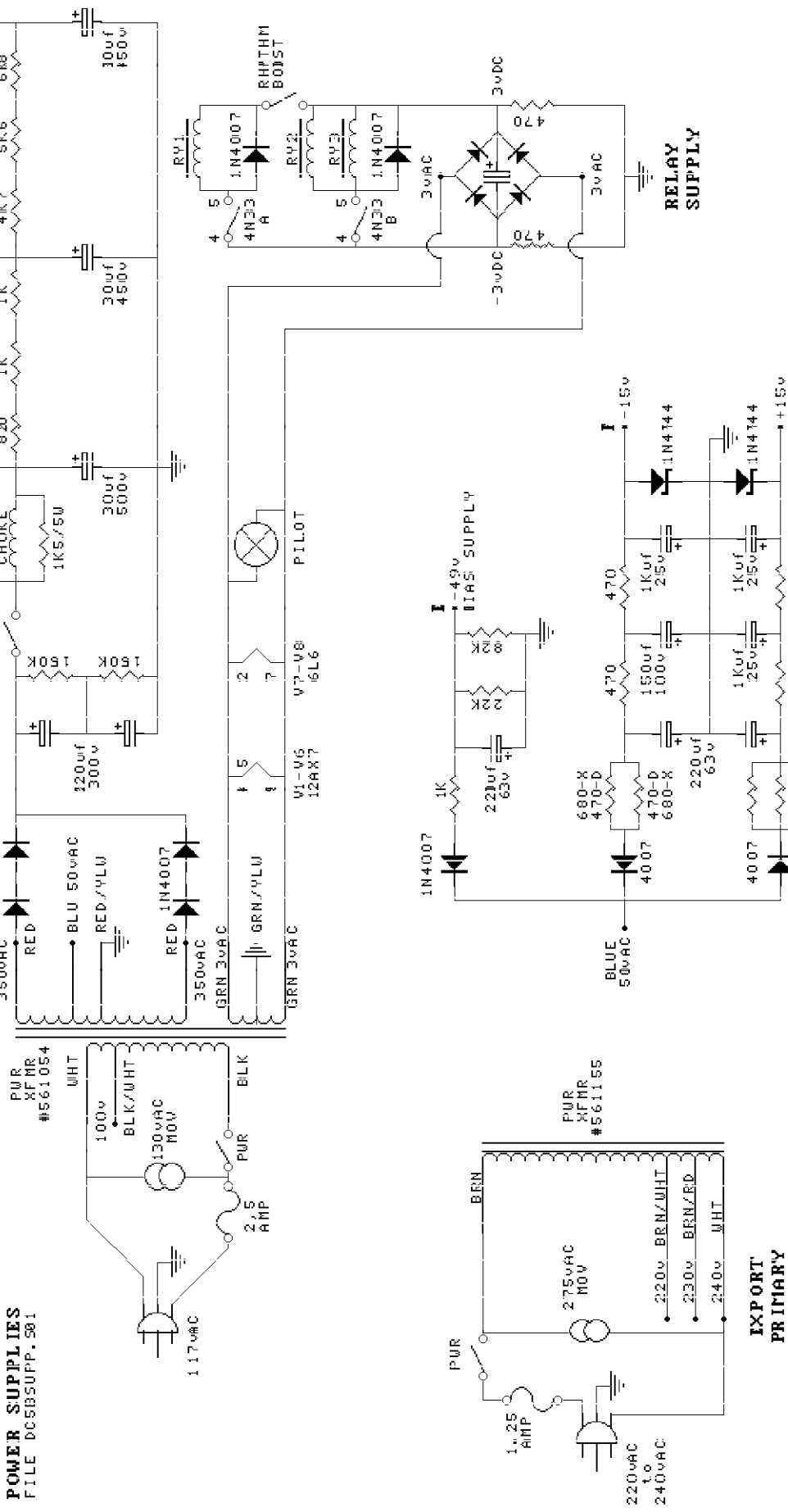
POWER AMP

FILE DC5BPUR.S01



MESA--BOOGIE DC--SB

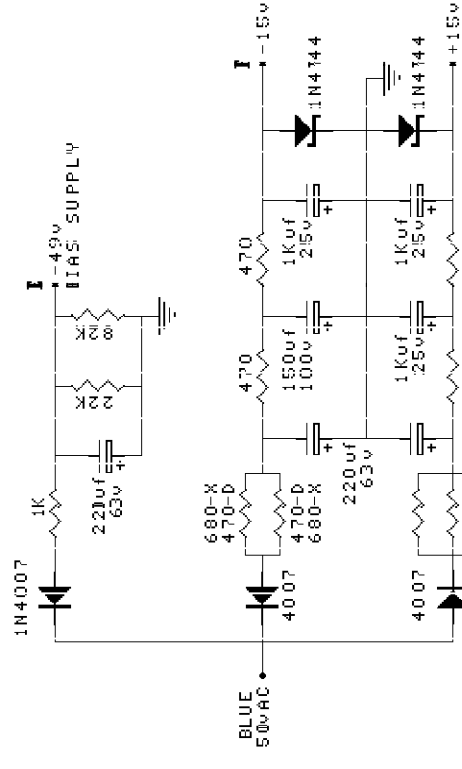
POWER SUPPLIES
FILE DC5BSUPP.591



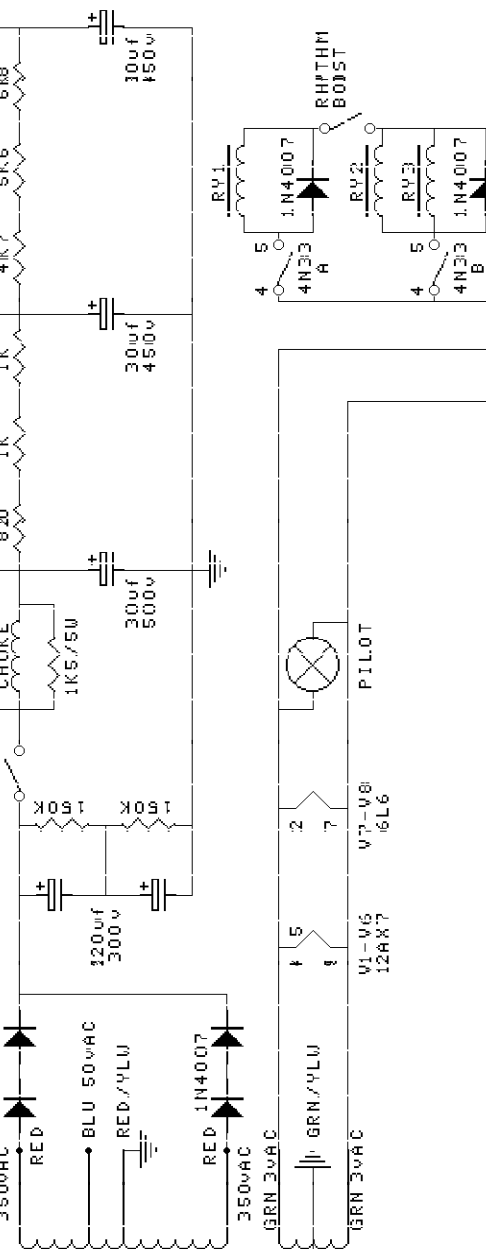
EXP RT
PR IMARY

LOW VOLTAGE SUPPLIES

560 X 3 D-OM
1K X 1 X-PORT



RELAY
SUPPLY



D
287V

C
420V

B
450V

A
455V

350VAC
RED

350VAC
RED

350VAC
GRN

350VAC
GRN

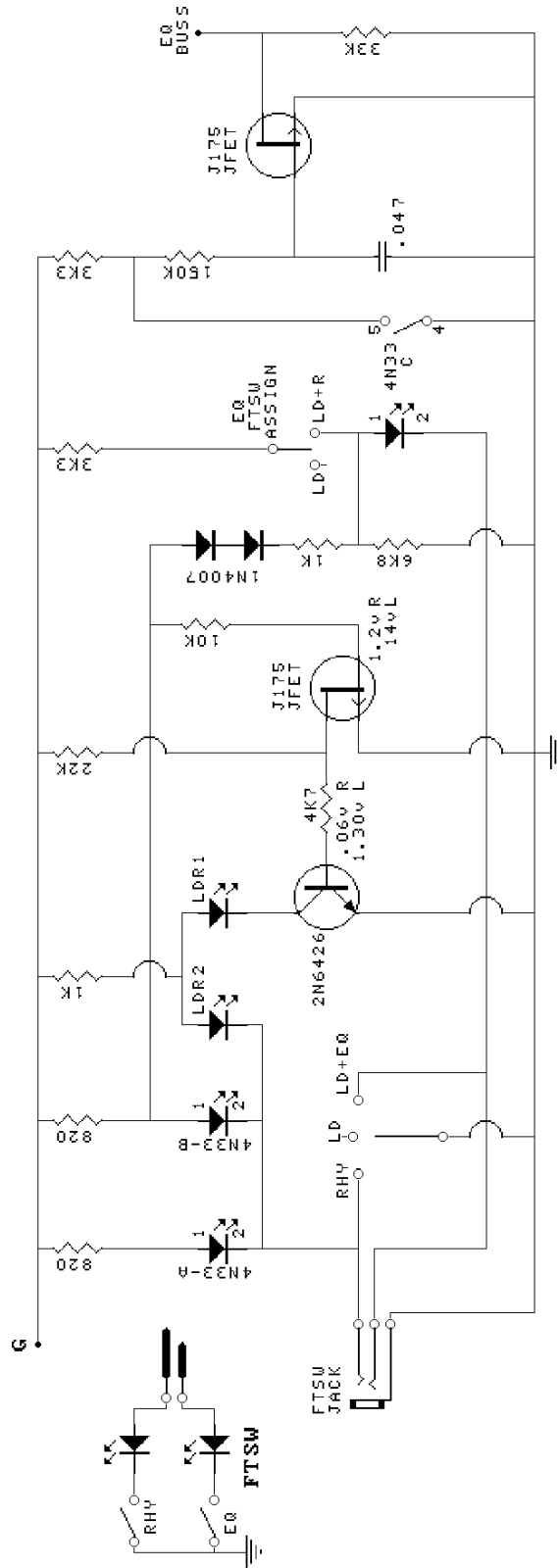
350VAC
GRN

350VAC
GRN

350VAC
GRN

350VAC
GRN

MESA-BOOGLIE
DC5B DC10
SWITCHING MATRIX
 FILE DC5B5U.501



RHYTHM: LDR2 ON (Ld Input Shunt)
 4N33A ON, RV2 ON
 4N33B ON, RV3 ON

J175 ON = 2N6426 OFF = LDR1 (Ld Input) OFF

LEAD: 4N33A OFF, RV2 OFF
 4N33B OFF, RV3 OFF

LDR2 OFF
 J175 OFF = 2N6426 ON = LDR1 (Ld Input) ON

EQ: 4N33C ON = J175 ON = EQ BUSS to Gnd.