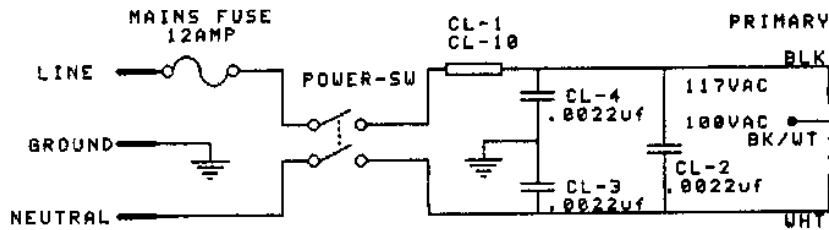


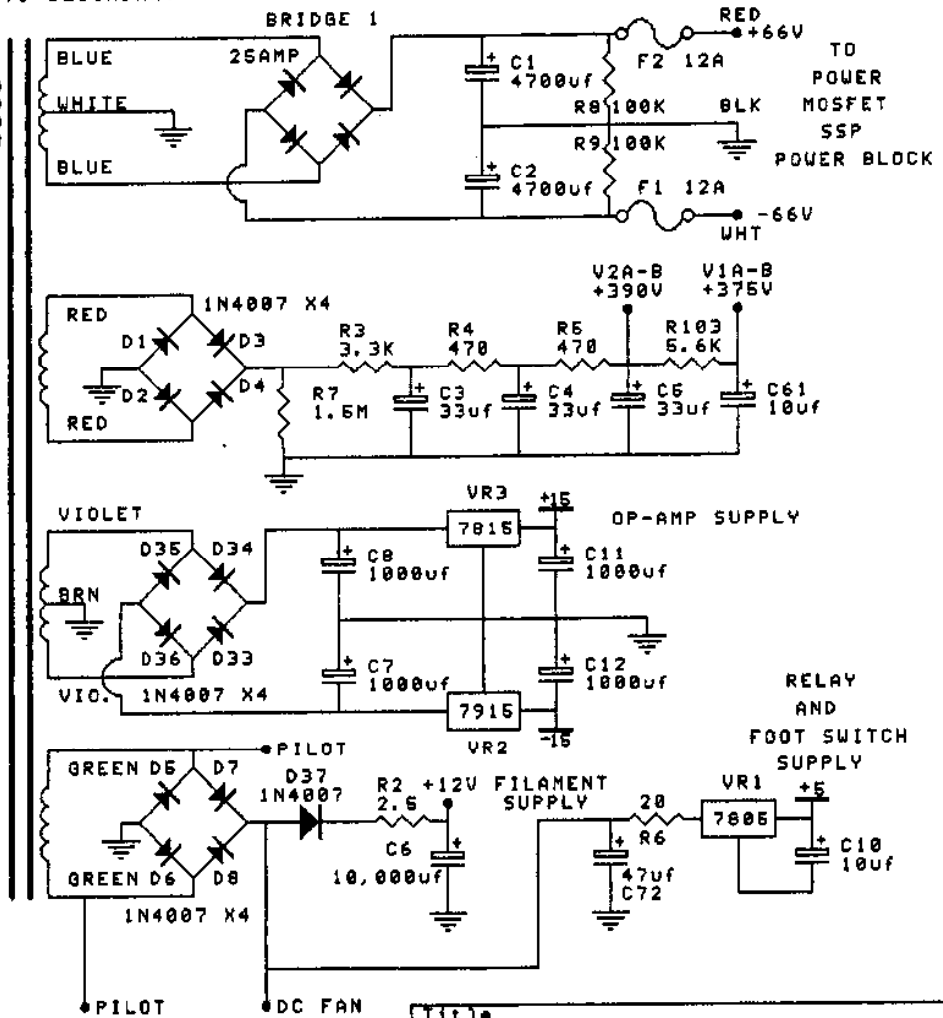
*M-Pulse 360 & 600*



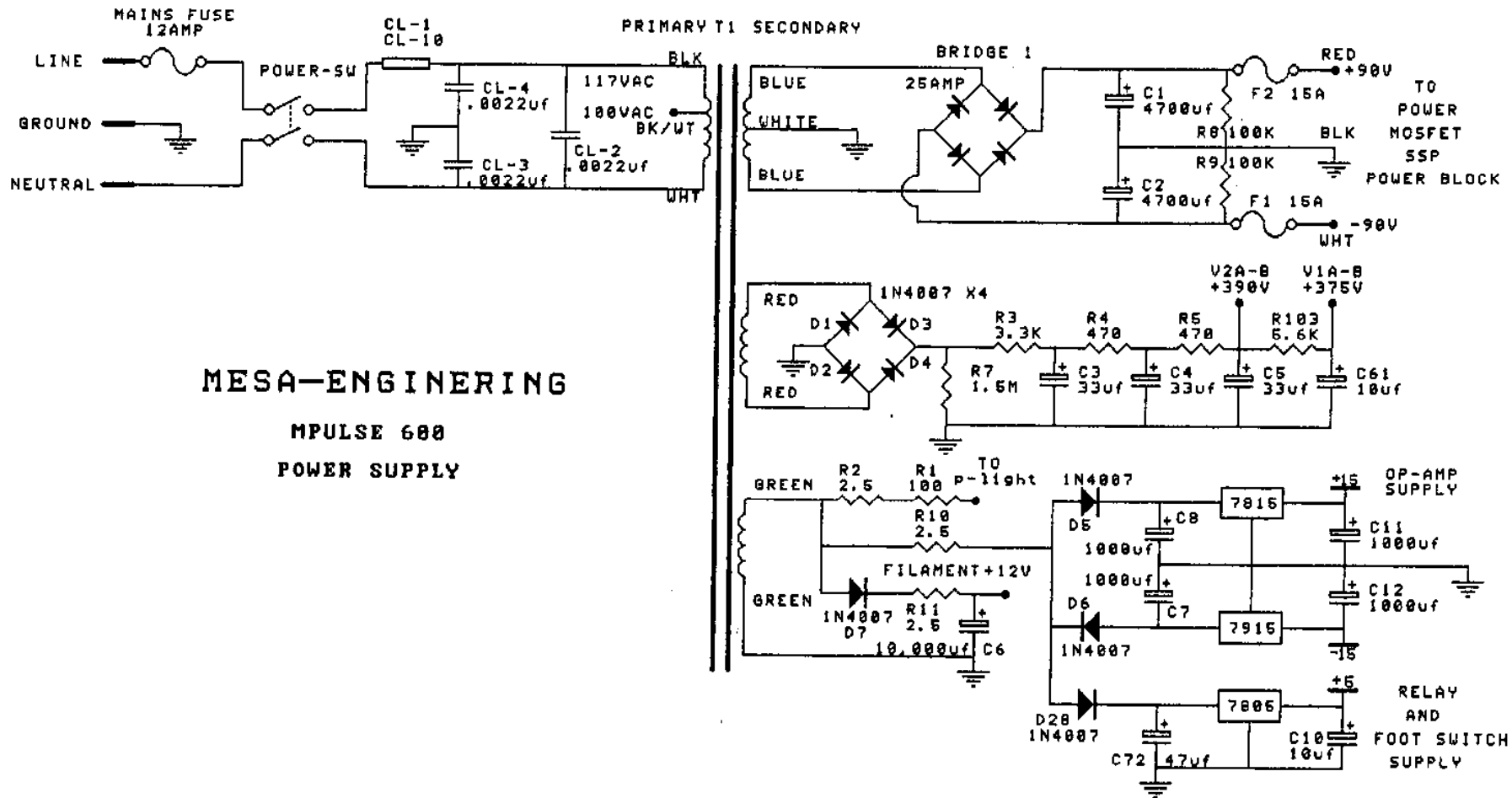
# MESA-ENGINEERING

## MPULSE 360 POWER SUPPLY

PRIMARY T1 SECONDARY



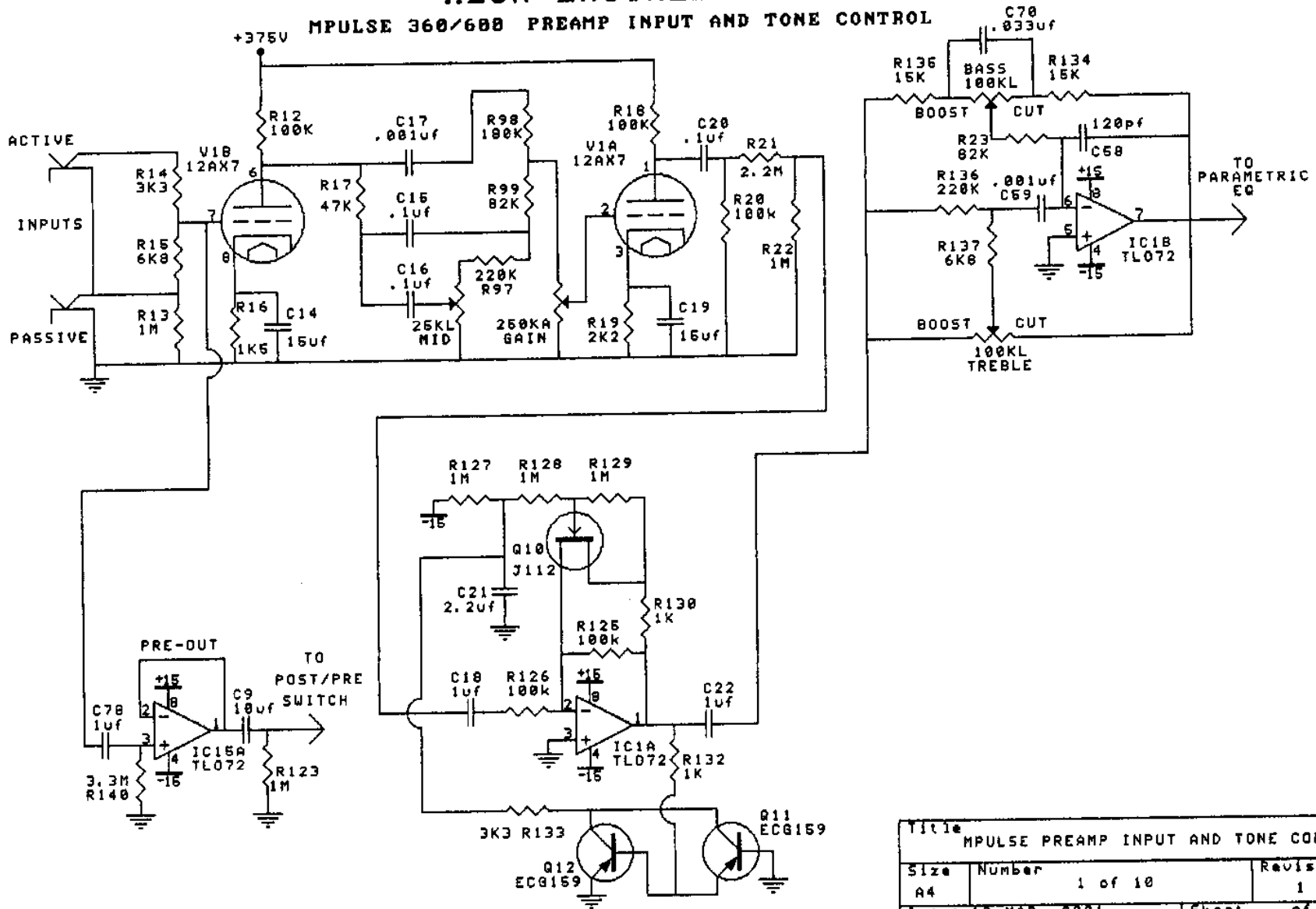
Title		
MPULSE 360 POWER SUPPLY		
Size	Number	Revision
A4		1
Date:	16-MAR-2001	Sheet of
File:	MPULSE-971	Drawn By: DAN VR



Title		
MPULSE 600 SUPPLY		
Size	Number	Revision
A4		1
Date:	16-MAR-2001	Sheet of
File:	MPULSE6971	Drawn By: DAN VR

# MESA-ENGINEERING

## MPULSE 360/688 PREAMP INPUT AND TONE CONTROL

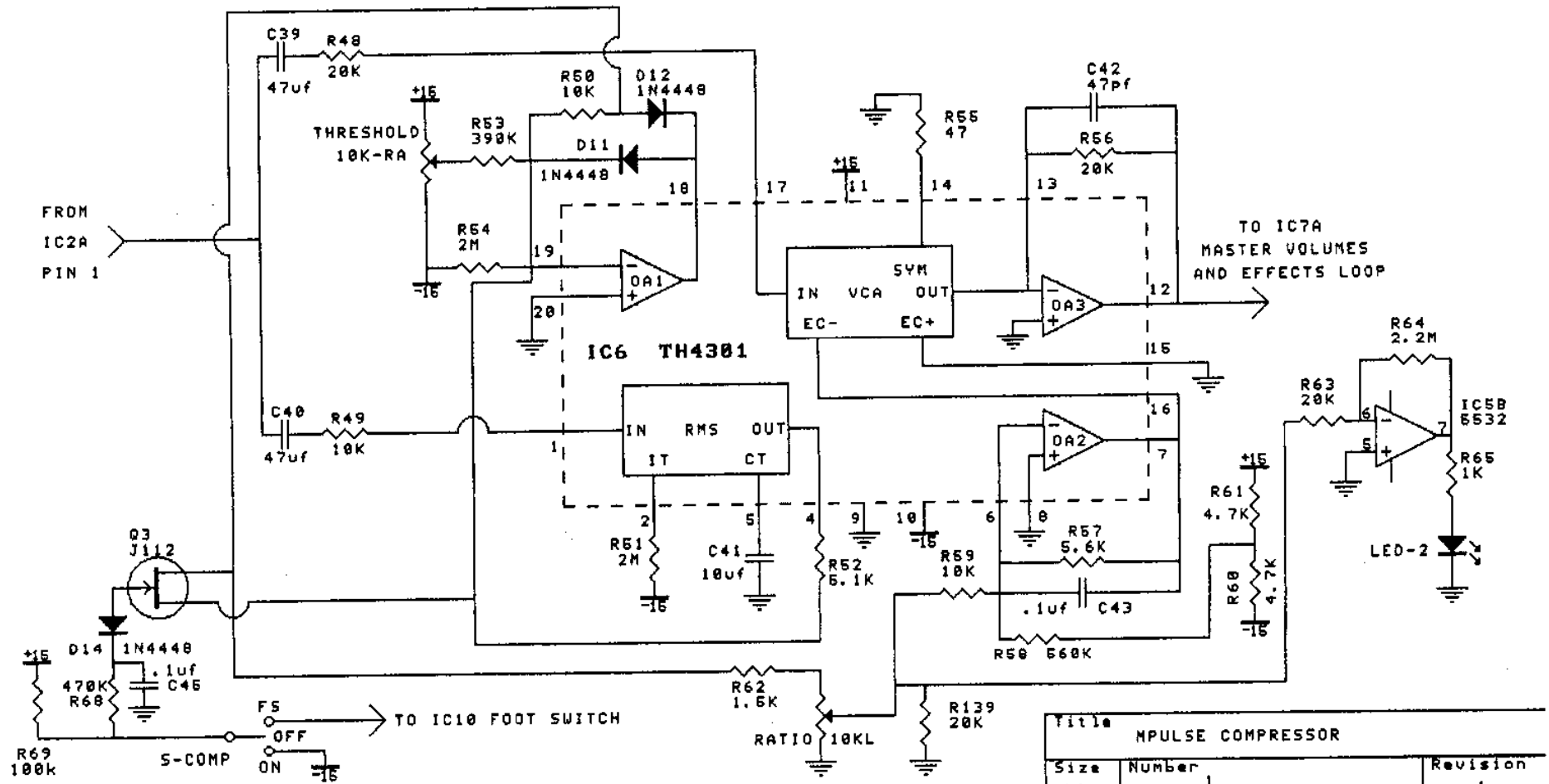


Title			
MPULSE PREAMP INPUT AND TONE CONTROL			
Size	Number	Revision	
A4	1 of 10	1	
Date: 19-MAR-2001		Sheet of	
File: MPULSE-171		Drawn by: DAN V.R	



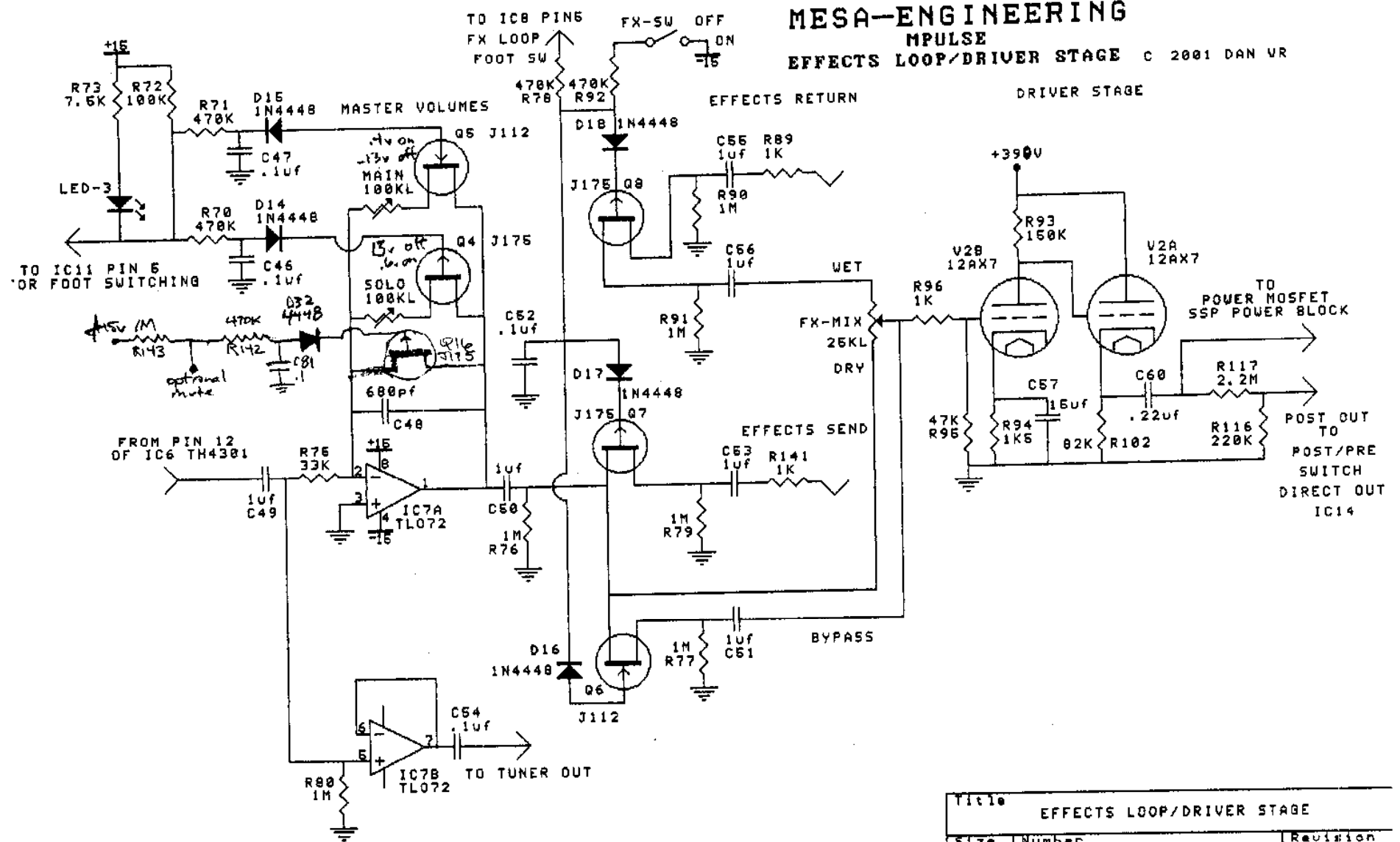
# MESA-ENGINEERING

## MPULSE COMPRESSOR



Title		
MPULSE COMPRESSOR		
Size	Number	Revision
A4	1	1
Date: 15-MAR-2001	Sheet of	Drawn By: DAN VR
File: MPULSE-371		

MESA-ENGINEERING  
 MPULSE  
 EFFECTS LOOP/DRIVER STAGE C 2001 DAN VR



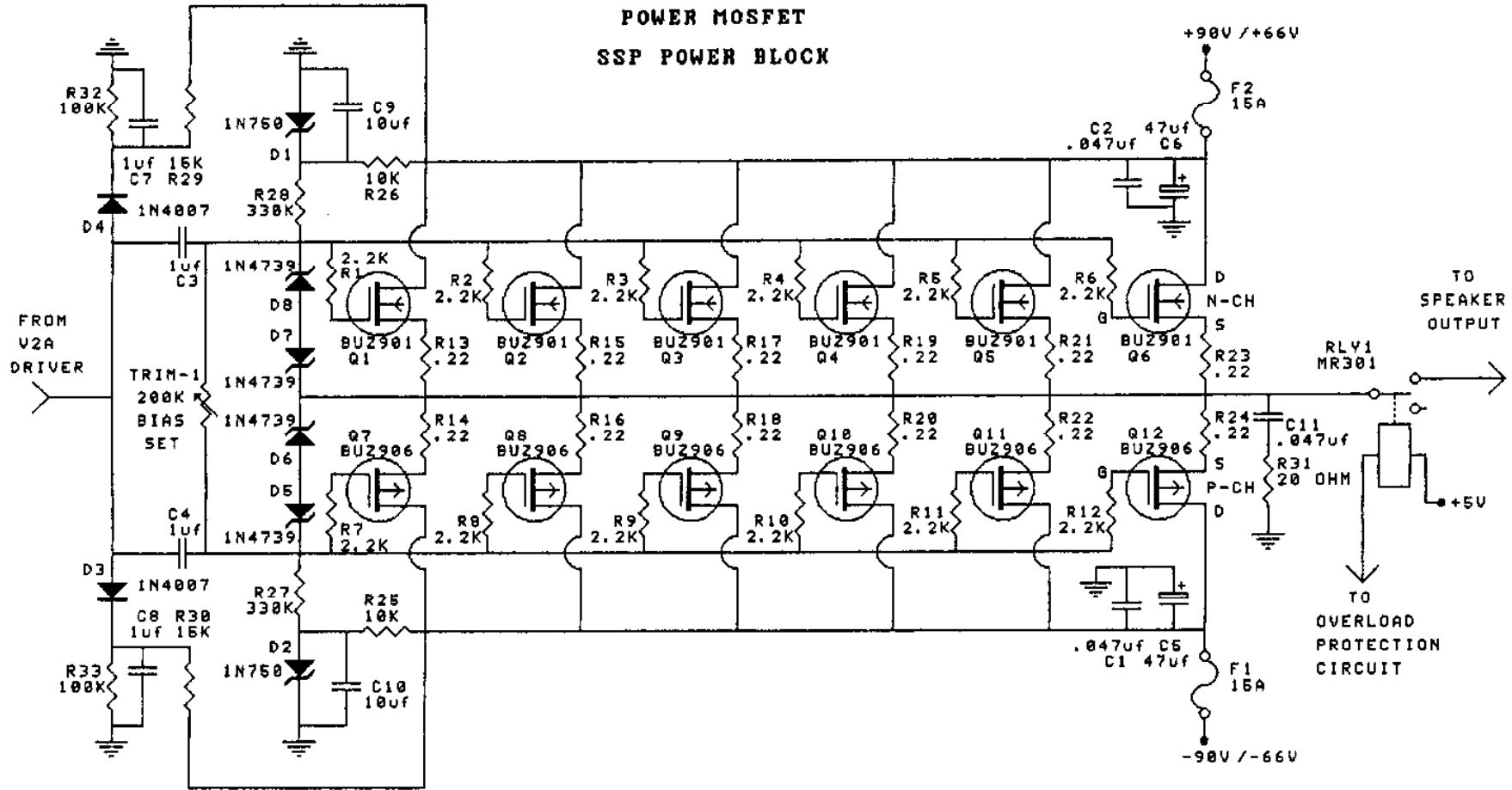
Title		
EFFECTS LOOP/DRIVER STAGE		
Size	Number	Revision
A4		1
Date: 14-MAR 2001	Sheet of	
File: MPULSE-471	Drawn By: DAN VR	

# MESA-ENGINEERING

MPULSE 360/600

POWER MOSFET

SSP POWER BLOCK

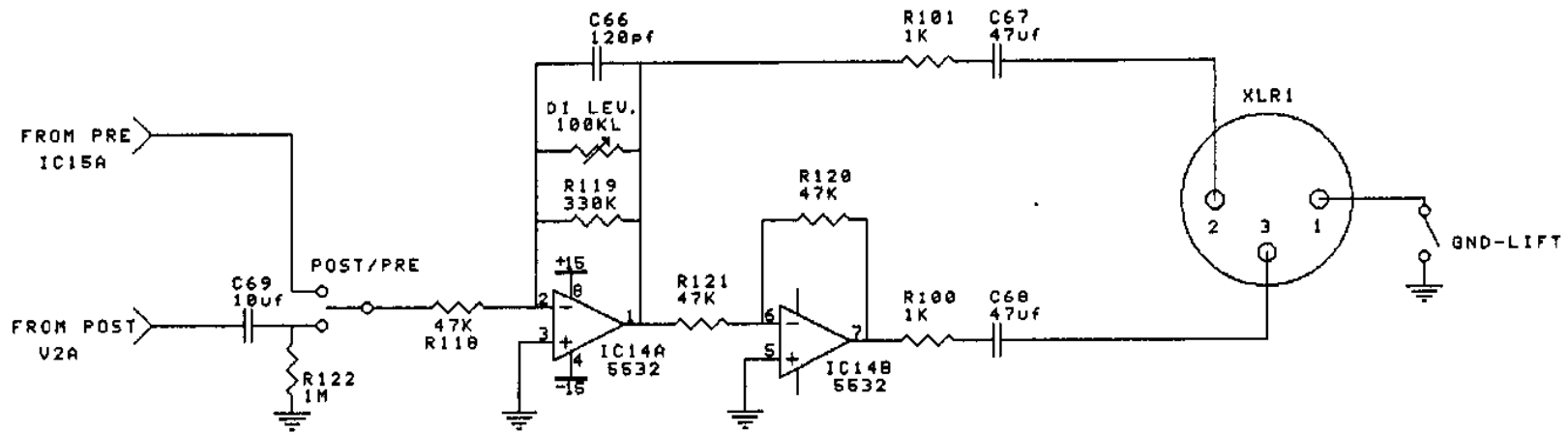


Title		
SSP POWER BLOCK		
Size	Number	Revision
A4		1
Date:	16-MAR-2001	Sheet of
File:	MPULSE-5/1	Drawn By: DAN VR



# MESA-ENGINEERING

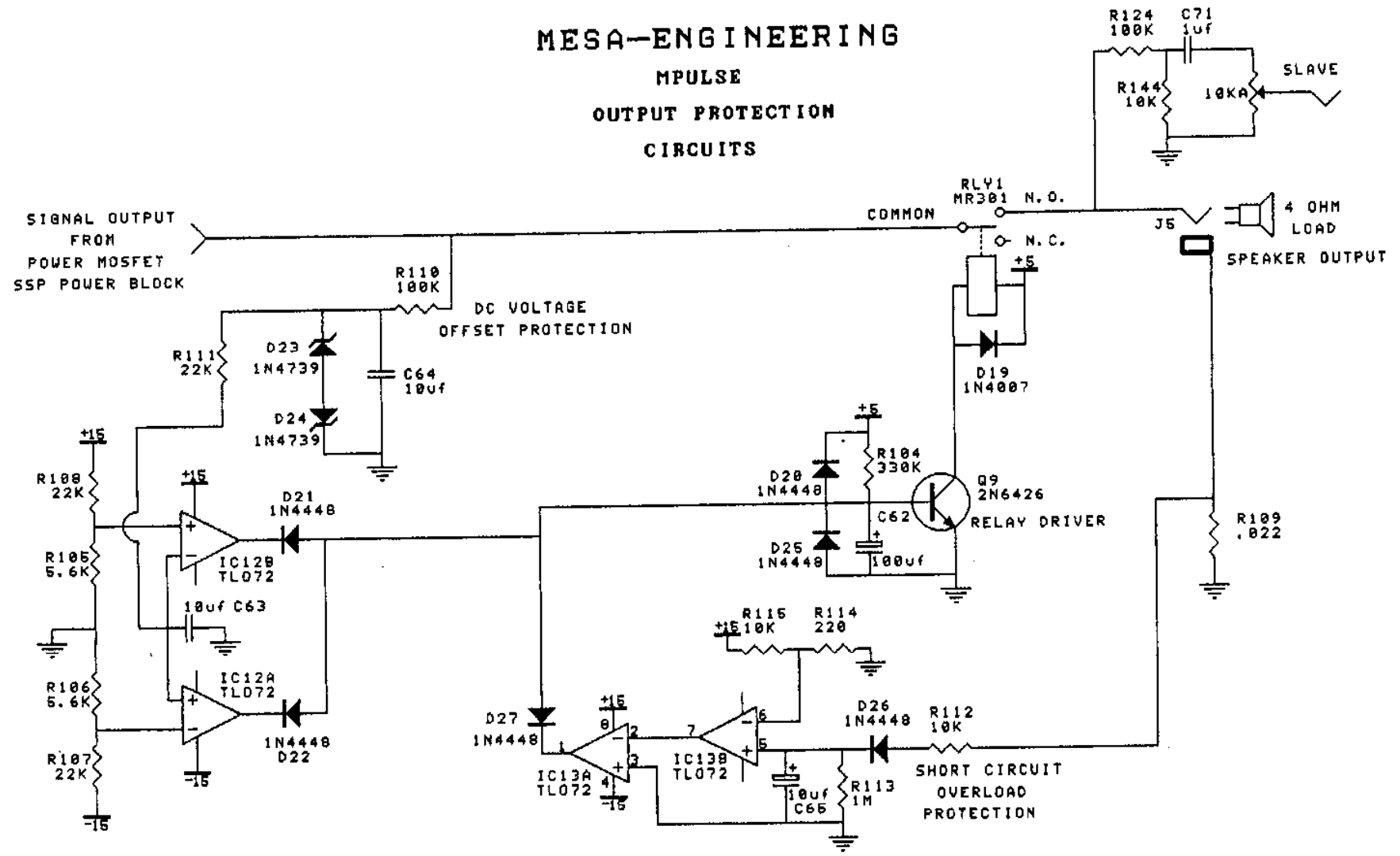
## MPULSE DIRECT BALANCED OUT



Title		
DIRECT BALANCED OUT		
Size	Number	Revision
A4		1
Date:	14-MAR-2001	Sheet of
File:	MPULSE-671	Drawn By: DAN VR

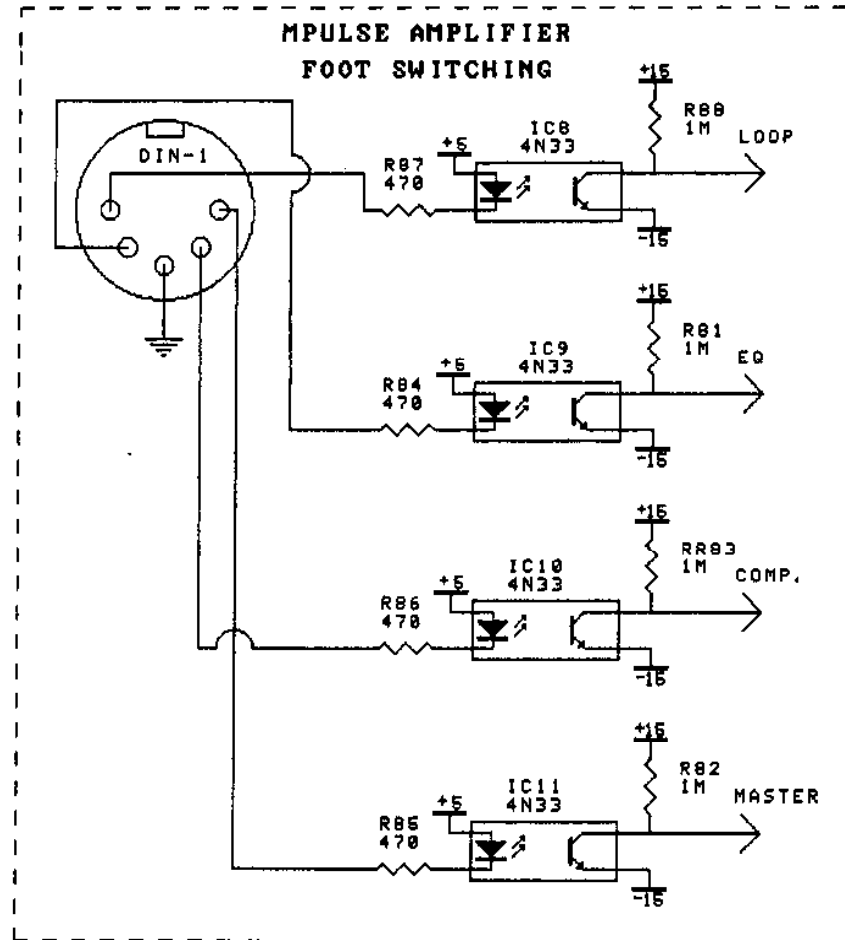
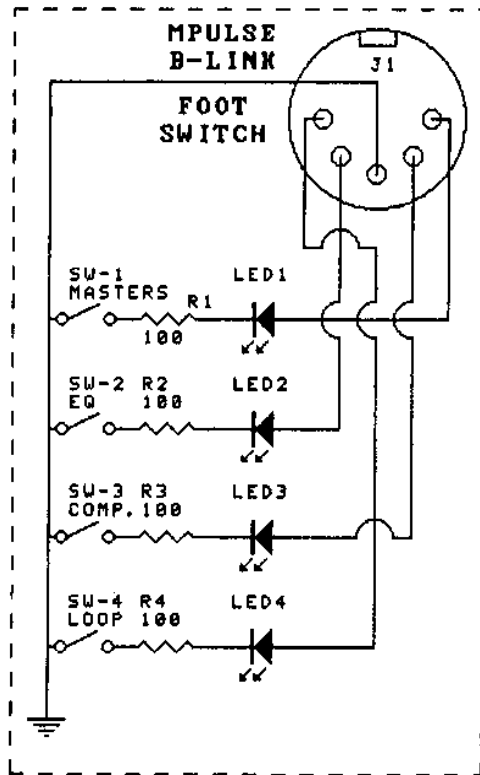
# MESA-ENGINEERING

## MPULSE OUTPUT PROTECTION CIRCUITS



Title		
OUTPUT PROTECTION		
Size	Number	Revision
A4		1
Date: 15-MAR-2001		Sheet of
File: MPULSE-871		Drawn By: DAN VR

# MESA-ENGINEERING



Title		
MPULSE FOOTSWITCHING		
Size	Number	Revision
A4		1
Date: 14-MAR 2001		Sheet of
File: MPULSE-771		Drawn By: DAN VR