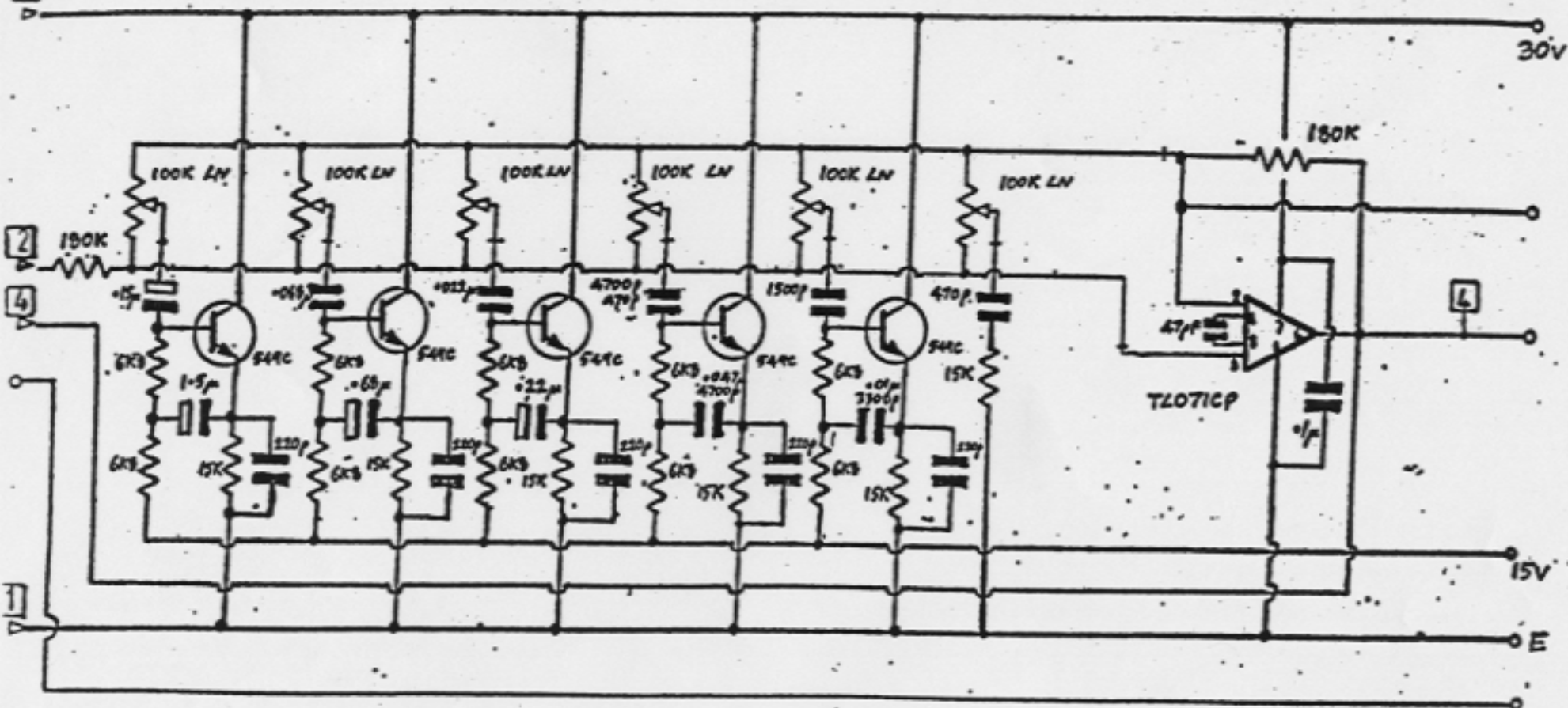


③ TRACE ELLIOT GP11 mk 2 INPUT STAGE.

3



2

4

6

1

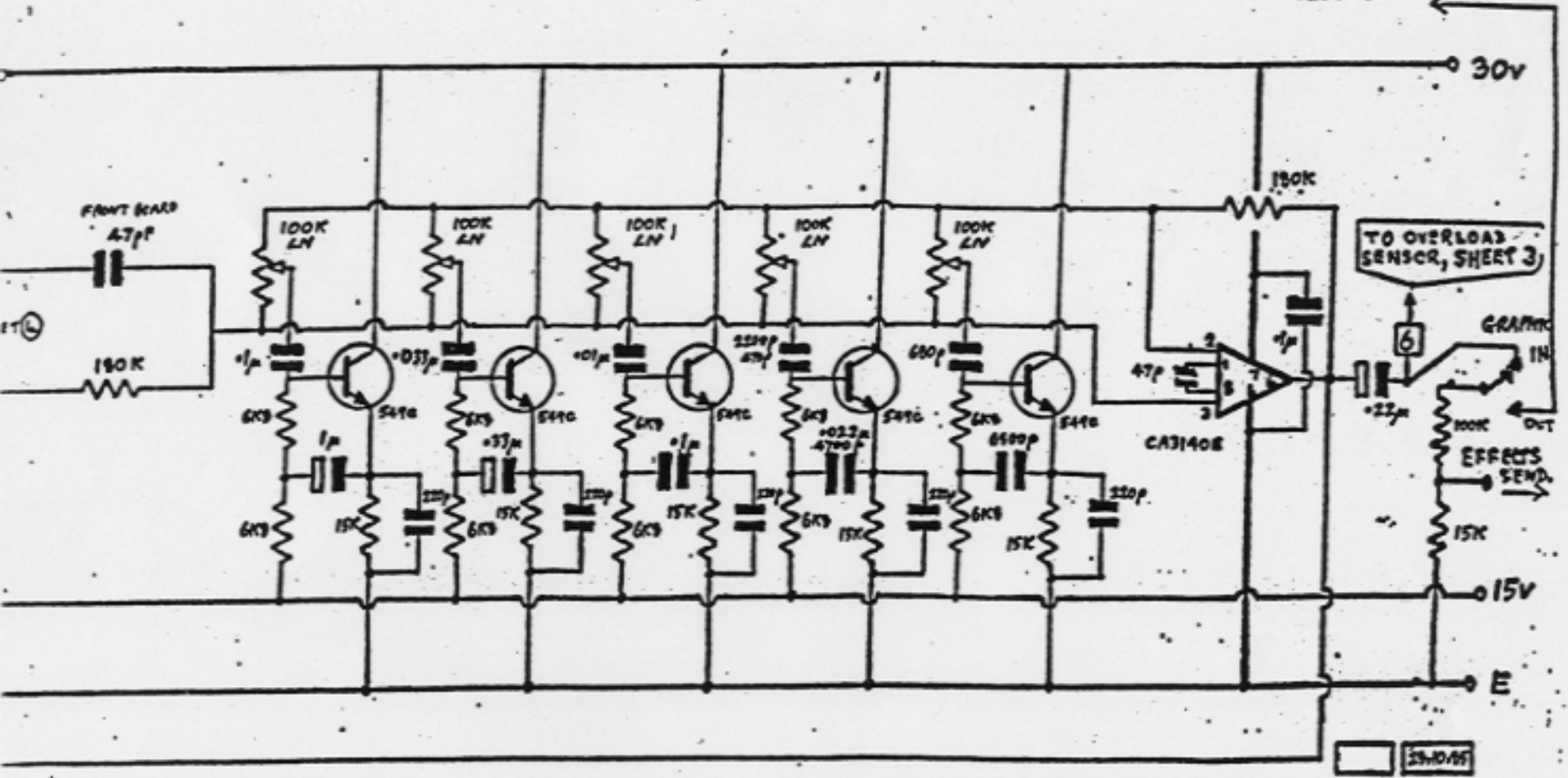
30V

15V

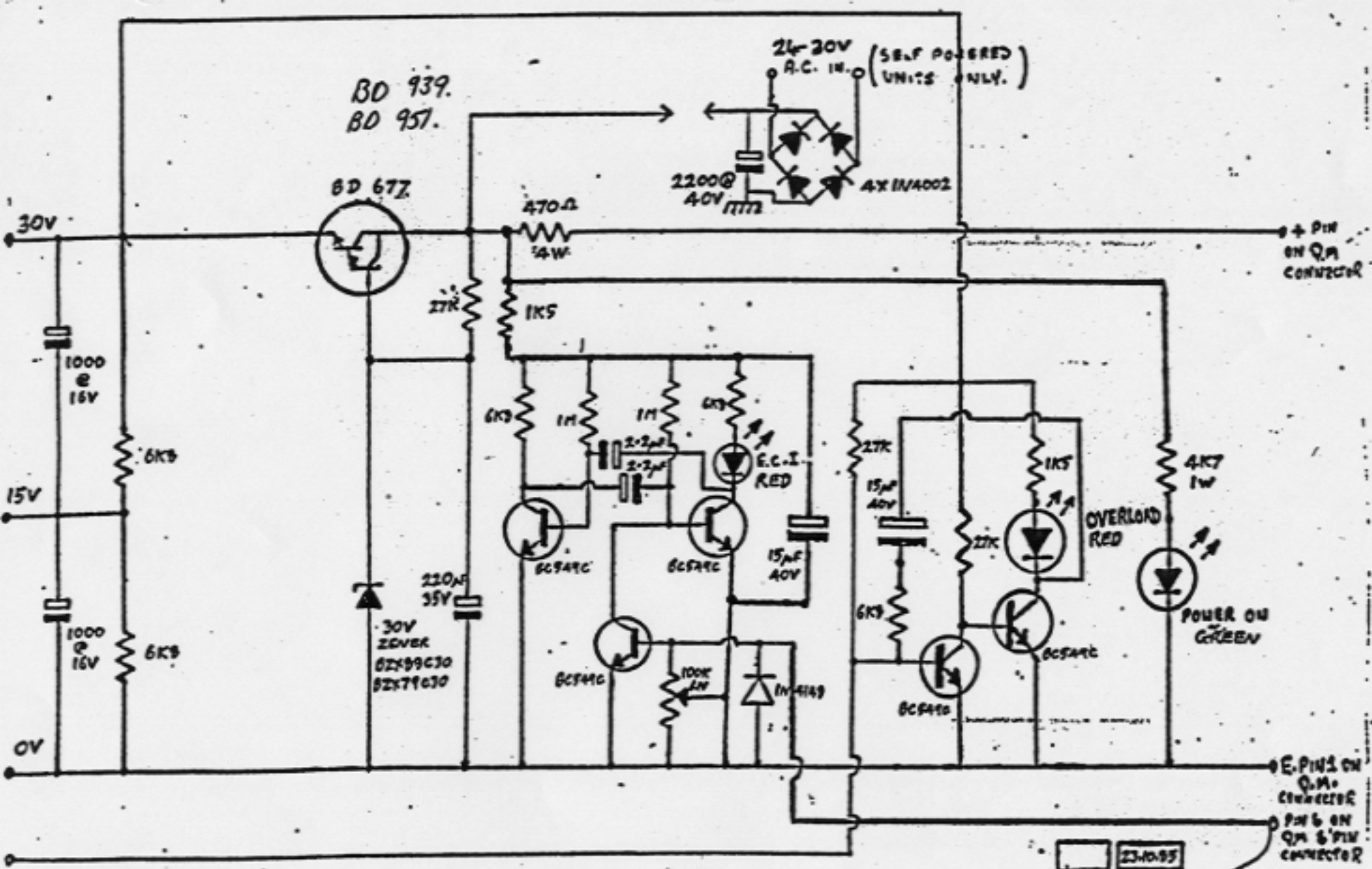
E

549C

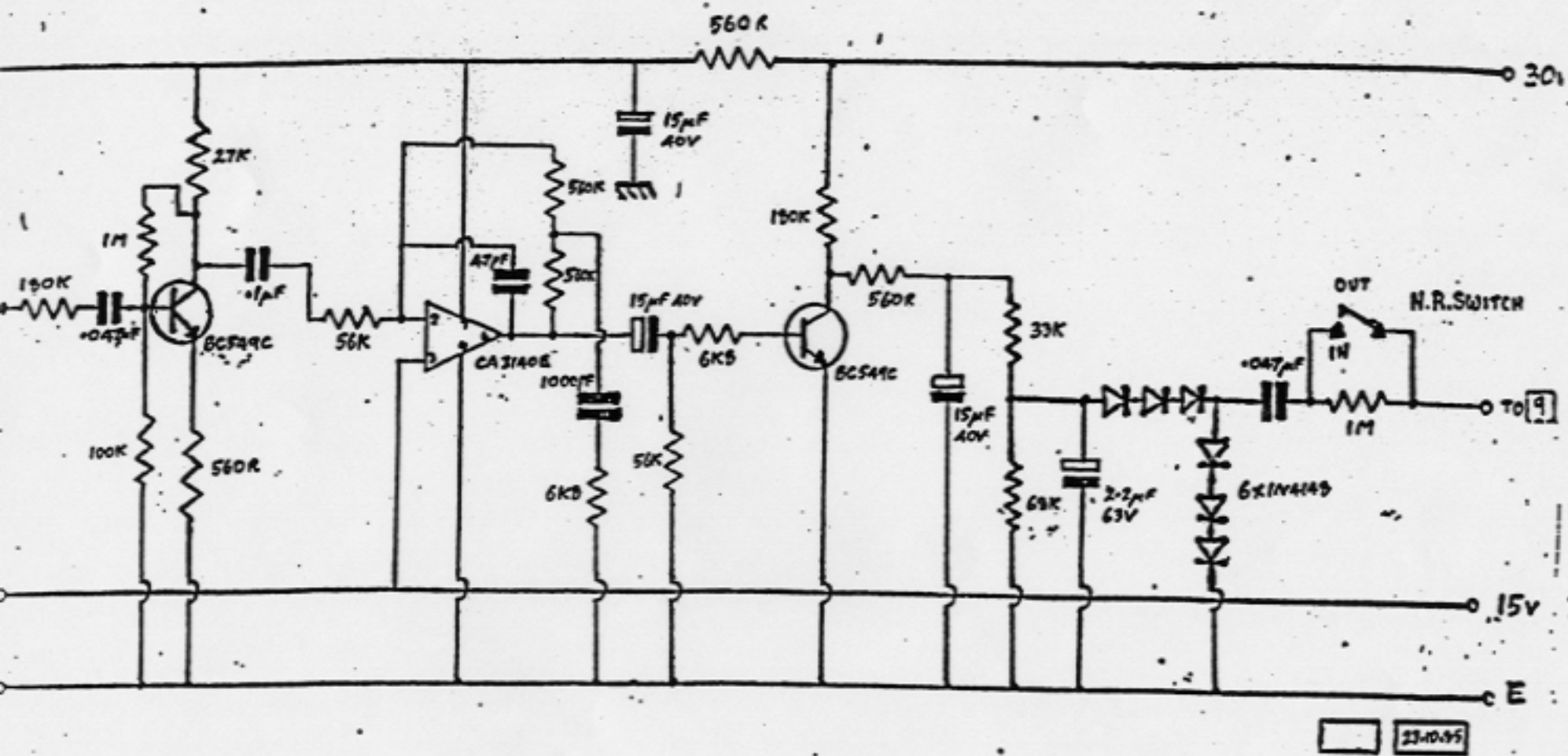
FROM C13/R14  
SHEET 3.



⑤ TRACE ELLIOT GP.11 mk2 EVEN No. BANDS



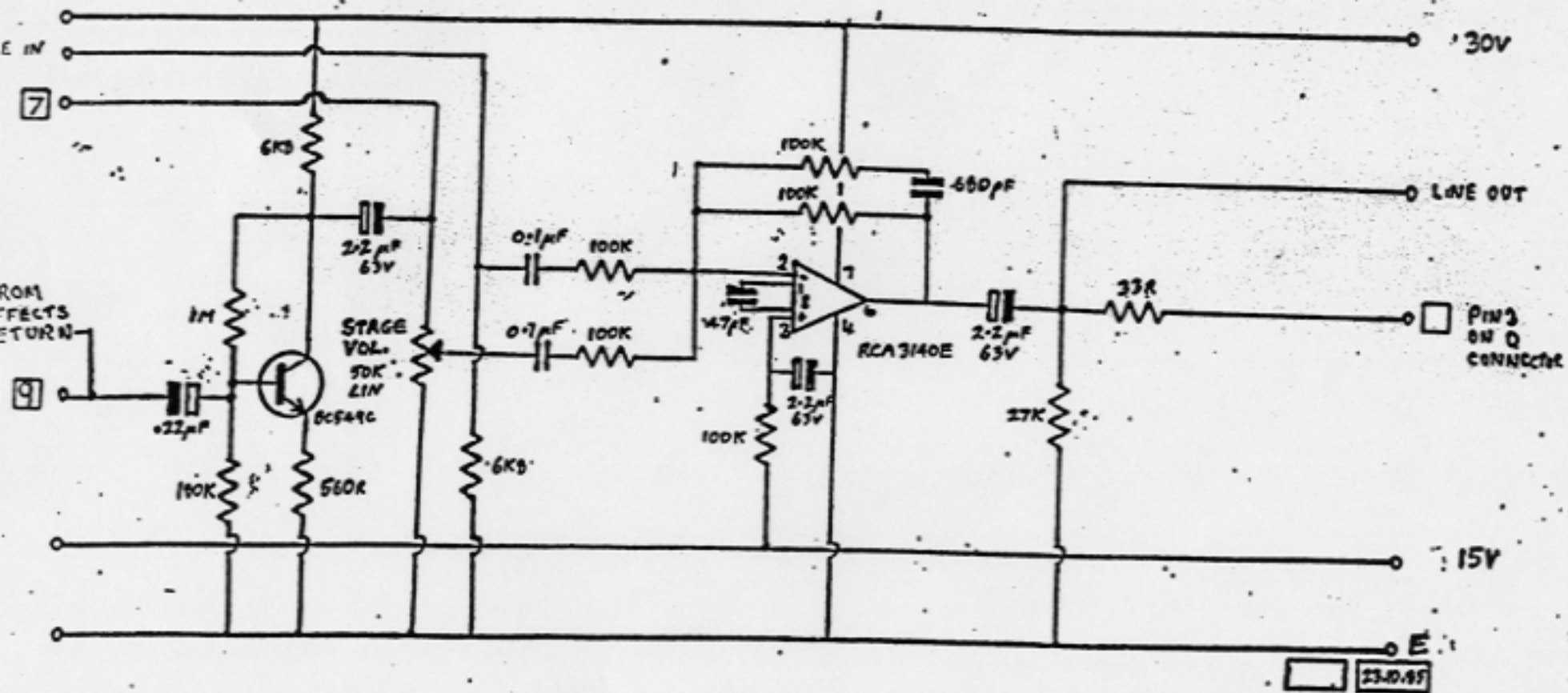
⑥ TRACE ELLIOT GP11 mk.2 P.S.U. & INDICATORS. VIA 4M7 Dropper



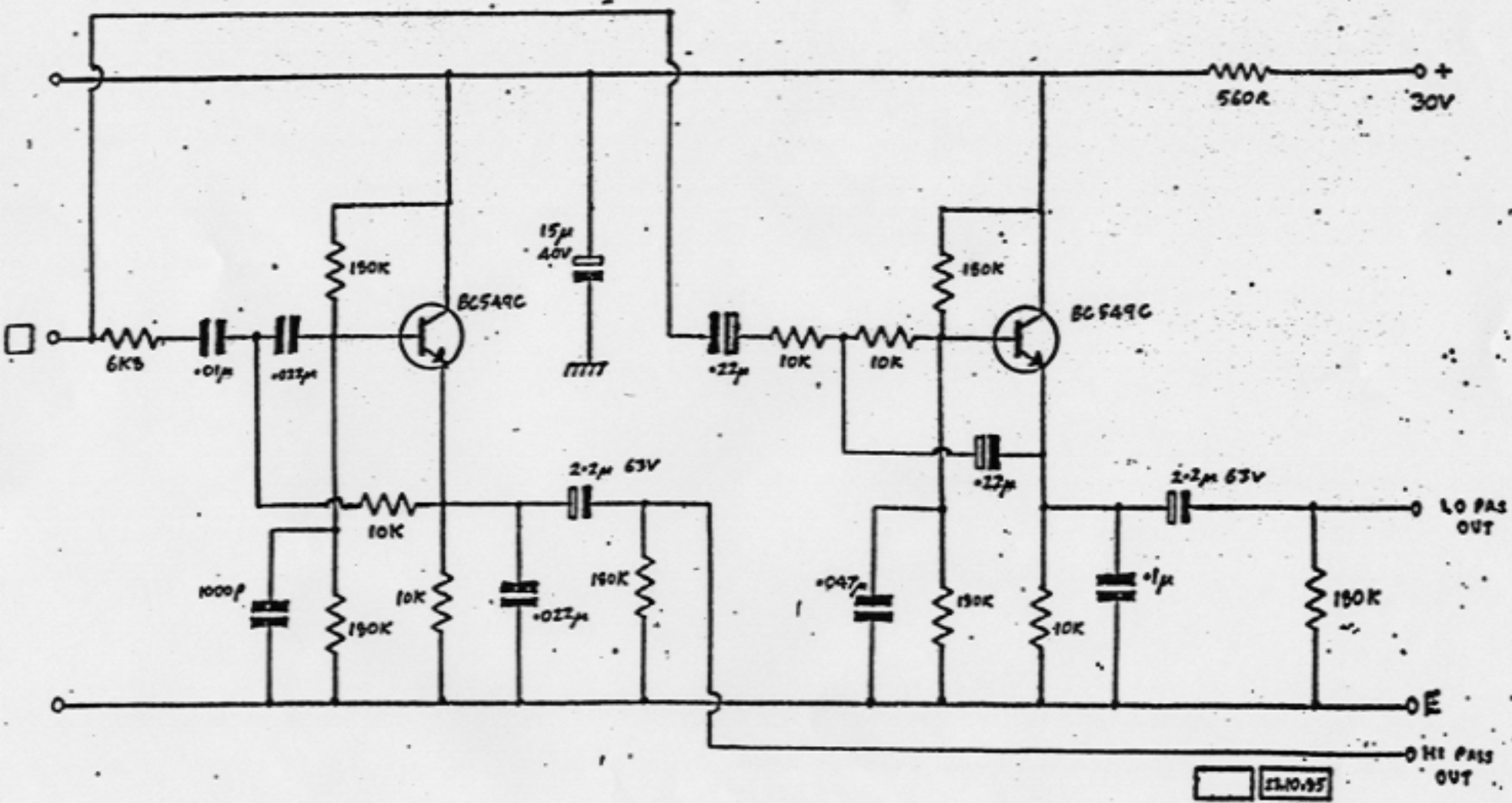
23-10-95

⑦ TRACE ELLIOT GP11 mk 2 NOISE REDUCTION.





⑧ TRACE ELLIOT GP11 mk 2 OUTPUT STAGE.



⑨ TRACE ELLIOT GP11 mk 2 FILTERS (FITTED TO GP11 19110V SELF-POWERED UNIT ONLY)