

TRACE ELLIOT

SERVICE MANUAL NO. SM00055

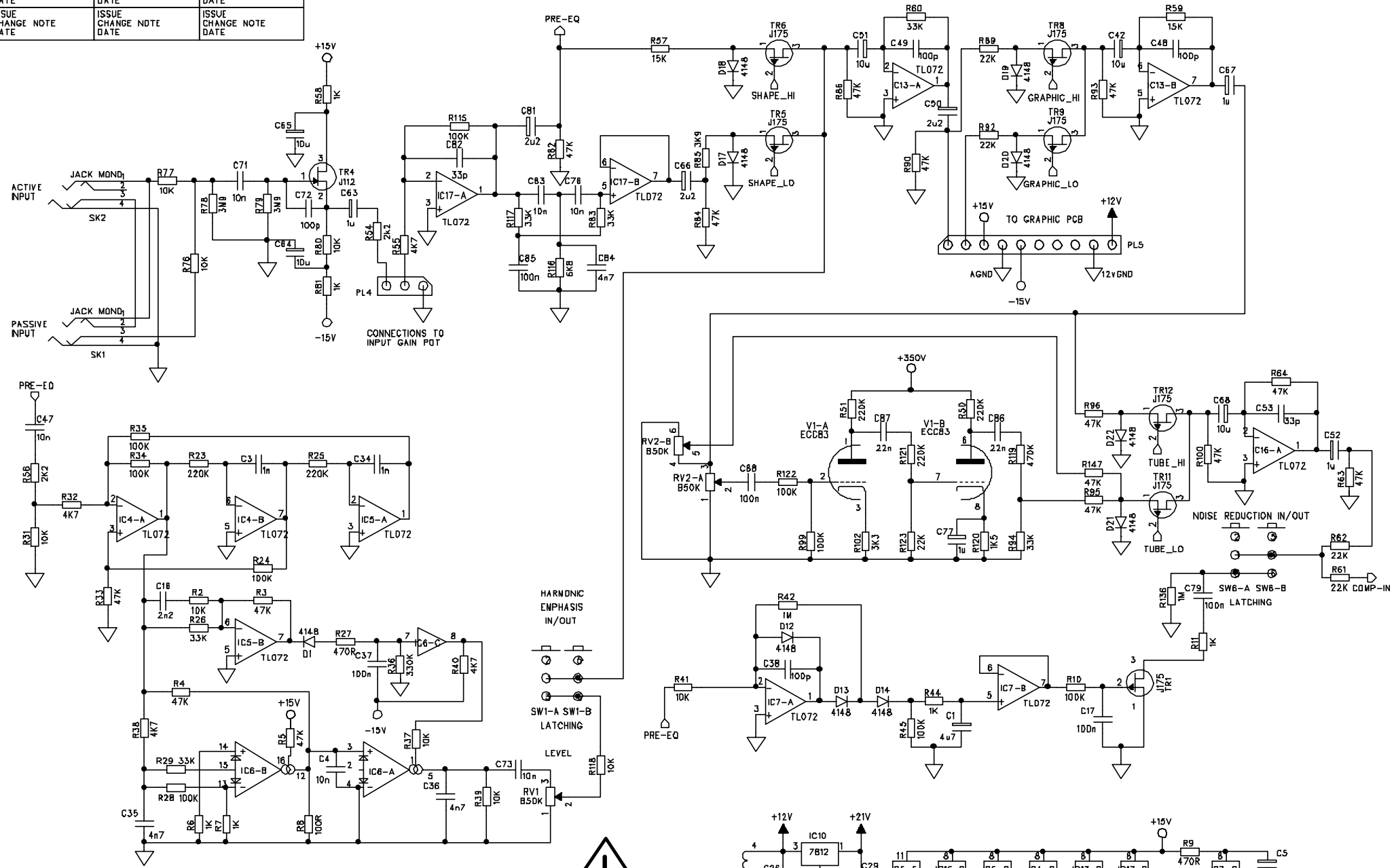
ISSUE 1

Product Code: T0665/ T0670
Model No : AH1000-12/ RAH1000-12
+ Midi Board.
Technical File No : TE00055

Issued by:

**Trace Elliot Limited.
Blackwater Trading Estate
The Causeway, Maldon
Essex CM9 4GG.**

ISSUE CHANGE NOTE DATE	ISSUE CHANGE NOTE DATE	ISSUE CHANGE NOTE DATE
ISSUE CHANGE NOTE DATE	ISSUE CHANGE NOTE DATE	ISSUE CHANGE NOTE DATE



PCB = PCD099

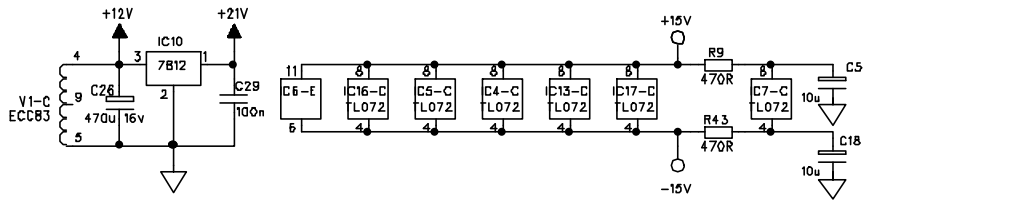
TITLE PREAMP
 PROJECT CP12 98
 DRAWING No CD0098 SHEET 1 of 3
 ISSUE 2
 DATE 15/1/99
 DRAWN BY CLIVE BUTTON

TRACE ELLIOT
 TRACE ELLIOT LIMITED
 WALDON ESSEX CM9 7GG
 ENGLAND
 TEL (01621) 855266
 FAX (01621) 851975

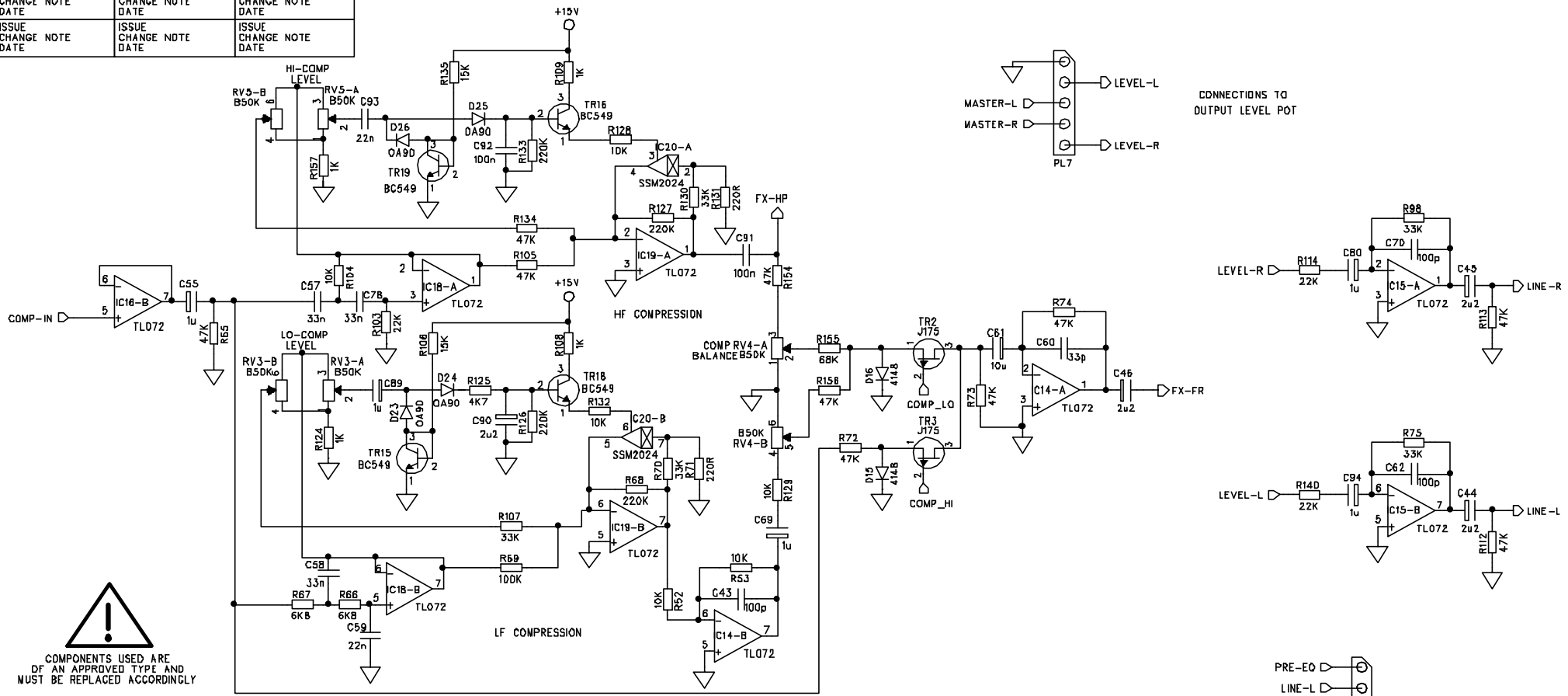
NOT USED

IC6-D

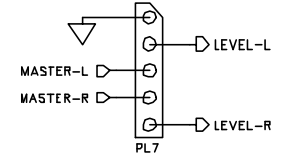
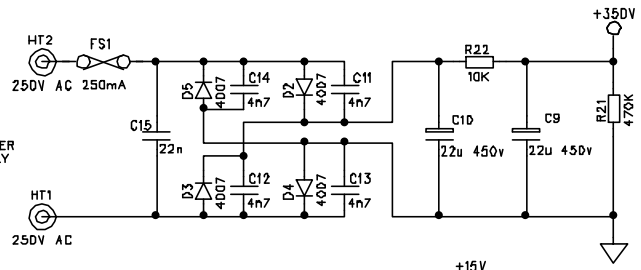
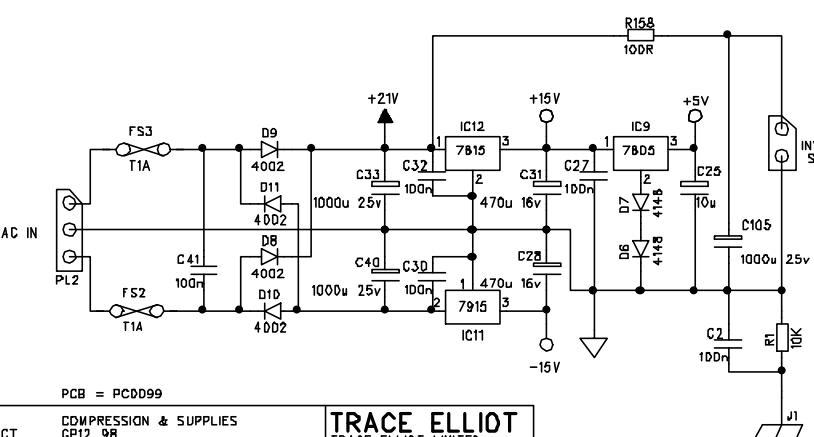
COMPONENTS USED ARE OF AN APPROVED TYPE AND MUST BE REPLACED ACCORDINGLY



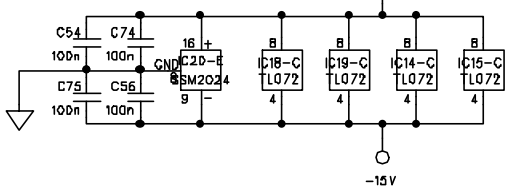
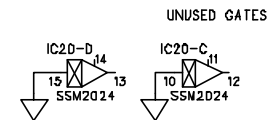
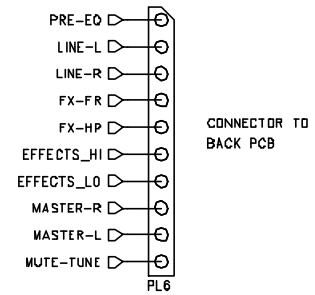
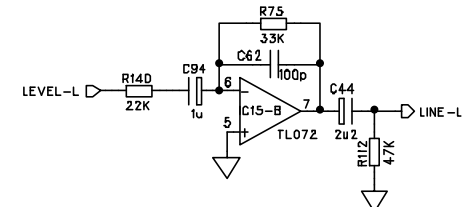
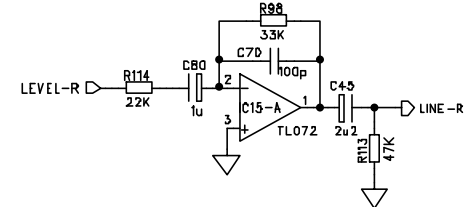
ISSUE CHANGE NOTE DATE	ISSUE CHANGE NOTE DATE	ISSUE CHANGE NOTE DATE
ISSUE CHANGE NOTE DATE	ISSUE CHANGE NOTE DATE	ISSUE CHANGE NOTE DATE



COMPONENTS USED ARE OF AN APPROVED TYPE AND MUST BE REPLACED ACCORDINGLY



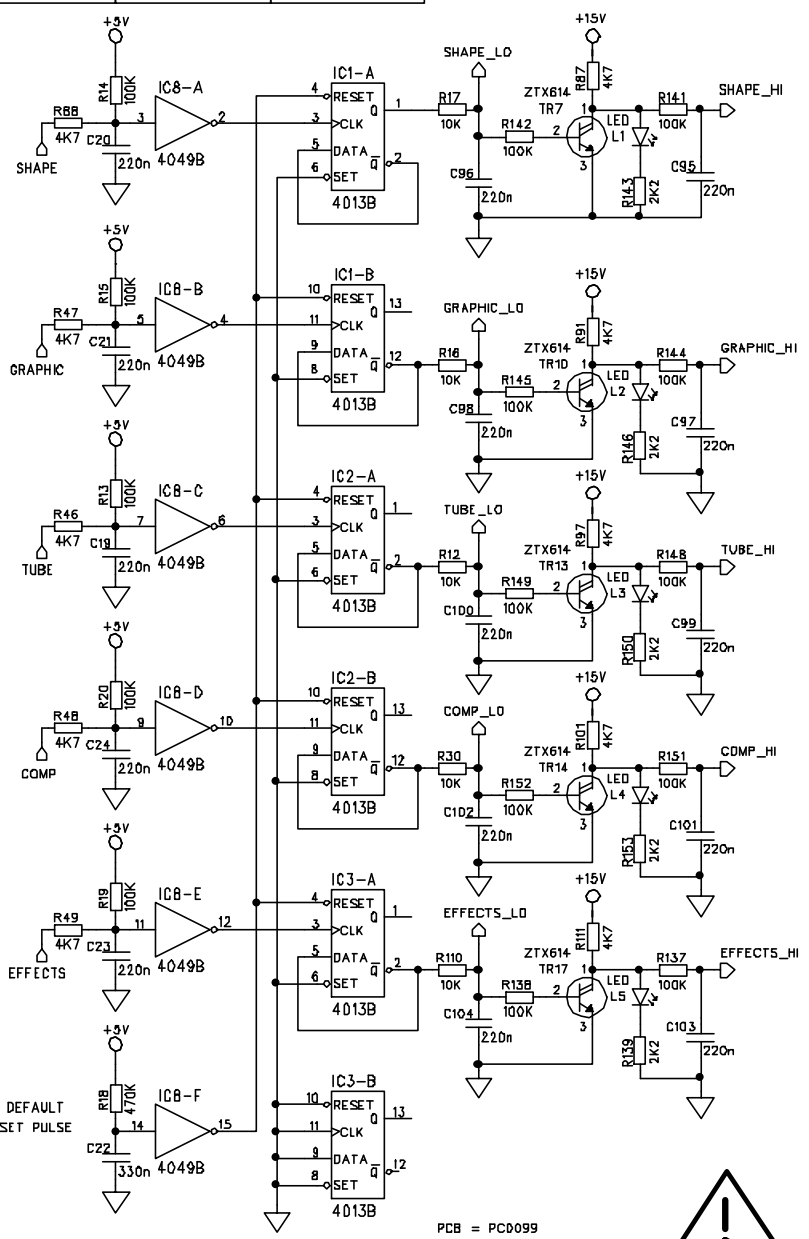
CONNECTIONS TO OUTPUT LEVEL POT



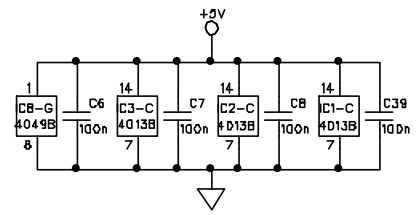
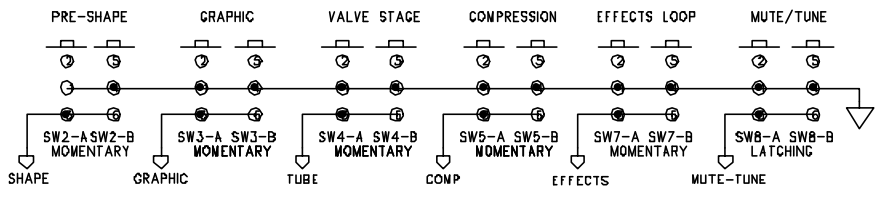
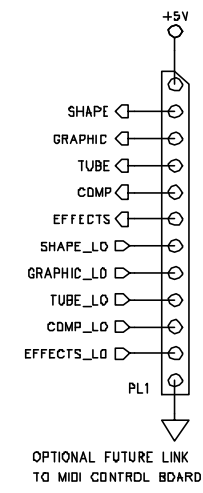
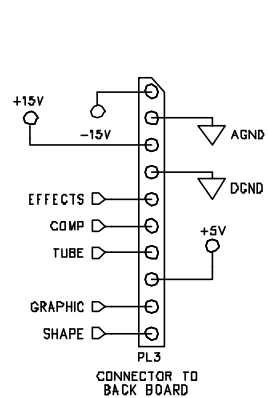
PCB = PCDD99
 TITLE
 PROJECT GP12_98
 DRAWING No CDD099 SHEET 2 of 3
 ISSUE 2
 DATE 15/1/99
 DRAWN BY CLIVE BUTTON

TRACE ELLIOT
 TRACE ELLIOT LIMITED
 WALDON ESSEX CM9 7GG
 ENGLAND
 TEL (01621) 855266
 FAX (01621) 851975

ISSUE CHANGE NOTE DATE	ISSUE CHANGE NOTE DATE	ISSUE CHANGE NOTE DATE
ISSUE CHANGE NOTE DATE	ISSUE CHANGE NOTE DATE	ISSUE CHANGE NOTE DATE



PCB = PCD099



TITLE
PROJECT
DRAWING No
ISSUE
DATE
DRAWN BY

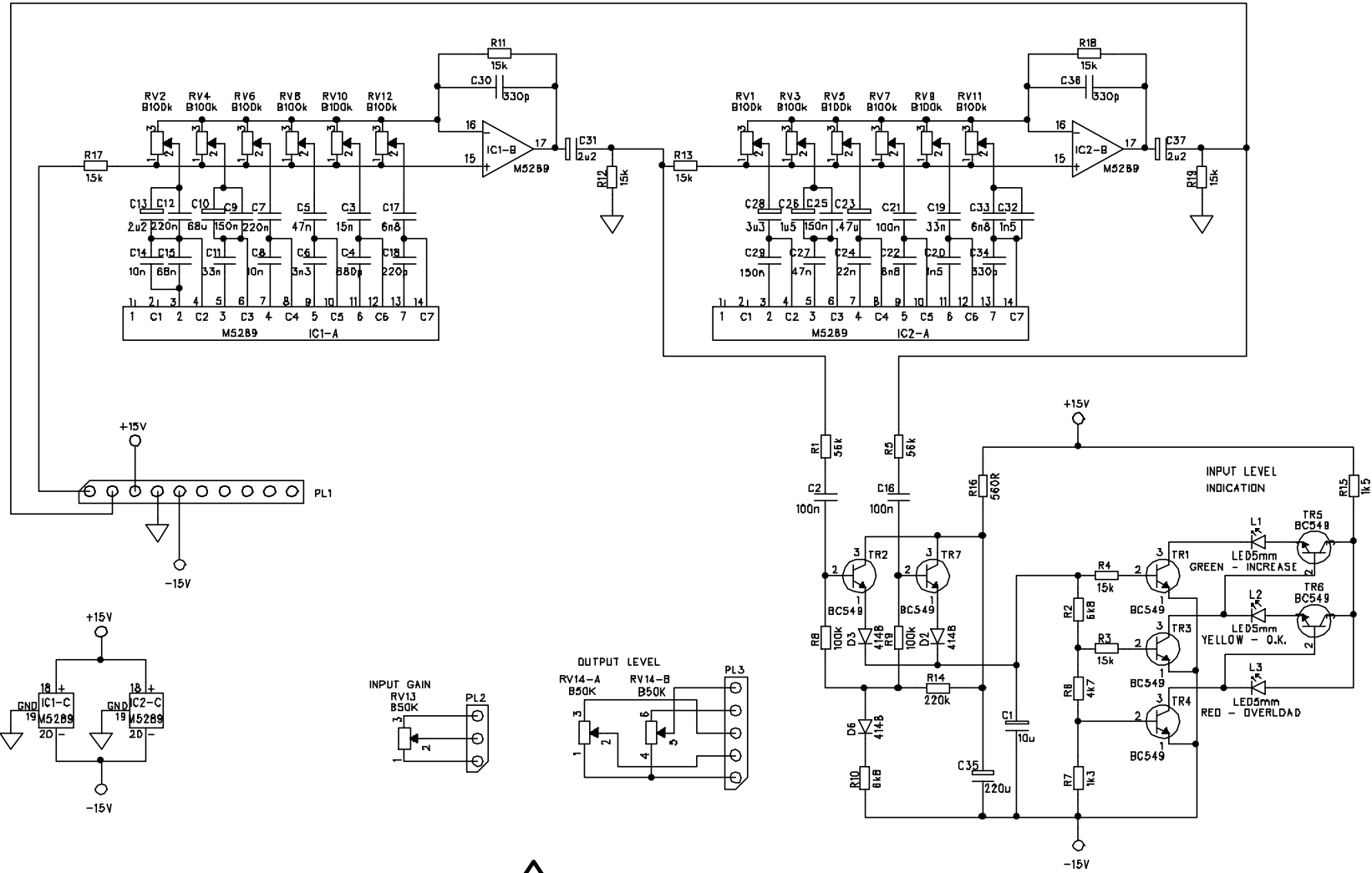
SWITCHING
GP12_98
CDD099 SHEET 3 of 3
2
15/1/99
CLIVE BUTTON

TRACE ELLIOT
TRACE ELLIOT LIMITED
WALDON ESSEX CM9 7GG
ENGLAND
TEL (01621) 855266
FAX (01621) 851975



COMPONENTS USED ARE
OF AN APPROVED TYPE AND
MUST BE REPLACED ACCORDINGLY

ISSUE CHANGE NOTE DATE	ISSUE CHANGE NOTE DATE	ISSUE CHANGE NOTE DATE
ISSUE CHANGE NOTE DATE	ISSUE CHANGE NOTE DATE	ISSUE CHANGE NOTE DATE



PCB = PC0100

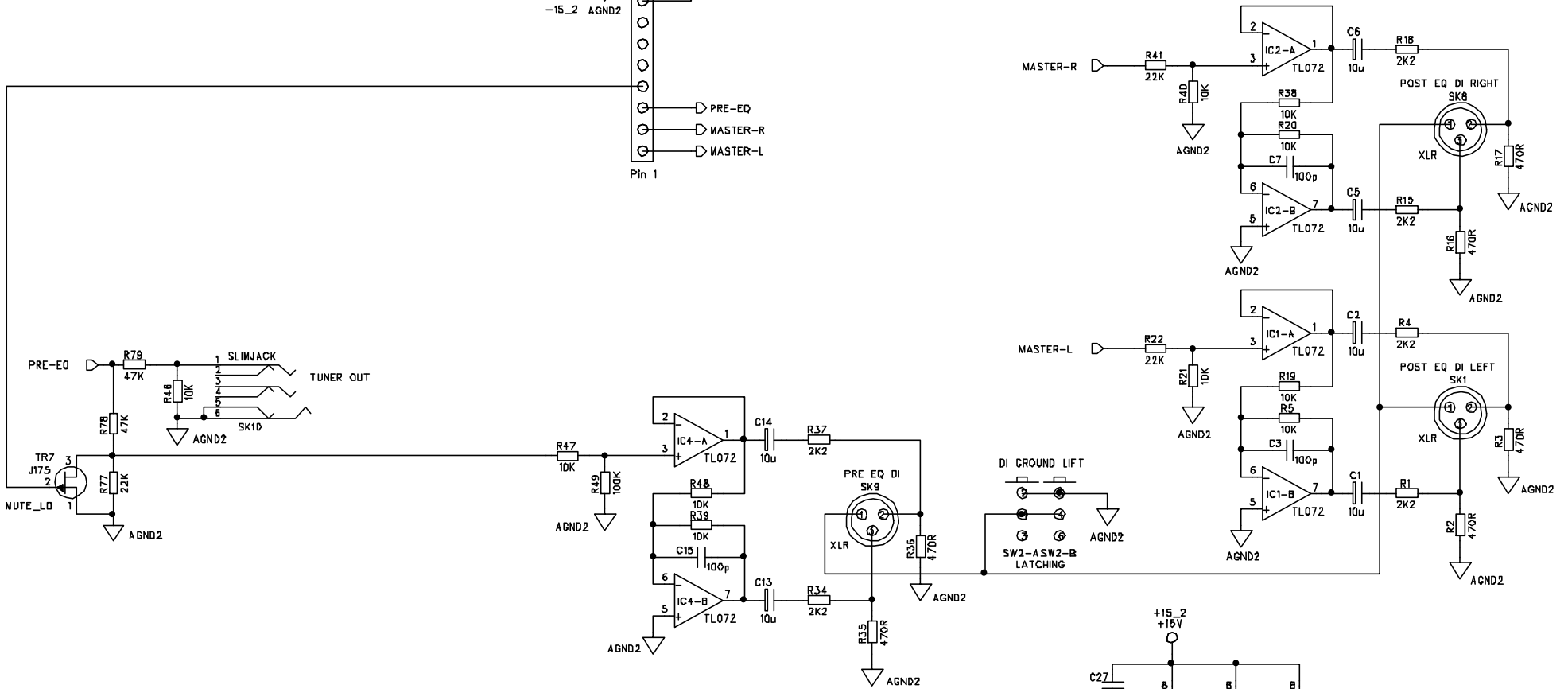
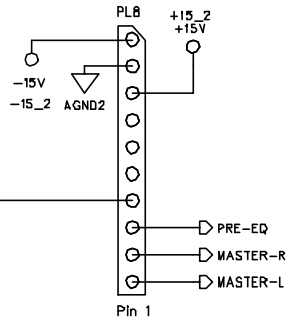
TITLE GRAPHIC & LEVEL INDICATION
 PROJECT CP12SMX MK 2
 DRAWING No CD0100
 ISSUE 1
 DATE 15/1/93
 DRAWN BY CLIVE BUTTON

TRACE ELLIOT
 TRACE ELLIOT LIMITED
 WALDDON ESSEX CM9 7GG
 ENGLAND
 TEL (01621) 855266
 FAX (01621) 851975


 COMPONENTS USED ARE
 OF AN APPROVED TYPE AND
 MUST BE REPLACED ACCORDINGLY

ISSUE CHANGE NOTE DATE	ISSUE CHANGE NOTE DATE	ISSUE CHANGE NOTE DATE
ISSUE CHANGE NOTE DATE	ISSUE CHANGE NOTE DATE	ISSUE CHANGE NOTE DATE

CONNECTOR
FROM EFFECTS PCB



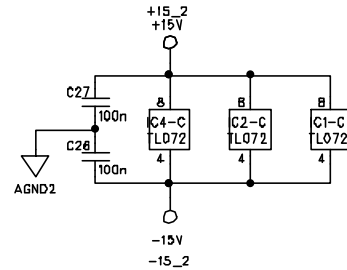
PCB = PC00103



COMPONENTS USED ARE
OF AN APPROVED TYPE AND
MUST BE REPLACED ACCORDINGLY

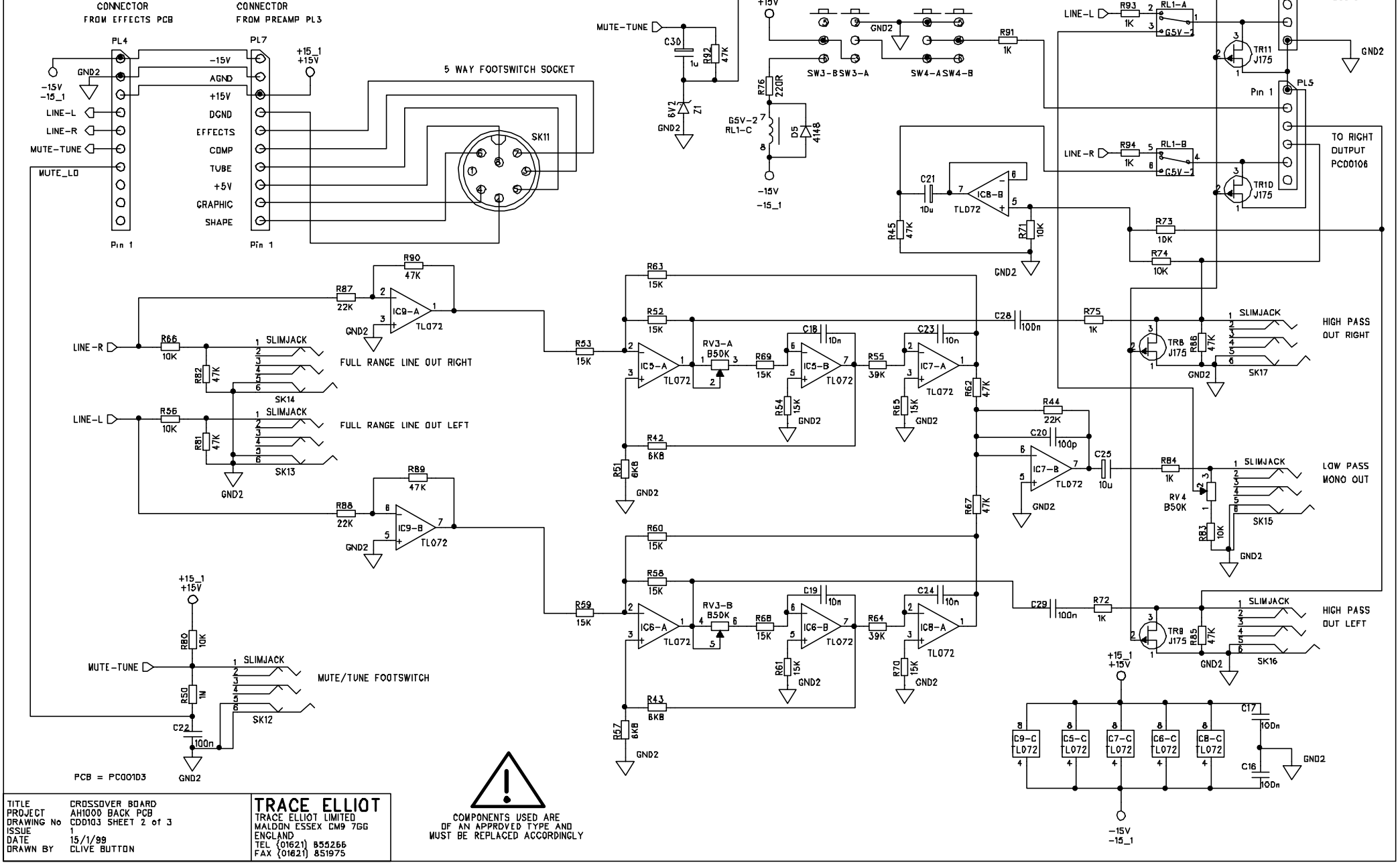
TITLE DI BOARD
PROJECT AH1000 BACK PCB
DRAWING No CD0103 SHEET 1 of 3
ISSUE 1
DATE 15/1/99
DRAWN BY CLIVE BUTTON

TRACE ELLIOT
TRACE ELLIOT LIMITED
WALDDON ESSEX CM9 7GG
ENGLAND
TEL (01621) 855266
FAX (01621) 851975




ISSUE CHANGE NOTE DATE	ISSUE CHANGE NOTE DATE	ISSUE CHANGE NOTE DATE
ISSUE CHANGE NOTE DATE	ISSUE CHANGE NOTE DATE	ISSUE CHANGE NOTE DATE

ISSUE CHANGE NOTE DATE	ISSUE CHANGE NOTE DATE	ISSUE CHANGE NOTE DATE
ISSUE CHANGE NOTE DATE	ISSUE CHANGE NOTE DATE	ISSUE CHANGE NOTE DATE



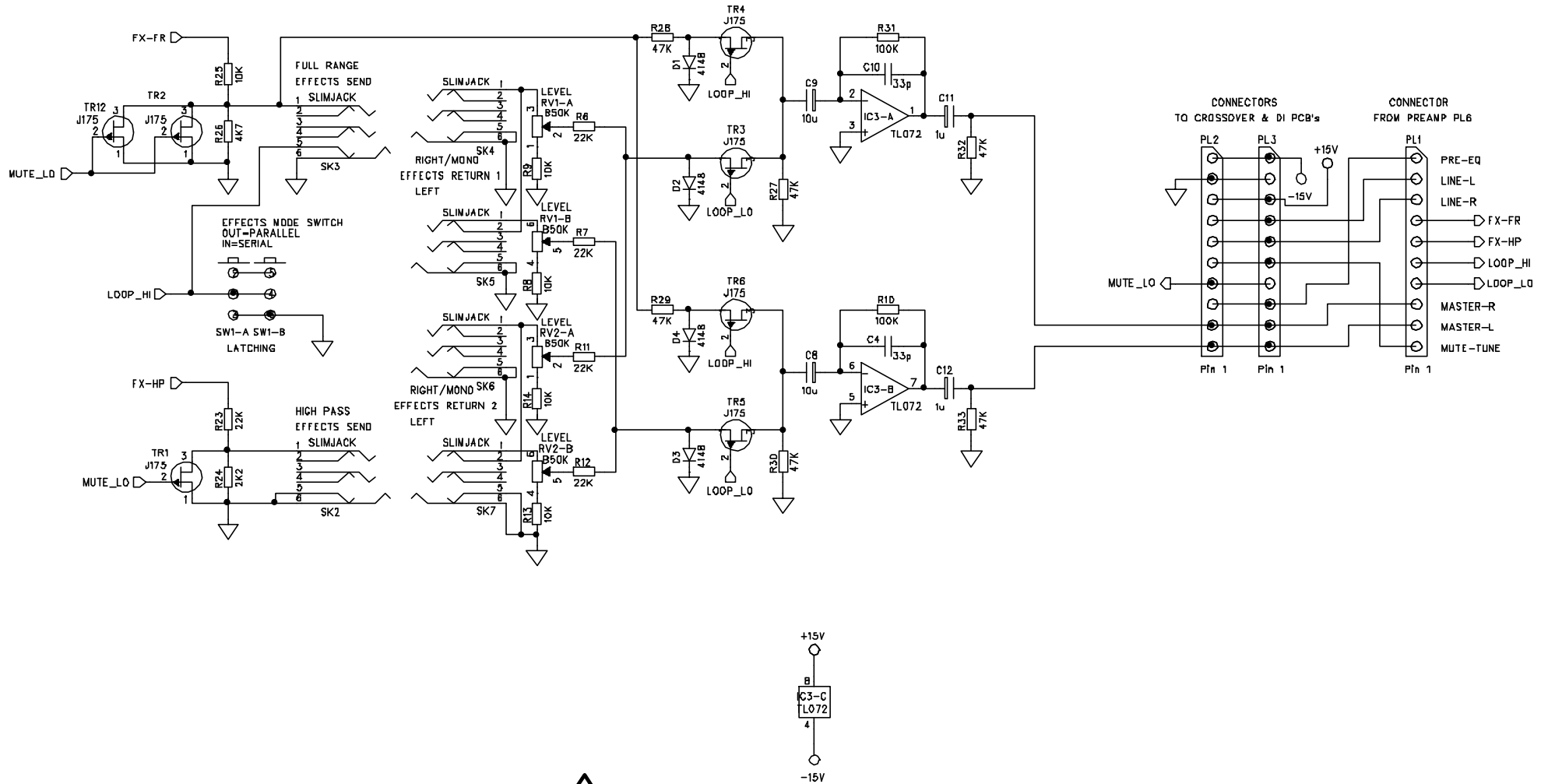
TITLE CROSSOVER BOARD
 PROJECT AH1000 BACK PCB
 DRAWING No CDD103 SHEET 2 of 3
 ISSUE 1
 DATE 15/1/99
 DRAWN BY CLIVE BUTTON

TRACE ELLIOT
 TRACE ELLIOT LIMITED
 MALDON ESSEX CM9 7GG
 ENGLAND
 TEL (01621) 855266
 FAX (01621) 851975


 COMPONENTS USED ARE
 OF AN APPROVED TYPE AND
 MUST BE REPLACED ACCORDINGLY

-15V
-15_1

ISSUE CHANGE NOTE DATE	ISSUE CHANGE NOTE DATE	ISSUE CHANGE NOTE DATE
ISSUE CHANGE NOTE DATE	ISSUE CHANGE NOTE DATE	ISSUE CHANGE NOTE DATE

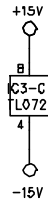


PCB = PC00103

TITLE EFFECTS BOARD
 PROJECT AH1000 BACK PCB's
 DRAWING No CD0103 SHEET 3 of 3
 ISSUE 1
 DATE 15/1/99
 DRAWN BY CLIVE BUTTON

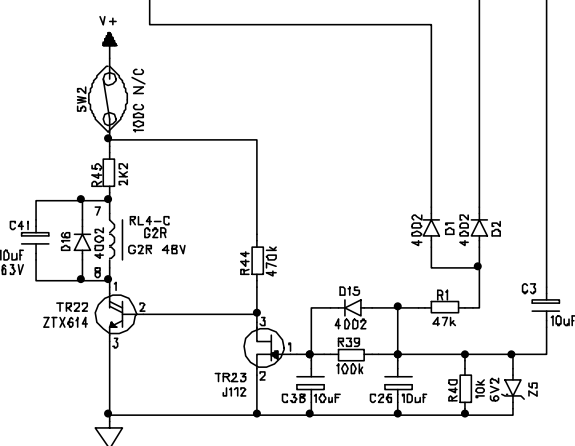
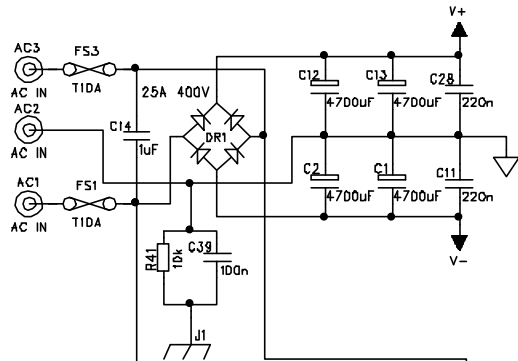
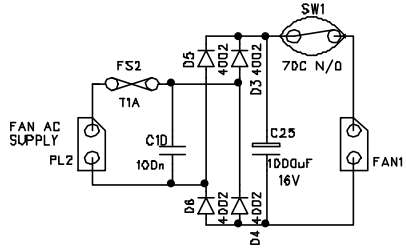
TRACE ELLIOT
 TRACE ELLIOT LIMITED
 WALDON ESSEX CM9 7GG
 ENGLAND
 TEL (01621) 855266
 FAX (01621) 851975

COMPONENTS USED ARE
 OF AN APPROVED TYPE AND
 MUST BE REPLACED ACCORDINGLY



ISSUE CHANGE NOTE DATE	ISSUE CHANGE NOTE DATE	ISSUE CHANGE NOTE DATE
ISSUE CHANGE NOTE DATE	ISSUE CHANGE NOTE DATE	ISSUE CHANGE NOTE DATE

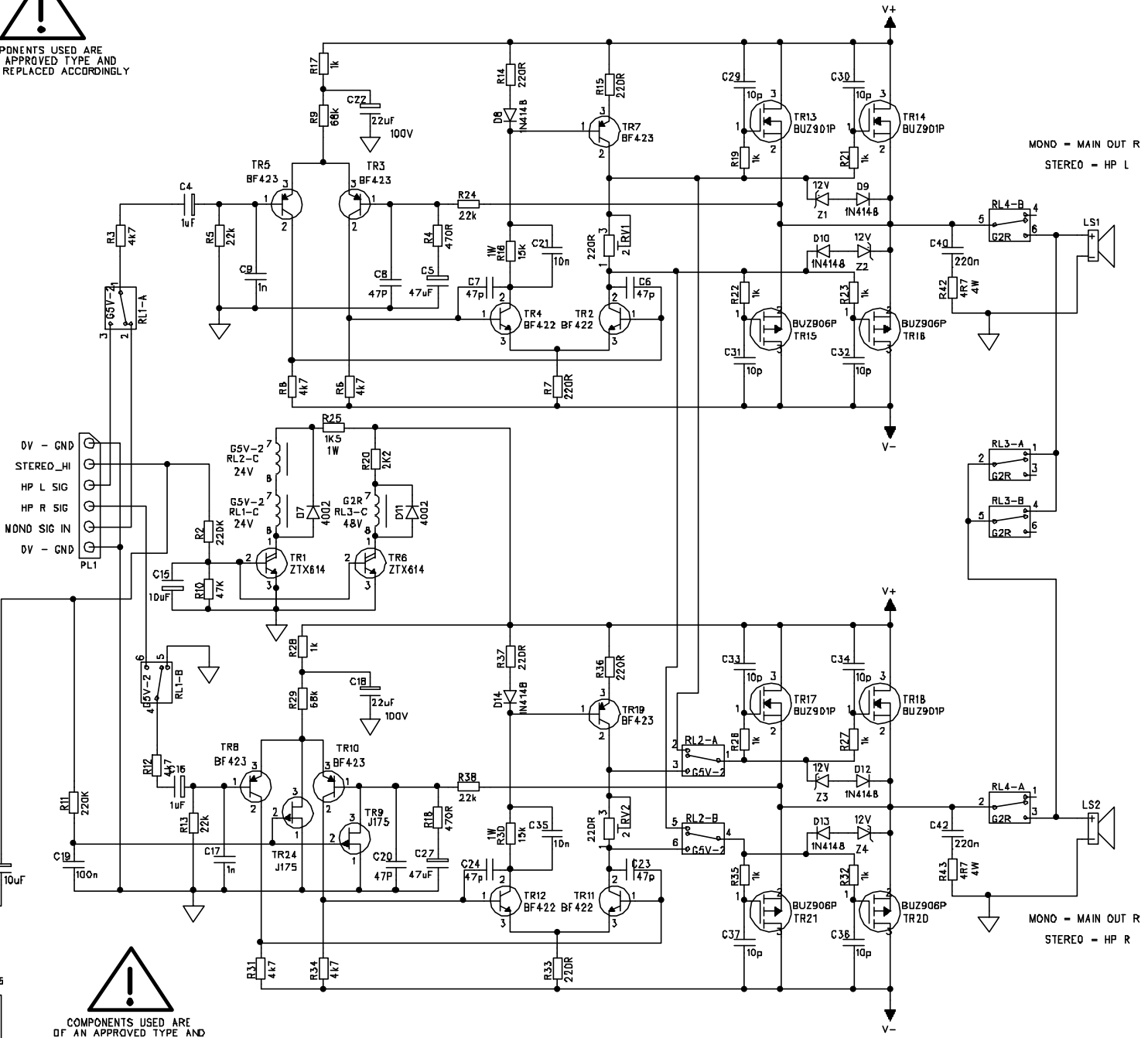

 COMPONENTS USED ARE
 OF AN APPROVED TYPE AND
 MUST BE REPLACED ACCORDINGLY



PCB = PC00106


 COMPONENTS USED ARE
 OF AN APPROVED TYPE AND
 MUST BE REPLACED ACCORDINGLY

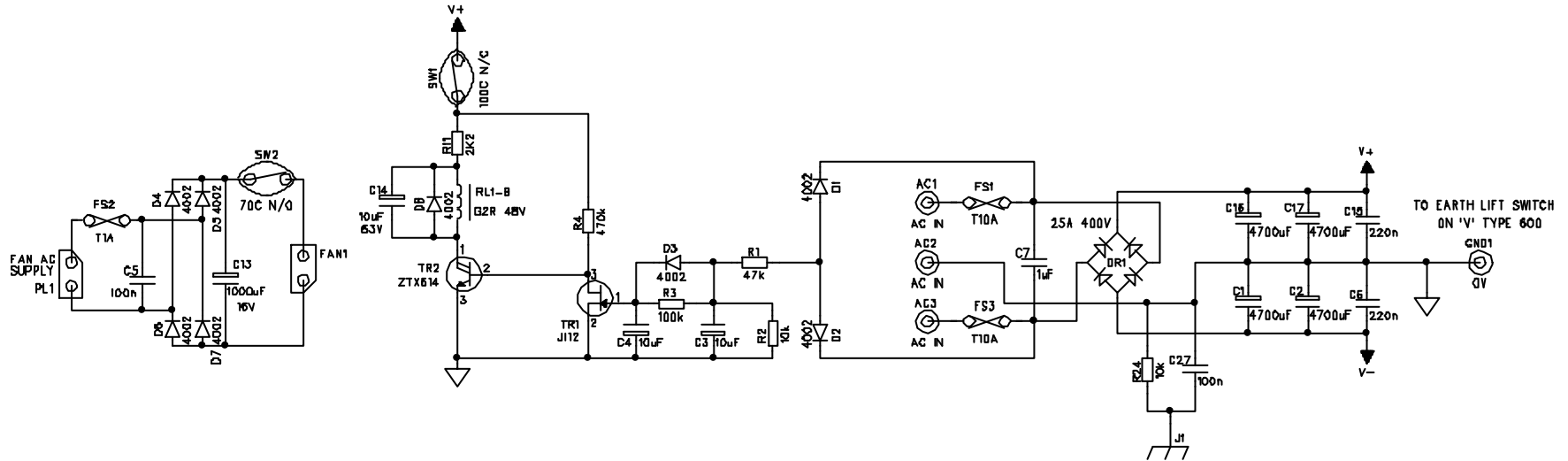
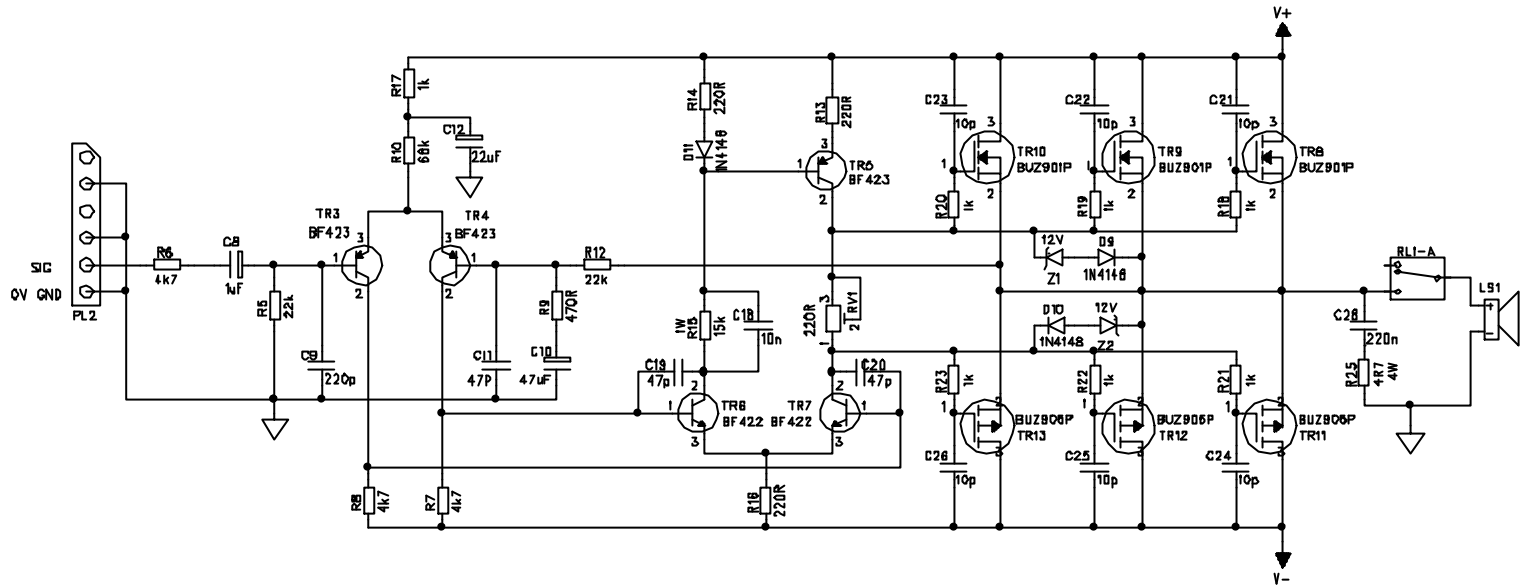
TITLE	AH100D MONO/STEREO OUTPUT	TRACE ELLIOT TRACE ELLIOT LIMITED WALDON ESSEX CM9 7GG ENGLAND TEL (01621) 855266 FAX (01621) 852975
PROJECT	CP12_98 RANGE	
DRAWING No	CD0008	
ISSUE	2	
DATE	15/1/99	
DRAWN BY	CLIVE BUTTON	



MONO - MAIN OUT R
STEREO - HP L

MONO - MAIN OUT R
STEREO - HP R

ISSUE CHANGE NOTE DATE	ISSUE CHANGE NOTE DATE	ISSUE CHANGE NOTE DATE
ISSUE CHANGE NOTE DATE	ISSUE CHANGE NOTE DATE	ISSUE CHANGE NOTE DATE



PCB - PC00104

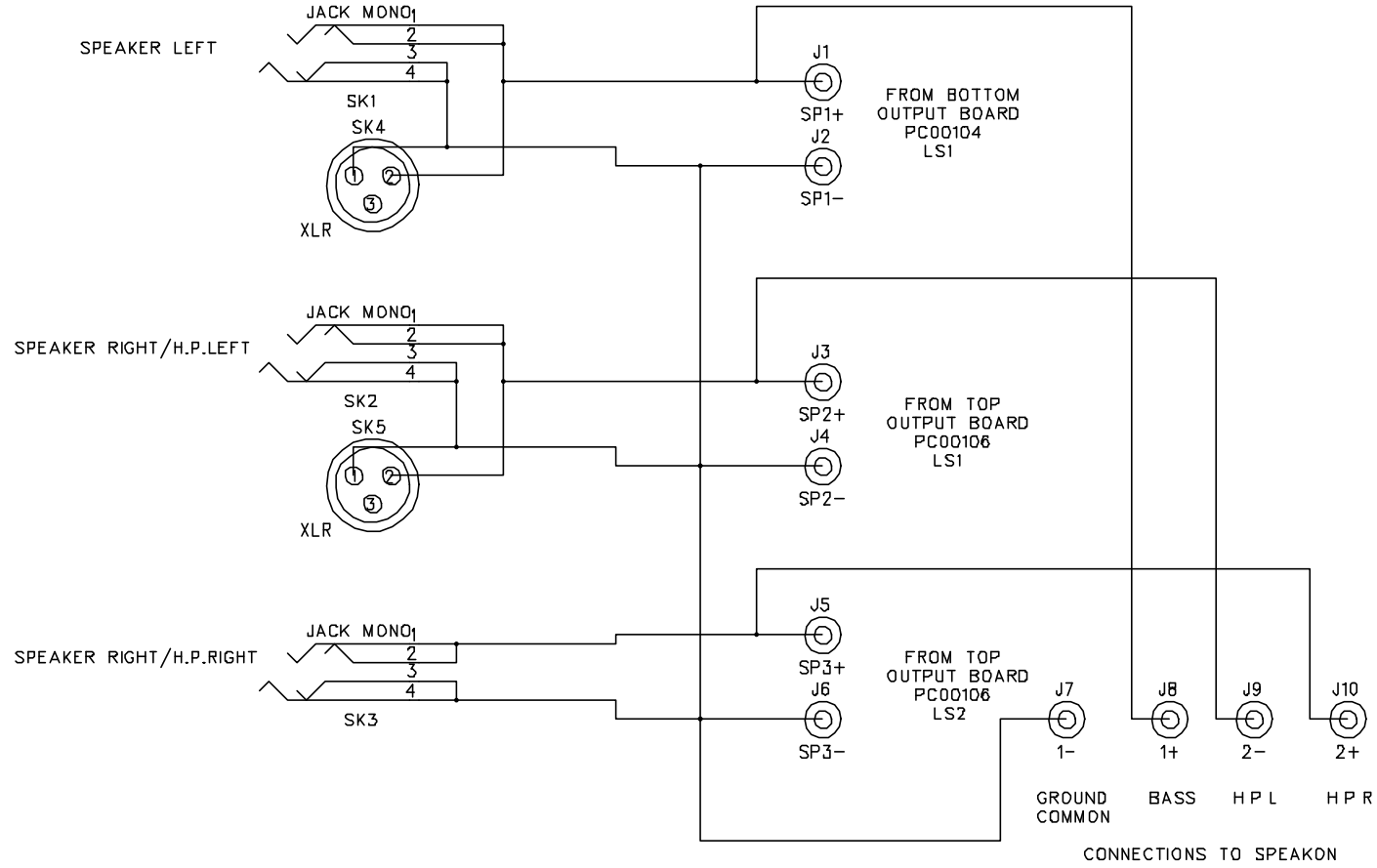
TITLE AH500/V800 OUTPUT STAGE
 PROJECT CPI2_95 RANGE
 DRAWING No C000107
 ISSUE 2
 DATE 16/1/99
 DRAWN BY CLIVE BUTTON

TRACE ELLIOT
 TRACE ELLIOT LIMITED
 WALDON ESSEX CM9 7QC
 ENGLAND
 TEL (01821) 855288
 FAX (01821) 851975



COMPONENTS USED ARE
 OF AN APPROVED TYPE AND
 MUST BE REPLACED ACCORDINGLY

ISSUE CHANGE NOTE DATE	ISSUE CHANGE NOTE DATE	ISSUE CHANGE NOTE DATE
ISSUE CHANGE NOTE DATE	ISSUE CHANGE NOTE DATE	ISSUE CHANGE NOTE DATE

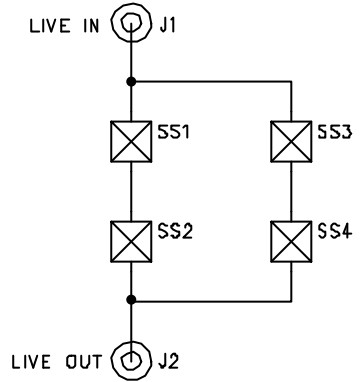


COMPONENTS USED ARE
OF AN APPROVED TYPE AND
MUST BE REPLACED ACCORDINGLY

TITLE SPEAKER CONNECTOR BOARD
PROJECT AH1000
DRAWING No CDD0116
ISSUE 1
DATE 15/1/99
DRAWN BY CLIVE BUTTON3

TRACE ELLIOT
TRACE ELLIOT LIMITED
MALDON ESSEX CM9 7GG
ENGLAND
TEL (01621) 855266
FAX (01621) 851975

ISSUE CHANGE NOTE DATE	ISSUE CHANGE NOTE DATE	ISSUE CHANGE NOTE DATE
ISSUE CHANGE NOTE DATE	ISSUE CHANGE NOTE DATE	ISSUE CHANGE NOTE DATE



FIT SS1 & SS2 FOR THE FOLLOWING--

- AH300 230V 100V & 110V
- AH500 230V 100V & 110V
- AH1000 230V ONLY

FIT ALL 4 X TREHMISTORS SS1 TO SS4 FOR:-

- AH1000 100V & 110V

PCB - PC00110

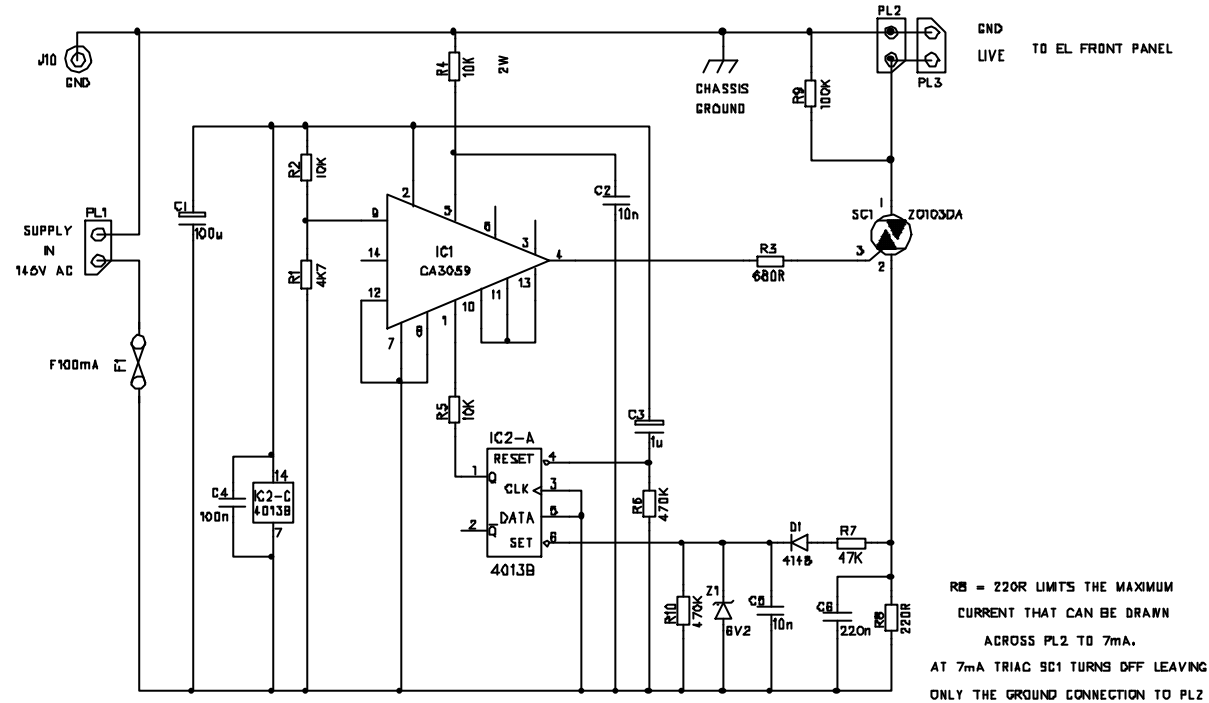
TITLE SOFT START
PROJECT GP12_98
DRAWING No CD00118
ISSUE 1
DATE 15/1/99
DRAWN BY CLIVE BUTTON

TRACE ELLIOT
TRACE ELLIOT LIMITED
MALDON ESSEX CM9 7GG
ENGLAND
TEL (01621) 855266
FAX (01621) 851975

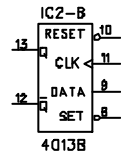


COMPONENTS USED ARE
OF AN APPROVED TYPE AND
MUST BE REPLACED ACCDRDINGLY

ISSUE CHANGE NOTE DATE	ISSUE CHANGE NOTE DATE	ISSUE CHANGE NOTE DATE
ISSUE CHANGE NOTE DATE	ISSUE CHANGE NOTE DATE	ISSUE CHANGE NOTE DATE



NOT USED



PCB = PC001B

TITLE EL PANEL AC CURRENT TRIP
 PROJECT CP7/12 PRODUCT RANGE
 DRAWING No C000123
 ISSUE 2
 DATE 18/11/99
 DRAWN BY CLIVE BUTTON

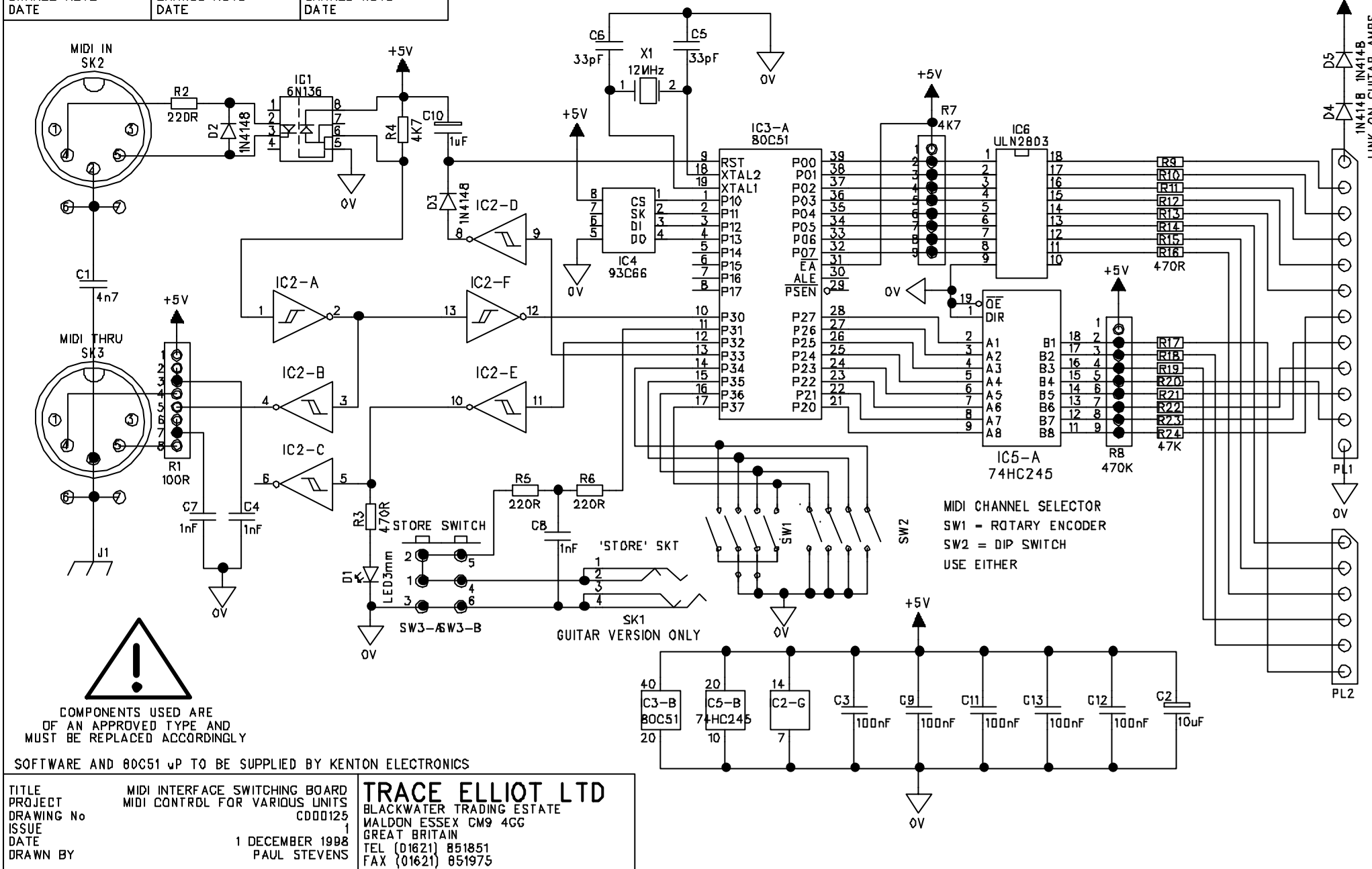
TRACE ELLIOT
 TRACE ELLIOT LIMITED
 WALTON ESSEX CM9 7CC
 ENGLAND
 TEL (01821) 855288
 FAX (01821) 851975



COMPONENTS USED ARE OF AN APPROVED TYPE AND MUST BE REPLACED ACCORDINGLY

MIDI INTERFACE SWITCHING BOARD

ISSUE CHANGE NOTE DATE	ISSUE CHANGE NOTE DATE	ISSUE CHANGE NOTE DATE
ISSUE CHANGE NOTE DATE	ISSUE CHANGE NOTE DATE	ISSUE CHANGE NOTE DATE



TITLE: MIDI INTERFACE SWITCHING BOARD
 PROJECT: MIDI CONTROL FOR VARIOUS UNITS
 DRAWING NO: CD00125
 ISSUE: 1
 DATE: 1 DECEMBER 1998
 DRAWN BY: PAUL STEVENS

TRACE ELLIOT LTD
 BLACKWATER TRADING ESTATE
 MALDON ESSEX CM9 4GG
 GREAT BRITAIN
 TEL (01621) 851851
 FAX (01621) 851975

C11-PC00125-12 issue 1

MIDI BOARD FOR USE ON 12 BAND RANGE

ISSUE 1 21/1/99 PS

Description		Part Code	Qty	Where Used
PCB		72-PCB-PC00125	1	ISSUE 1
A.I. MACHINE				
220R	1/4W resistor	72-RM220R	3	R2 R5 R6
470R	1/4W resistor	72-RM470R	6	R3 R9 - R13
4K7	1/4W resistor	72-RM4K7	1	R4
47K	1/4W resistor	72-RM47K	5	R20 - R24
33p	100V axial capacitor	72-C33P-100VCA	2	C5 C6
1n0	100V axial capacitor	72-C1N0-100VCA	3	C4 C7 C8
100n	100V axial capacitor	72-C100N-100VCA	5	C3 C9 C11 C12 C13
1N4148	diode	72-D-IN4148	4	D2 D3 D4 D5
2 nd STAGE				
100R	SIL 8/4 resistor pack	72-RSIL100R-8/4	1	R1
4K7	SIL 9/8 resistor pack	72-RSIL4K7-9/8	1	R7
470K	SIL 9/8 resistor pack	72-RSIL470K-9/8	1	R8
4n7	1KV ceramic capacitor	72-C4700P-1KVCD	1	C1
1u0	35V tantalum capacitor	72-C1-35VT	1	C10
10u	63V radial capacitor	72-C10-63VER	1	C2
12MHz	Crystal	72-XTAL-12MHZ	1	X1
Red LED 3mm		72-LED-RED-3MM	1	D1
INTERGRATED CIRCUITS				
Opto-isolator		72-IC-6N136	1	IC1
Schmitt hex invertor		72-IC-74HC14	1	IC2
40 pin DIL IC holder		72-SOCKET-40W	1	IC3
E2PROM		72-IC-93C66	1	IC4
Octal bus transceiver tri-state		72-IC-74HC245	1	IC5
Octal darlington driver TTL		72-IC-U LN2803A	1	IC6
SWITCHES				
Piano Style DIP switch		73-SWT-DIP-4W	1	SW2
Push Switch Momentary		73-SWT-F2UEE-MOM	1	SW3 on TOP of PCB
CONNECTORS				
12 way 0.1"		72-HEAD-12W	1	PL1
5 pin DIN SKT PCB		72-SKT-DIN-5PIN	2	SK2 SK3
MICROPROCESSOR				
80C51 Preprogrammed by KENTON		72-IC-80C51-K-1	1	IC3

ISSUE 3 INSERTION LIST. DONE ON 4/1/00 (R46-49 & R88 FROM 4K7 TO 1K)

Part Name	Part Code	Qty	Reference
PCB	73-PCB-PC00099	1	ISSUE 2
DIODE 1N4002	72-D-IN4002	4	D8-11
DIODE 1N4007	72-D-IN4007	4	D2-5
DIODE 1N4148	72-D-IN4148	14	D1 D6-7 D12-22
DIODE OA90	72-D-OA90-05	4	D23-26
R1/4W,100K	72-RM100K	25	R10 R13-15 R19-20 R24 R28 R34-35 R45 R69 R99 R115 R122 R137- 138 R141-142 R144-145 R148-149 R151-152
R1/4W,100R	72-RM100R	1	R8
R1/4W,10K	72-RM10K	24	R1-2 R12 R16-17 R22 R30-31 R37 R39 R41 R52-53 R76-77 R80 R104 R110 R114 R118 R128-129 R132 R140
R1/4W,15K	72-RM15K	4	R57 R59 R106 R135
R1/4W,1K	72-RM1K	15	R6-7 R11 R44 R46-R49 R58 R81 R88 R108-109 R124 R157
R1/4W,1K5	72-RM1K5	1	R120
R1/4W,1M	72-RM1M	2	R42 R136
R1/4W,220K	72-RM220K	9	R23 R25 R50-51 R68 R121 R126-127 R133
R1/4W,220R	72-RM220R	2	R71 R131
R1/4W,22K	72-RM22K	6	R61-62 R89 R92 R103 R123
R1/4W,2K2	72-RM2K2	7	R54 R56 R139 R143 R146 R150 R153
R1/4W,330K	72-RM330K	1	R36
R1/4W,33K	72-RM33K	11	R26 R29 R60 R70 R75 R83 R94 R98 R107 R117 R130
R1/4W,3K3	72-RM3K3	1	R102
R1/4W,3K9	72-RM3K9	1	R85
R1/4W,3M9	72-RM3M9	2	R78-79
R1/4W,470K	72-RM470K	3	R18 R21 R119
R1/4W,470R	72-RM470R	3	R9 R27 R43
R1/4W,47K	72-RM47K	25	R3-5 R33 R63-65 R72-74 R82 R84 R86 R90 R93 R95-96 R100 R105 R112-113 R134 R147

			R154 R156
R1/4W,4K7	72-RM4K7	10	R32 R38 R40 R55 R87 R91 R97 R101 R111 R125
R1/4W,68K	72-RM68K	1	R155
R1/4W,6K8	72-RM6K8	3	R66-67 R116
R1W,100R	72-RM100R-1WATT	1	R158
CAPCA,100n	72-C100N-100VCA	21	C2 C6-8 C17 C27 C29- 30 C32 C37 C39 C41 C54 C56 C74-75 C79 C85 C88 C91-92
CAPCA,100p	72-C100P-100VCA	7	C38 C43 C48-49 C62 C70 C72
CAPCA,10n	72-C10N-100VCA	6	C4 C47 C71 C73 C76 C83
CAPCA,1n	72-C1N-100VCA	2	C3 C34
CAPCA,220n	72-C220N-50VCA	15	C19-21 C23-24 C95-104
CAPCA,22n	72-C22N-100VCA	2	C59 C93
CAPCA,2n2	72-C2N2-100VCA	1	C16
CAPCA,330n	72-C330N-50VCA	1	C22
CAPCA,33n	72-C33N-100VCA	3	C57-58 C78
CAPCA,33p	72-C33P-100VCA	3	C53 C60 C82
CAPCA,4n7	72-C4N7-100VCA	3	C35-36 C84
CAPTANT,1u	72-C1-35VT	9	C52 C55 C63 C67 C69 C77 C80 C89 C94
CAPTANT,2u2	72-C2.2-35VT	7	C44-46 C50 C66 C81 C90
CAPCER,4n7	72-C4N7-400VP	4	C11-14
CAPE1,4u7 63V	72-C4.7-63VER	1	C1
CAPE1,10u 63V	72-C10-63VER	9	C5 C18 C25 C42 C51 C61 C64-65 C68
CAPE3,1000u 25v	72-C1000-25VER	3	C33 C40 C105
CAPE3,470u 16v	72-C470-16VER	3	C26 C28 C31
CAPE4,22u 450v	72-C22-450VER	2	C9-10
CAPP4,22n 250V	72-C22N-400VP	3	C15 C86-87
4013B	72-IC-4013B	3	IC1-3
4049B	72-IC-4049B	1	IC8
SSM2024	72-IC-SSM2024	1	IC20
TL072	72-IC-TL072	10	IC4-5 IC7 IC13-16 IC18 IC19
LM13700	72-IC-LM13700	1	IC6
LM833	72-IC-LM833	1	IC17
BC549	72-TBC549C	4	TR15-16 TR18-19
J112	72-FET-J-112	1	TR4
J175	72-FET-J-175	9	TR1-3 TR5-6 TR8-9 TR11-12

ZTX614	72-TZTX614	5	TR7 TR10 TR13-14 TR17
0.1" 2 WAY HEADER	72-HEAD-2W	1	PL8
0.1" 3 WAY HEADER	72-HEAD-3W-2	2	PL2 PL4 N.B. FOR ISSUE 2 PCBs PLEASE FIT PL4 THE WRONG WAY ROUND FOR USE WITH THE SCREENED CABLES FROM NC98
0.1" 5 WAY HEADER	72-HEAD-5W-2	1	PL7
2mm 10 WAY HEADER	72-HEAD-10W-TEG	3	PL3 PL5-6
0.1" 12 WAY HEADER	72-HEAD-12W	1	PL1
LED 3mm ORANGE	72-LED-ORG-3MM	1	L1
LED 3mm YELLOW	72-LED-YEL-3MM	1	L5
LED 3mm GREEN	72-LED-GRN-3MM	1	L2
LED 3mm BLUE	72-LED-BLU-3MM	1	L4
LED 3mm RED	72-LED-RED-3MM	1	L3
7805	72-IC-7805-REG	1	IC9
7812	72-IC-7812-REG	1	IC10
7815	72-IC-7815-REG	1	IC12
7915	72-IC-7915-REG	1	IC11
SMALL HEATSINK	71-HS-TEG	4	IC9-12
M3 X 12 SCREW	71-SCR-M3X12PPB	4	FOR HEATSINKS
M3 NUT	71-NUT-M3ZINC	4	FOR HEATSINKS
M3 SP WASHER	71-WAS-M3INTSP	4	FOR HEATSINKS
B9A VALVE BASE	73-VAL-SOCKET	1	V1
ECC83	73-VAL-ECC83	1	V1
PCBFUSECLIP	72-FUS-HLD-PCB-4	6	FS1-3
20mm T1A FUSE	72-FUS-1A-T-UK	2	FS2-3
20mm T250Ma FUSE	72-FUS-250MA-T	1	FS1
PCB SPADE	72-CRIMP-PCB-TAB	2	HT1-2 N.B. do not fit the GND1 spade.
PUSH SW LATCHING	73-SWT-F2UEE	3	SW1 SW6 SW8
PUSH SW MOMENTARY	73-SWT-F2UEE-MOM	5	SW2-5 SW7
JACKMONO BNBG	72-SKT-JCKBNBG	2	SK1-2
POTDUAL,B50K	73-POT-50K-DG	2	RV2 RV4
POTDUAL,B5K	73-POT-B5K-DG	2	RV3 RV5
POTSINGLE,B50K	73-POT-50KB	1	RV1

LED LEGS BENT AT RT ANGLES 6MM FROM BODY AND MOUNTED OVER
EDGE OF PCB FROM UNDERSIDE.

C12-PC00100x2. GP12_98 FRONT PCB - PC0100x1
CLIVE BUTTON – 18/2/99

VERSION 2 (LED SPACERS)

Description	Part Code	Qty	Where Used
IN4148	72-D-IN4148	3	D2-3 D6
R1/4W,100k	72-RM100K	2	R8-9
R1/4W,15k	72-RM15K	8	R3-4 R11-13 R17-19
R1/4W,1k3	72-RM1K3	1	R7
R1/4W,1k5	72-RM1K5	1	R15
R1/4W,220k	72-RM220K	1	R14
R1/4W,4k7	72-RM4K7	1	R6
R1/4W,560R	72-RM560R	1	R16
R1/4W,56k	72-RM56K	2	R1 R5
R1/4W,6k8	72-RM6K8	2	R2 R10
CAPCA,100n	72-C100N-100VCA	3	C2 C16 C21
CAPCA,10n	72-C10N-100VCA	2	C8 C14
CAPCA,150n	72-C150N-100VCA	3	C9 C25 C29
CAPCA,15n	72-C15N-100VCA	1	C3
CAPCA,1n5	72-C1N5-100VCA	2	C20 C32
CAPCA,220n	72-C220N-50VCA	2	C7 C12
CAPCA,220p	72-C220P-100VCA	1	C18
CAPCA,22n	72-C22N-100VCA	1	C24
CAPCA,330p	72-C330P-100VCA	3	C30 C34 C36
CAPCA,33n	72-C33N-100VCA	2	C11 C19
CAPCA,3n3	72-C3N3-100VCA	1	C6
CAPCA,47n	72-47N-100VCA	2	C5 C27
CAPCA,680p	72-680P-100VCA	1	C4 NEW PART
CAPCA,68n	72-68N-100VCA	1	C15 NEW PART
CAPCA,6n8	72-6N8-100VCA	3	C17 C22 C33
CAPE2,10u	72-C10-35VEA	1	C1
CAPE3,220u	72-C220-35VEA	1	C35
CAPTANT,.47u	72-C0.47-35VT	1	C23
CAPTANT,.68u	72-C0.68-35VT	1	C10
CAPTANT,1u5	72-C1.5-35VT	1	C26
CAPTANT,2u2	72-C2.2-35VT	3	C13 C31 C37
CAPTANT,3u3	72-C3.3-35VT	1	C28
M5289P	72-IC-M5289P	2	IC1-2
BC549	72-TBC549C	7	TR1-7
150mm 10WAY JUMPER LINK	72-LK-10W150TEG	1	PL1 FIT TO BACK OF PCB
LED SPACERS	71-SPA-PCB-3.2MM	3	FOR L1-L3
LED5mm RED	72-LED-RED	1	L3 FIT WITH 3mm

			SPACING FROM PCB
LED5mm GREEN	72-LED-GREEN	1	L1 FIT WITH 3mm SPACING FROM PCB
LED5mm YELLOW	72-LED-YELLOW	1	L2 FIT WITH 3mm SPACING FROM PCB
SLIDER 30MM	73-SLIDER-B100KC	12	RV1-12
3 WAY 100mm LONG JUMPER LINK TO BACK PCB	TO SOCKET 72-SKT-IDC-3W	1	PL2
5 WAY 100mm LONG JUMPER LINK TO BACK PCB	TO SOCKET 72-SKT-IDC-5W	1	PL3
16MM B50K POT VERTICAL MOUNT WITH 21 CLICKS	73-POT-B50K21	1	RV13
16MM B50K DUAL POT VERTICAL MOUNT WITH 21 CLICKS	73-POT-B50K21-DG	1	RV14
SPACERS FOR MOUNTING FRONT PANEL	71-SPA-SRS4-5	4	SELF RETAINING SPACERS CLIP INTO FRONT PANEL

N.B. C4 & C15 are items not currently stocked by TRACE ELLIOT.

C12-PC00103x1. PC00103 ISSUE 2**AH1000 BACK PCB's****CLIVE BUTTON 27/1/99 UP-ISSUED ANDY EWEN 19/7/99****VERSION 1**

Part Name	Part Code	Qty	Reference
DIODE 1N4148	72-D-1N4148	5	D1-5
ZENER 6V2	72-D-BZX55C6V2	1	Z1
R1/4W,100K	72-RM100K	3	R10 R31 R49
R1/4W,10K	72-RM10K	22	R5 R8-9 R13-14 R19-21 R25 R38-40 R46-48 R56 R66 R71 R73-74 R80 R83
R1/4W,15K	72-RM15K	12	R52-54 R58-61 R63 R65 R68-70
R1/4W,1K	72-RM1K	6	R72 R75 R84 R91 R93 R94
R1/4W,1M	72-RM1M	1	R50
R1/4W,220R	72-RM220R	1	R76
R1/4W,22K	72-RM22K	11	R6-7 R11-12 R22 R23 R41 R44 R77 R87 R88
R1/4W,2K2	72-RM2K2	7	R1 R4 R15 R18 R24 R34 R37
R1/4W,39K	72-RM39K	2	R55 R64
R1/4W,470R	72-RM470R	6	R2-3 R16-17 R35-36
R1/4W,47K	72-RM47K	18	R27-30 R32-33 R45 R62 R67 R78-79 R81-82 R85-86 R89 R90 R92
R1/4W,4K7	72-RM4K7	1	R26
R1/4W,6K8	72-RM6K8	4	R42-43 R51 R57
CAPCA,100n	72-C100N-100VCA	7	C16-17 C22 C26-29
CAPCA,100p	72-C100P-100VCA	6	C3 C7 C15 C20 Add 2 of these in parallel with R90 & R89.
CAPCA,22n	72-C22N-100VCA	2	C18-19
CAPCA,33n	72-C33N-100VCA	2	C23-24
CAPCA,33p	72-C33P-100VCA	2	C4 C10
CAPTANT,1u	72-C1-35VT	2	C11-12
TL072	72-IC-TL072	9	IC1-9
J175	72-FET-J-175	12	TR1-12
CAPE2,10u	72-C10-63VER	10	C1-2 C5-6 C8-9 C13-14 C21 C25
CAPE2,1u	72-C1-63VER	1	C30
0.1" 6 WAY HEADER	72-HEAD-6W-2	2	PL5-6

2mm 10 WAY HEADER	72-HEAD-10W-TEG	2	PL2 PL8
PCB SPADE	72-CRIMP-PCB-TAB	2	GND1 GND2
10 WAY 100MM JUMPER	72-LK-10W100TEG	1	PL4
10 WAY 300MM JUMPER	72-LK-10W300TEG	1	PL3
10 WAY 400MM JUMPER	72-LK-10W400TEG	2	PL1 PL7
DIN 8 PIN SOCKET	72-SKT-DIN-8PIN	1	SK11
SLIMJACK	72-SKT-JCKBBB-SM	13	SK2-7 SK10 SK12-17
POTDUAL,B50K	73-POT-50K-DG	3	RV1-3
POTSINGLE,B50K	73-POT-50KB	1	RV4
RELAY G5V-2 24V	73-REL-24V-G5V	1	RL1
PUSH SWITCH F2UEE	73-SWT-F2UEE	4	SW1-4
XLR MALE	73-XLR-PCB-M	3	SK1 SK8-9
PC00103	73-PCB-PC00103	1	3 PART PCB

C12-PC00106x4.

AH1000 250 STEREO/500 MONO OUTPUT PCB

USING PC00106 ISSUE 2

CLIVE BUTTON 15/1/99

VERSION 2 P.S. 13/7/99

VERSION 3 A.E. 27/7/99

VERSION 4 A.E. 1/12/99 (D1& D2)

Part Name	Part Code	Qty	Reference
ZENER,12V	72-D-BZX55C12V	4	Z1-4
ZENER,6V2	72-D-BZX55C6V2	1	Z5
DIODE,1N4148	72-D-1N4148	6	D8-10 D12-14
DIODE1, IN4007	72-D-IN4007	2	D1 D2
DIODE1 IN4002	72-D-1N4002	8	D3-7 D11 D15-16
R1/4W,100k	72-RM100K	1	R39
R1/4W,10k	72-RM10K	2	R40-41
R1W,15k	72-RM15K-1WATT	2	R16 R30
R1/4W,1k	72-RM1K	2	R17 R28
R1/4W,1M	72-RM1M	1	R11
R1/4W,220K	72-RM220K	1	R2
R1/4W,220R	72-RM220R	14	R7 R14-15 R19 R21-23 R26 R27 R32 R33 R35-37
R1/4W,470R	72-RM470R	2	R4 R18
R1/4W,470k	72-RM470K	1	R44
R1/4W,47K	72-RM47K	2	R1 R10
R1/4W,4k7	72-RM4K7	6	R3 R6 R8 R12 R31 R34
R1/4W,68k	72-RM68K	2	R9 R29
R1W,1K5	72-RM1K5-1W	1	R25
R1W,2K2	72-RM2K2-1W	2	R20 R45
R1/4W,22K	72-RM22K	4	R5 R13 R24 R38
R4W,4R7	72-RWW4R7-4W	2	R42-43
CAPCER,10p	72-C10P-500VCD	8	C29 TO C34, 36, 37
CAPCER,47p	72-C47P-100VCD2	6	C6-8 C20 C23-24
CAPP1,100n	72-C100N-100VP	3	C10 C19 C39
CAPP1,10n	72-C10N-100VP	2	C21 C35
CAPP1,1n	72-C1N-100VP	2	C9 C17
J112	72-FET-J-112	1	TR23
J175	72-FET-J-175	2	TR9 TR24
BF422	72-TBF422	4	TR2 TR4 TR11-12
BF423	72-TBF423	6	TR3 TR5 TR7-8 TR10 TR19
ZTX614	72-TZTX614	3	TR1 TR6 TR22
PRESET,220R	72-PRESET-220R	2	RV1-2
2 WAY TERMINAL BLOCK	73-TERM-PCB- 2WAY	2	FAN1 PL2
PCB FUSE CLIP	72-FUS-HLD-PCB-4	6	FS1-3

CAPE2,10uF	72-C10-63VER	5	C3 C15 C26 C38 C41
CAPE2,1uF	72-C1-63VER	2	C4 C16
CAPE2.5, 22uf 100v	72-C22-100VER	2	C18 C22
CAPE2,47uF	72-C47-63VER	2	C5 C27
CAPE3,1000uF	72-C1000-25VER	1	C25
CAPP5,220n	72-C0.22-250VP	4	C11 C28 C40 C42
CAPP6,1uF	72-C1-250VP	1	C14
0.1" 6 WAY HEADER	72-HEAD-6W-2	1	PL1
FUSE 20MM,T10A	72-FUS-10AT	2	FS1 FS3
FUSE 220MM,T1A	72-FUS-1A-T-UK	1	FS2
BRIDGE RECT 25A 400V	72-BRIDGE-A	1	DR1
RLYDPDT1,G5V-2	73-REL-24V-G5V	2	RL1-2
RLYDPDT-G2R,G2R	73-REL-48V-G2R	2	RL3-4
PCB SPADE	72-CRIMP-PCB-TAB	7	LS1-2 AC1-3
TRIP,100C N/C	73-SWT-THERM-2	1	SW2 FIT TO HEATSINK & WIRE TO PCB
TRIP,70C N/O PCB MOUNT	73-SWT-THERM-6	1	SW1
CAPE6,4700uF	72-CAP-4700100V	4	C1-2 C12-13
BUZ901P	72-MOS-BUZ901P	4	TR13-14 TR17-18
BUZ906P	72-MOS-BUZ906P	4	TR15-16 TR20-21
TRANSISTOR CLIPS	71-HS-KR70-CLIP1	8	
TRANSISTOR CLIPS	71-HS-KR70-CLIP2	1	
HEATSINK 80MM TALL 100MM LONG	G13-HS-KR200-100	2	CUT IN HALF I x 200MM LONG HEATSINK
HEATSINK FIXING SCREWS	71-SCR-M3X8PP/TT	6	HEATSINK TO PCB
WASHER	71-WAS-M3-A-ZINC	6	HEATSINK TO PCB
NYLON WASHER	71-WAS-M3NYL	6	HEATSINK TO PCB

C12-PCD00107x2. PC00107 ISSUE 2

AH1000 SPEAKER PCB

CLIVE BUTTON 15/1/99

P.S. 31/8/99

VERSION 2 (GOLD JACKS)

Part Name	Part Code	Qty	Reference
JACK MONO PCB BNB	72-SKT-JCKBNBG	3	SK1-3
SPADE TAG	72-CRIMP-PCB-TAB	10	J1 - J10
XLR FEMALE PCB	73-XLR-PCB-F	2	SK4-5
PC00107x1		1	

C12-PC00110x2. PC00110x1

GP12_98 SOFT START BOARD

CLIVE BUTTON 15/1/99

ANDY EWEN 19/10/99 (AH500-100V)

VERSION 1

Part Name	Part Code	Qty	Reference
THERMISTOR	72-THERMISTER-2	2	SS1 SS2
THERMISTOR	72-THERMISTER-2	2	SS3 SS4 FIT ONLY FOR AH1000 – 100V & 110V UNITS AND RAH/AH500 100V
PCB SPADE TAGS	72-CRIMP-PCB-TAB	2	J1 & J2
PC00110x1		1	

**N.B. THIS BOARD IS USED ON ALL GP12 PRODUCTS EXCEPT THE GP12X
RACK PRE-AMP.**

C12-PC00117x2. PC0117x1 GP12_98 INVERTER PCB
CLIVE BUTTON – 3/3/99

ISSUE 2 INSERTION LIST (R1 CHANGED TO 22K)

Part Name	Part Code	Qty	Reference
R1/4W,47K	72-RM22K	1	R1
			R2 NOT FITTED
CAPE1,10u 63V	72-C10-63VER	1	C1
CAPE1,1u 63V	72-C1-63VER	1	C2
0.1" 2 WAY HEADER	72-HEAD-2W-2	1	PL2
	Screened cable 300mm long hard wired to PCB	1	PL1 Screen to go to bottom pin on overlay to reduce hum
2 X 7/02 WIRES TO 2 WAY IDC SOCKET	72-SKT-IDC-2W	1	PL3 Length = 150mm
3 PIN INVERTER 600Hz 100V	73-INVERTER-12V	1	EL1
ZTX614	72-TZTX614	1	TR1
PCB PC00117x1	73-PC00117	1	

GP12

C12-PC00118x5.

PARTS INSERTION LIST FOR PC00118 ISSUE 2 GP12 EL PANEL AC SUPPLY CURRENT LIMITER PCB

Part Name	Part Code	Qty	Reference
DIODE 1N4148	72-D-IN4148	1	D1
ZENER1,6V2	72-D-BZX55C6V2	1	Z1
R1/4W,100K	72-RM100K	1	R9
R1/4W,10K	72-RM10K	2	R2 R5
R1/4W,680R	72-RM680R	1	R3
R1/4W,220R	72-RM220R	1	R8
R1/4W,470K	72-RM470K	2	R6 R10
R1/4W,47K	72-RM47K	1	R7
R1/4W,4K7	72-RM4K7	1	R1
R2.5W,10K	72-RWW10K-2.5W	1	R4
4013B	72-IC-4013B	1	IC2
CA3059	72-IC-CA3059	1	IC1
TRIAC,Z0103DA	72-TRIAC-Z0103DA	1	SC1
CAPP1,100n 100V	72-C100N-100VP	1	C4
CAPP1,10n 100V	72-C10N-100VP	2	C2 C5
CAPP1,220n 100V	72-C220N-100VP	1	C6
CAPTANT,1u 35V	72-C1-35VT	1	C3
0.1" 2 WAY HEADER	72-HEAD-2W	1	PL1
CONNECTION TO FRONT PANEL FOR GP12	Screened cable 300mm long hard wired to PCB with 72-HEAD-2W on other end.	1	PL2
PCBFUSECLIP	72-FUS-HLD-PCB-4	2	F1
20MM FUSE F100mA	72-FUS-100MA-SW	1	F1
CAPE2,100u 16V	72-C100-16VER	1	C1
	NOT USED		PL3

C12-PC00104x5.

**AH500/V-TYPE 600 POWER STAGE
USING PC00104x1 - C BUTTON – 5/1/99**

VERSION 3 P.S. 13/7/99

VERSION 4 A.E. 14/10/99 Fuse-holders

VERSION 5 A.E. 1/12/99 D1 & D2

Description	Part Code	Qty	Where Used
ZENER1,12V	72-D-BZX55C12V	2	Z1-2
IN4148	72-D-IN4148	3	D9-11
IN4007	72-D-IN4007	2	D1 D2
IN4002	72-D-IN4002	6	D3-8
R1/4W,100k	72-RM100K	1	R3
R1/4W,10k	72-RM10K	2	R2 R24
R1W,15k	72-RM15K-1WATT	1	R15
R1/4W,1k	72-RM1K	1	R17
R1/4W,220R	72-RM220R	9	R13-14 R16 R18-23
R1/4W,470R	72-RM470R	1	R9
R1/4W,470k	72-RM470K	1	R4
R1/4W,47k	72-RM47K	1	R1
R1/4W,4k7	72-RM4K7	3	R6-8
R1/4W,68k	72-RM68K	1	R10
R1W,2K2	72-RM2K2	1	R11
R1W,22K	72-RM22K	2	R5 R12
R4W,4R7	72-RWW4R7-4W	1	R25
CAPCER,10p	72-C10P-500VCD	0	
CAPCER,220p	72-C220P-100VCD	1	C9
CAPCER,47p	72-C47P-100VCD2	3	C11 C19-20
CAPP1,100n	72-C100N-100VP	2	C5 C27
CAPP1,10n	72-C10N-100VP	1	C18
CAPE2,10uF	72-C10-63VER	3	C3-4 C14
CAPE2,1uF	72-C1-63VER	1	C8
CAPE2,47uF	72-C47-63VER	1	C10
CAPE3,22Uf 160v	72-C22-160VER	1	C12
CAPE3,1000uF	72-C1000-25VER	1	C13
CAPE6,4700uF	72-CAP-4700100V	4	C1-2 C16-17
CAPP5,220n	72-C0.22-250VP	3	C6 C15 C28
CAPP6,1uF	72-C1-250VP	1	C7
BF422	72-TBF422	2	TR6-7
BF423	72-TBF423	3	TR3-5
J112	72-FET-J-112	1	TR1
ZTX614	72-TZTX614	1	TR2

PRESET,220R	72-PRESET-220R	1	RV1
2 WAY TERMINAL BLOCK	73-TERM-PCB-2WAY	2	FAN1 PL1
0.1" 6 WAY HEADER	72-HEAD-6W-2	1	PL2
PCBFUSECLIP,	72-FUS-HLD-PCB-4	2	FS2
32MM FUSE T10A	72-FUS-16AT32SP	2	FS1 FS3
PCB FUSE CLIP	72-FUS-HLD-PCB-5	4	FS1 & FS3
20MM FUSE T1A	72-FUS-1A-T-UK	1	FS2
BRIDGE RECT 25A 400V	72-BRIDGE-A	1	DR1
PCB SPADE	72-CRIMP-PCB-TAB	6	LS1 AC1-3 GND1
BUZ901P	72-MOS-BUZ901P	3	TR8-10
BUZ906P	72-MOS-BUZ906P	3	TR11-13
TRANSISTOR CLIP	74-HS-KR70-CLIP1		
HEATSINK 80MM TALL 200MM LONG	71-HS-KR200-2		
HEATSINK FIXINGS	71-SCR-M3X8PP/TT	6	HEATSINK TO PCB
RLYSPDT-G2R, 48V	73-REL-48V-G2R1	1	RL1
TRIP,100C N/C	73-SWT-THERM-2	1	SW1 FIT TO HEATSINK & WIRE TO PCB 7/02 WIRE
TRIP,70C N/O PCB MOUNT	73-SWT-THERM-6	1	SW2