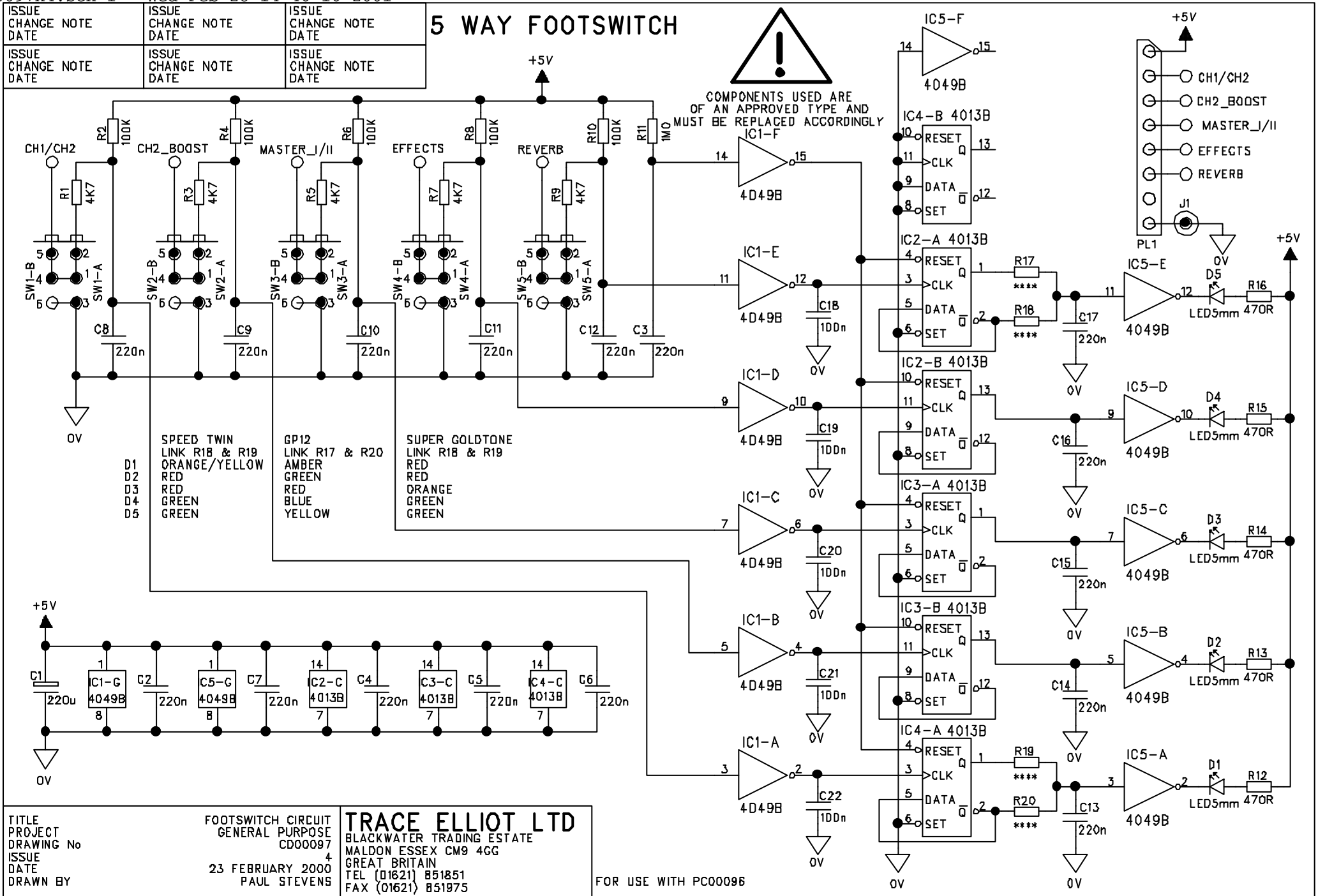


TRACE ELLIOT

SERVICE MANUAL

DATE : December 29, 1999
Product Code: T4070
Model Number : GP12-5 WAT-F/S

Issued by:
Trace Elliot Limited
Blackwater Trading Estate
The Causeway
Maldon
Essex
England
CM4 4GG



ISSUE CHANGE DATE	NOTE	ISSUE CHANGE DATE	NOTE	ISSUE CHANGE DATE	NOTE

TITLE	PROJECT	FOOTSWITCH CIRCUIT	TRACE ELLIOT LTD
DRAWING No	PURPOSE	GENERAL PURPOSE	BLACKWATER TRADING ESTATE
ISSUE	DATE	CDO0097	MALDON ESSEX CM9 4GG
DATE		4	GREAT BRITAIN
DRAWN BY		23 FEBRUARY 2000	TEL (01621) 851851
		PAUL STEVENS	FAX (01621) 851975

FOR USE WITH PC00096

C12-PC00096x1.
PARTS LIST FOR 5 WAY FOOT SWITCH PCB
12-BAND BASS

ISSUE 1 4/2/99 AE

Description	Part Code	Qty	Where Used
PCB	73-PCB-PC00096	1	ISSUE 4
RESISTORS			
470R 1/4W	72-RM470R	5	R12 R13 R14 R15 R16
4K7 1/4W	72-RM4K7	5	R1 R3 R5 R7 R9
100K 1/4W	72-RM100K	5	R2 R4 R6 R8 R10
1M0 1/4W	72-RM1M	1	R11
NOT FITTED		0	R18 R19
0 ohm LINK	72-RCZERO	2	R17 R20
CAPACITORS			
220n 50V axial	72-C220N-50VCA	16	C2 C3 C4 C5 C6 C7 C8 C9 C10 C11 C12 C13 C14 C15 C16 C17
220u 35V elect radial	72-C220-35VER	1	C1
SEMICONDUCTORS			
4049B -Hex Inverter	72-IC-4049B	2	IC1 IC5
4013B -Dual D Type F/F	72-IC-4013B	3	IC2 IC3 IC4
5mm ORANGE LED	72-LED-ORG-5MM	1	D1
5mm GREEN LED	72-LED-GREEN	1	D2
5mm RED LED	72-LED-RED	1	D3
5mm BLUE LED	72-LED-BLU-5MM	1	D4
5mm YELLOW LED	72-LED-YELLOW	1	D5
LED SPACER	71-SPA-SMX-2	5	D1 D2 D3 D4 D5
FOOT SWITCH-MOM	73-SWT-F/S-MOM	5	SW1 SW2 SW3 SW4 SW5 (Check correct insertion)
8 WAY DIN LEAD	72-LEAD-8WDIN-SE	1	SOLDER INTO PL1 AFTER FIRST INSERTING THRU LH END CAP
CABLE TIE FOR LEAD	71-CABLE-TIE-SB	1	USE TO HOLD LEAD ON BOARD TO MAKE SOLDERING EASIER