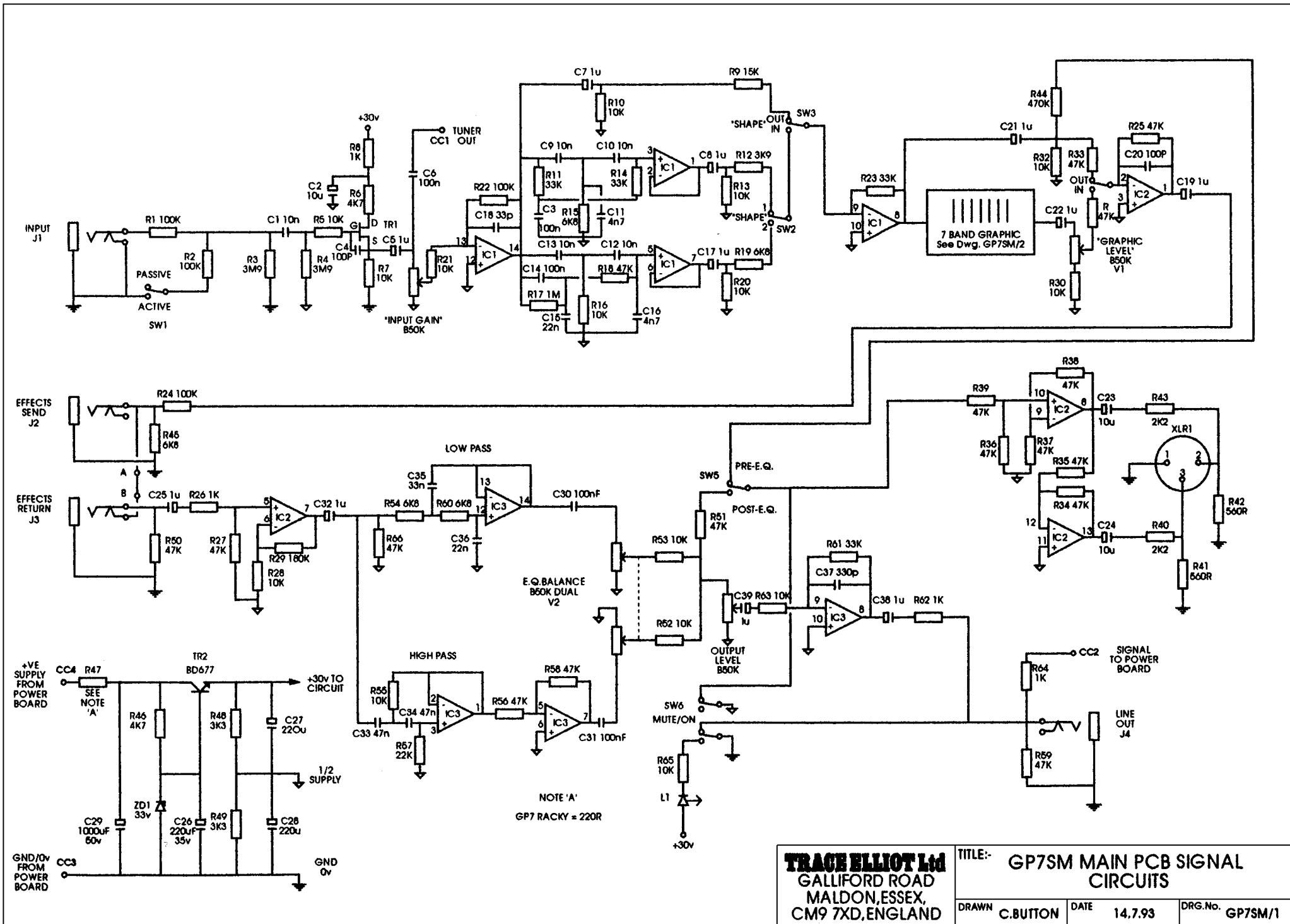


# **TRACE ELLIOT**

## **SERVICE MANUAL**

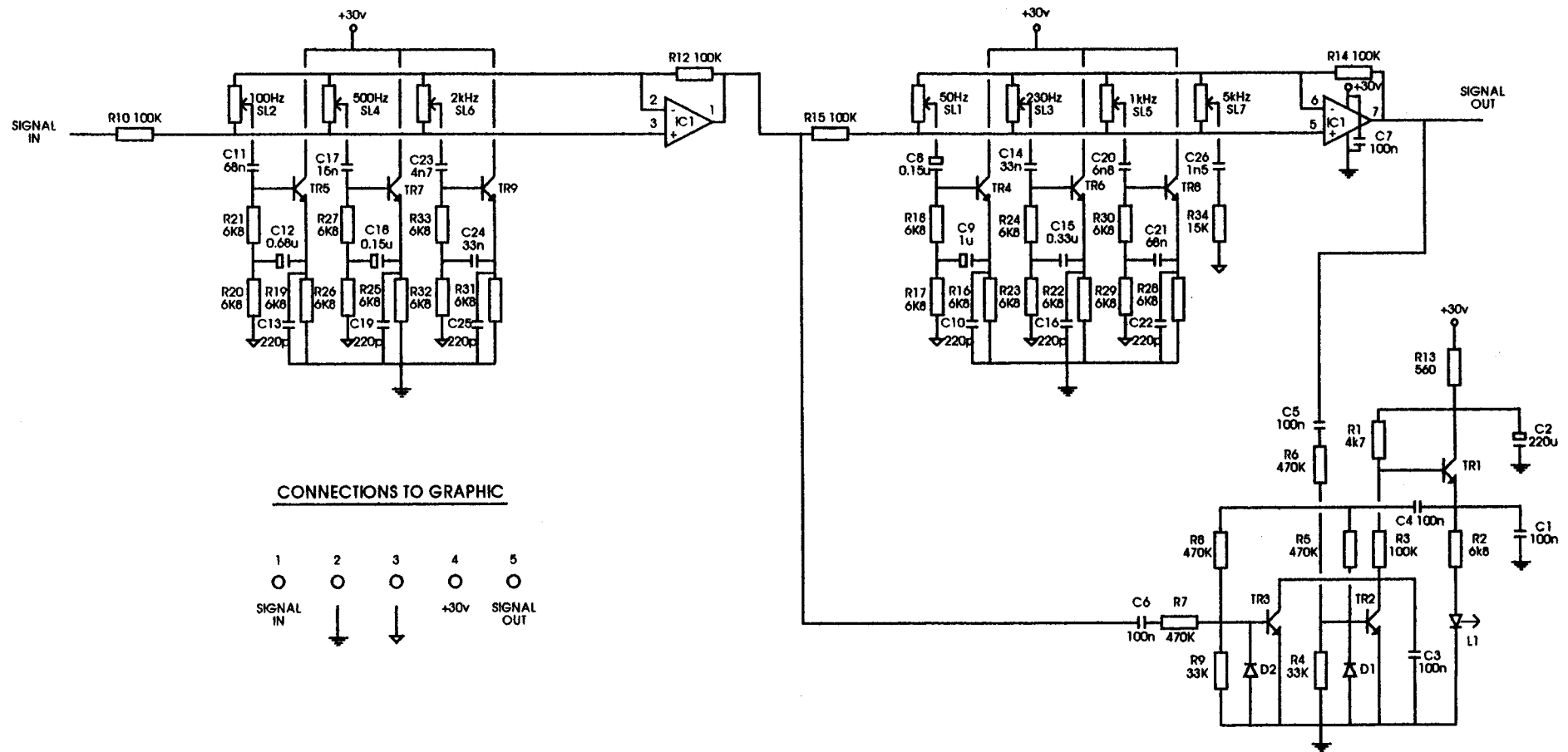
**DATE :** December 29, 1999  
**Product Code:** N/A  
**Model Number :** GP7 200.250 WATT SM SERIES

Issued by:  
**Trace Elliot Limited**  
**Blackwater Trading Estate**  
**The Causeway**  
**Maldon**  
**Essex**  
**England**  
**CM4 4GG**



**TRACHELLIOT Ltd**  
 GALLIFORD ROAD  
 MALDON, ESSEX,  
 CM9 7XD, ENGLAND

TITLE:- GP7SM MAIN PCB SIGNAL CIRCUITS	
DRAWN C.BUTTON	DATE 14.7.93
DRG.No. GP7SM/1	



**TRACE ELLIOT Ltd**  
 GALLIFORD ROAD  
 MALDON, ESSEX,  
 CM9 7XD, ENGLAND

TITLE:- GP7SM GRAPHIC E.Q. &  
 OVERLOAD DISPLAY

DRAWN C.BUTTON

DATE 16.7.93

DRG.No. GP7SM/2

## PARTS LIST FOR GP7 SM MAIN PCB

Description	Part Code	Qty	Where Used
<b>RESISTORS</b>			
ZERO OHM LINK	72-RC-ZERO	17	
100K ¼ WATT	72-RM100K	4	R1 R2 R22 R24
3.9M ¼ WATT	72-RM3M9	2	R3 R4
10K ¼ WATT	72-RM10K	15	R5 R7 R10 R13 R16 R20 R21 R28 R30 R32 R52 R53 R55 R63 R65
4.7K ¼ WATT	72-RM4K7	1	R46
1K ¼ WATT	72-RM1K	4	R8 R26 R62 R64
15K ¼ WATT	72-RM15K	1	R9
33K ¼ WATT	72-RM33K	4	R11 R14 R23 R61
3.9K ¼ WATT	72-RM3K9	2	R12 R6
6.8K ¼ WATT	72-RM6K8	5	R15 R19 R45 R54 R60
1M ¼ WATT	72-RM1M	1	R17
47K ¼ WATT	72-RM47K	17	R18 R25 R27 R31 R33 R35-39 R50 R51 R56 R58 R59 R66 R34
180K ¼ WATT	72-RM180K	1	R29
2.2K ¼ WATT	72-RM2K2	2	R40 R43
560R ¼ WATT	72-RM560R	2	R41 R42
470K ¼ WATT	72-RM470K	1	R44
22K ¼ WATT	72-RM22K	1	R57
3K3 ¼ WATT	72-RM3K3	2	R48 R49
330R 4 WATT	72-RWW330R-4W	1	R47
<b>CAPACITORS</b>			
4.7nF 100V POLY	72-C4N7-100VP	2	C11 C16
10nF 100V POLY	72-C10N-100VP	5	C1 C9 C10 C12 C13
22nF 100V POLY	72-C22N-100VP	2	C15 C36
33nF 100V POLY	72-C33N-100VP	1	C35
47nF 100V POLY	72-C47N-100VP	2	C33 C34
100nF 100V POLY	72-C100N-100VP	5	C3 C6 C14 C30 C31
33pF 100V CER/DISC	72-C33P-100VCD	1	C18
100pF 100V CER/DISC	72-C100P-VCD2	2	C4 C20
330pF 100V CER/DISC	72-C330P-100VCD2	1	C37
1µF 35V TANT	72-C1-35VT	11	C5 C7 C8 C17 C19 C21 C22 C25 C32 C38 C39
10µF 63V RADIAL	72-C10-63VER	3	C2 C23 C24

220 $\mu$ F 25V RADIAL	72-C220-35VER	2	C26 C28
10 $\mu$ F 35V AXIAL	72-C10-35VEA	1	This is to be fitted in place of the link above C15 and C16. Fitted the same way round as the rest of the radials, + at the top.
<b>SEMI-CONDUCTORS</b>			
TL074 OP-AMP	72-IC-TL074	3	IC1,2,3
J112 FET	72-FET-J-112	1	TR1
33V ZENER DIODE	72-D-BZX55C33V	1	ZD1
BD677	72-TBD677	1	TR2
HEATSINK FOR BD677	71-HS-TEG	1	TR2
<b>SOCKETS</b>			
3 WAY HEADER	72-HEAD-3W-2	1	CB
4 WAY HEADER	72-HEAD-4W	1	CC
5 WAY HEADER	72-HEAD-5W	1	CA
JACK SOCKETS	72-SKT-JCKBNBG	4	J1 J2 J3 J4
<b>POTS / SWITCHES</b>			
50K DUAL GANG PCB	73-POT-50K-DG	1	V2
50K PCB MOUNT POT	73-POT-50KB	1	V1
50K POTS FLYING	C00-POT-50KB	2	INPUT / OUTPUT
LATCHING PUSH SWITCH	73-SW-F2UEE	6	SW1-6
<b>OTHERS</b>			
RED LED	72-LED-RED-TEG	1	LED 1

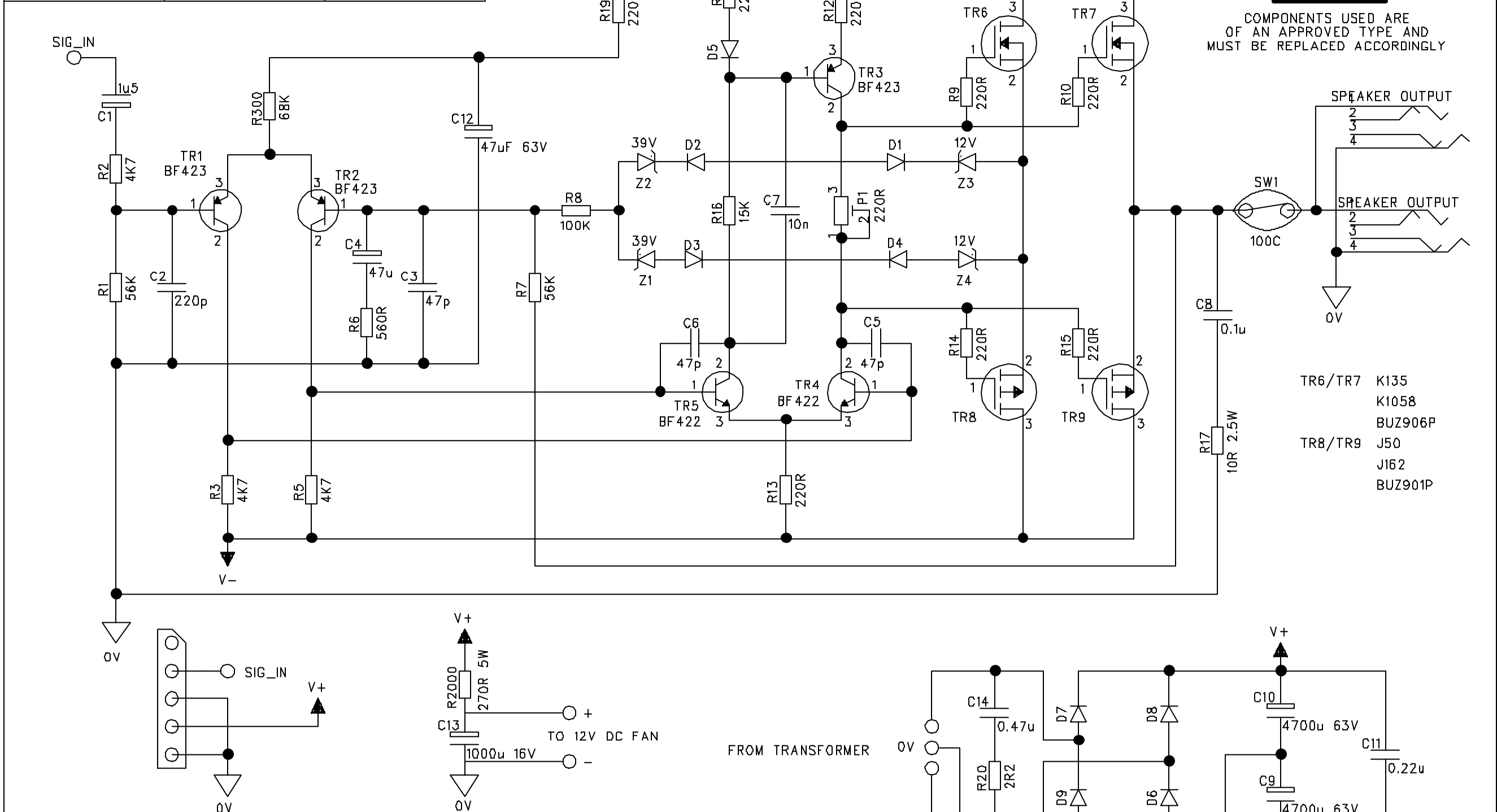
**Rik Daniels**  
**February 24, 1997**

## PARTS LIST FOR GP7SM FRONT BOARD

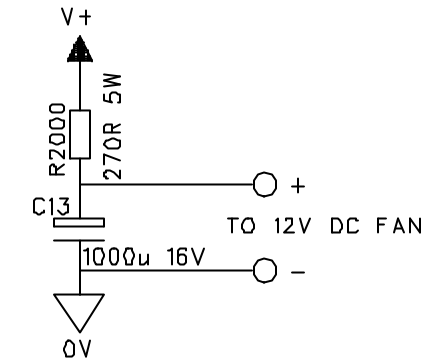
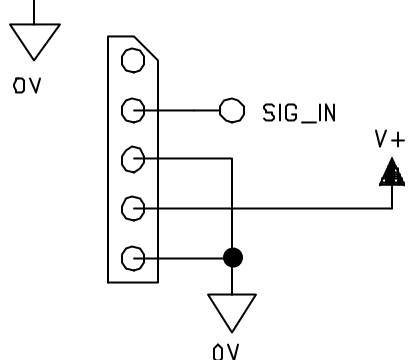
Description	Part Code	Qty	Where Used
<b>RESISTORS</b>			
ZERO OHM LINK	72-RCZERO	3	
100K ¼ WATT	72-RM100K	5	R3 R10 R12 R14 R15
15K ¼ WATT	72-RM15K	1	R34
33K ¼ WATT	72-RM33K	2	R4 R9
470K ¼ WATT	72-RM470K	4	R5 R6 R7 R8
4K7 ¼ WATT	72-RM4K7	1	R1
560R ¼ WATT	72-RM560R	1	R13
6K8 ¼ WATT	72-RM6K8	19	R2 R16-33
<b>CAPACITORS</b>			
0.15µF 35V TANT	72-C0.15-35VT	2	C8 C18
0.33µF 35V TANT	72-C0.33-35VT	1	C15
0.68µF 35V TANT	72-C0.68-35VT	1	C12
1µF 35V TANT	72-C1-35VT	1	C9
100nF 100V POLY	72-C100N-100VP	6	C1 C3-7
15nF 100V POLY	72-C15N-100VP	1	C17
1n5 100V POLY	72-C1N5-100VP	1	C26
220µF 35V RADIAL	72-C220-35VER	1	C2
220pF 100V POLY	72-C220P-100VCD2	6	C10 C13 C16 C19 C22 C25
33nF 100V POLY	72-C33N-100VP	2	C14 C24
4n7 100V POLY	72-C4N7-100VP	1	C23
68nF 100V POLY	72-C68N-100VP	2	C11 C21
6n8 100V POLY	72-C6N8-100VP	1	C20
<b>SEMI-CONDUCTORS</b>			
IN4148 DIODE	72-D-IN4148	2	D1 D2
TL072 OP-AMP	72-IC-TL072	1	IC1
RED LED	72-LED-RED	1	L1
BC212L TRANSISTOR	72-TBC212L	1	TR1
BC549C TRANSISTOR	72-TBC549C	8	TR2-9
<b>OTHERS</b>			
PLASTIC SPACER	71-SPA-LED-TEG2	1	L1
5 WAY JUMPER LINK	72-LK-5W100MM	1	CA
SLIDER POTS	73-SLIDER-B100KC	7	SL1-7

**Rik Daniels**  
**February 24, 1997**

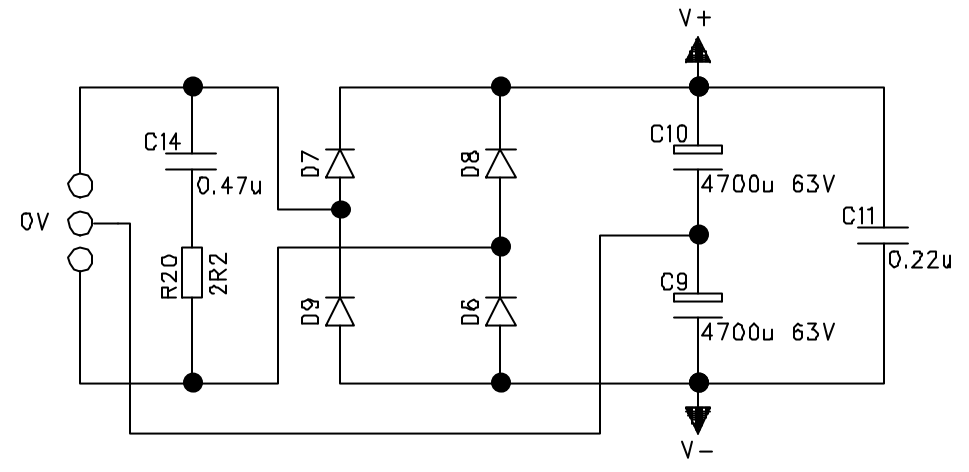
ISSUE CHANGE DATE	NOTE	ISSUE CHANGE DATE	NOTE	ISSUE CHANGE DATE	NOTE



- TR6/TR7 K135
- K1058
- BUZ906P
- TR8/TR9 J50
- J162
- BUZ901P



FROM TRANSFORMER



<p>TITLE PROJECT DRAWING No ISSUE DATE DRAWN BY</p>	<p>PB250/130 SM/SMX POWER BOARD SM/SMX BASS AMPLIFIERS N/A N/A 9 JUNE 1997 PAUL STEVENS</p>	<p><b>TRACE ELLIOT</b> TRACE ELLIOT LIMITED MALDON ESSEX CM9 7GG GREAT BRITAIN TEL (01621) 851851 / 855266 FAX (01621) 851975</p>
---	---	---

# PARTS LIST FOR PB200 POWER MODULES

Description	Part Code	Qty	Where Used
RESISTORS			
100K ¼ WATT	72-RM100K	1	R8
15K ¼ WATT	72-RM15K	1	R16
220R ¼ WATT	72-RM220R	8	R9-15 R19
4K7 ¼ WATT	72-RM4K7	3	R2 R3 R5
560R ¼ WATT	72-RM560R	1	R6
56K ¼ WATT	72-RM56K	2	R1 R7
68K ¼ WATT	72-RM68K	1	R4
10R 2.5 WATT	72-RWW10R-2.5W	1	R17
1K 2W PLUGABLE	72-RWW1K	1	R18
CAPACITORS			
0.22µF 250V POLY BOX	72-C0.22-250VP	1	C11
1.5µF 35V TANT	72-C1.5-35VT	1	C1
100nF 250V POLY BOX	72-C100N-250VP	1	C8
10nF 100V MYLAR	72-C10N-100VE	1	C7
220pF 100V CER DISC	72-C220P-100VCD2	1	C2
47µF 63V RADIAL	72-C47-63VER	2	C4 C12
47pF 100V CER DISC	72-C47P-100VCD	3	C3 C5 C6
4700µF 80V RADIAL	72-CAP-470080V	2	C9 C10
SEMI-CONDUCTORS			
12V ZENER DIODE	72-D-BZX55C12V	2	ZD3 ZD4
39V ZENER DIODE	72-D-BZX55C39V	2	ZD1 ZD2
GI 751 DIODE	72-D-GI751	4	D6-9
IN4148 DIODE	72-D-IN4148	5	D1-5
BUZ900 MOSFET	72-MOS-BUZ900	2	
BUZ905 MOSFET	72-MOS-BUZ905	2	
BF422 TRANSISTOR	72-TBF422	2	TR4 TR5
BF423 TRANSISTOR	72-TBF423	3	TR1-3
OTHERS			
ISOLATION BUSH	72-MOS-BUSH-WHT	8	
ISOLATION PAD	72-MOS-KOOL-PAD	4	
220R PRESET POT	72-PRESET-220R	1	P1
MAIN HEATSINK	71-HS-L200	1	

Rik Daniels  
April 3, 1997