

TRACE ELLIOT

SERVICE MANUAL NO. SM00108

ISSUE 1

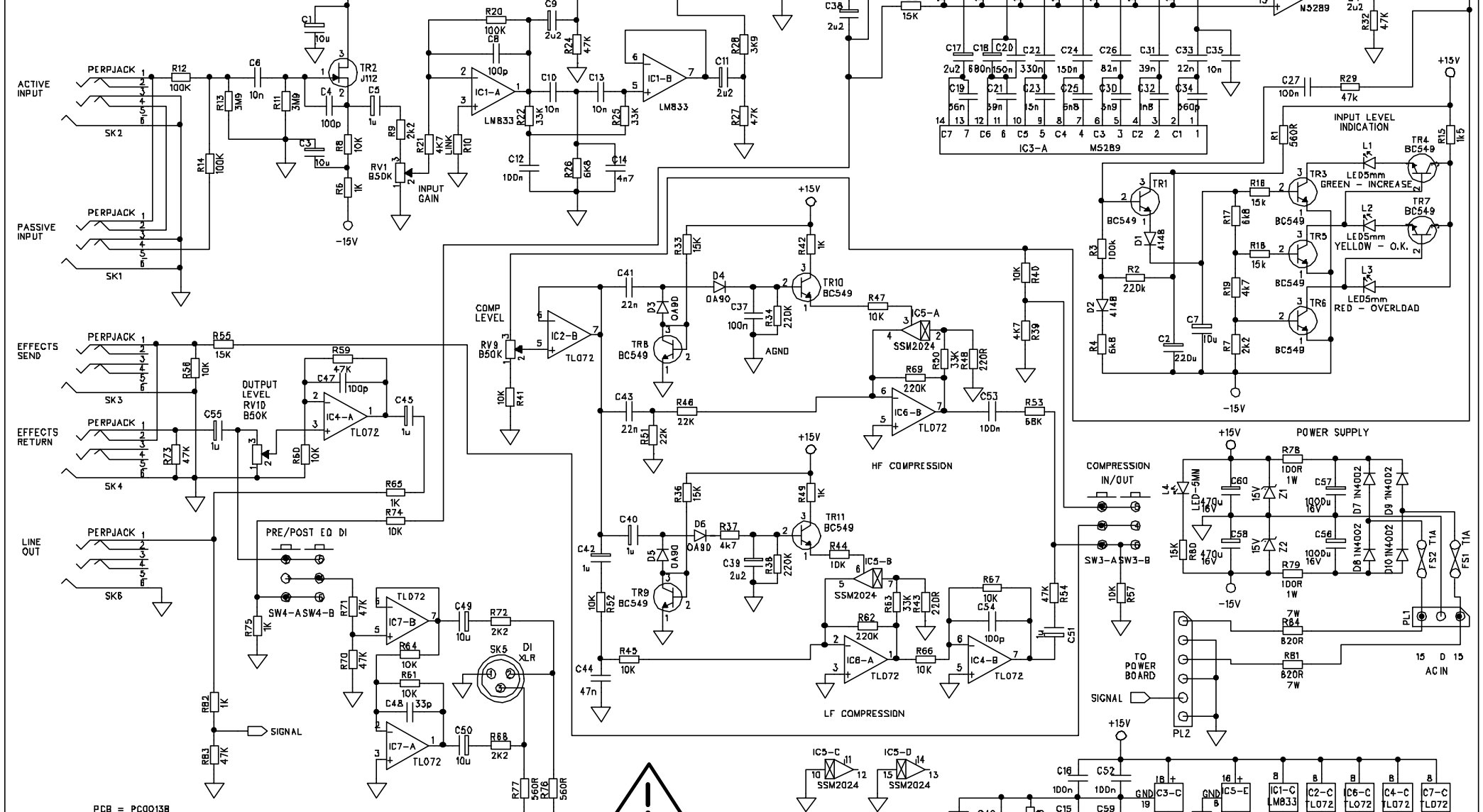
Date: September 5th 2000
Product Code : T0423
Product: GP7 300watt 7-band
Technical File No : TE00108

Issued by:

**Trace Elliot Limited.
Blackwater Trading Estate
The Causeway, Maldon
Essex CM9 4GG.**

ISSUE CHANGE NOTE DATE	ISSUE CHANGE NOTE DATE	ISSUE CHANGE NOTE DATE
ISSUE CHANGE NOTE DATE	ISSUE CHANGE NOTE DATE	ISSUE CHANGE NOTE DATE

ISSUE CHANGE NOTE DATE	ISSUE CHANGE NOTE DATE	ISSUE CHANGE NOTE DATE
ISSUE CHANGE NOTE DATE	ISSUE CHANGE NOTE DATE	ISSUE CHANGE NOTE DATE



PCB = PC0013B

TITLE: GP7 BASS PREAMPLIFIER
 PROJECT: 1999 UPDATE
 DRAWING No: C00007
 ISSUE: 10
 DATE: 18/11/99
 DRAWN BY: CLIVE BUTTON

TRACE ELLIOT
 TRACE ELLIOT LIMITED
 WALDON ESSEX CM9 7XD
 ENGLAND
 TEL (01621) 851851
 FAX (01621) 851932

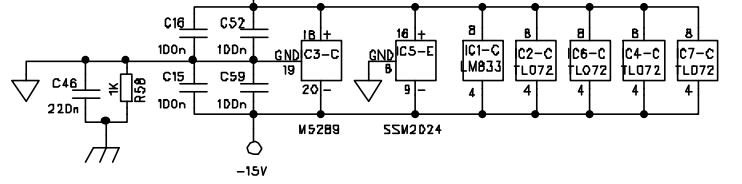
!

COMPONENTS USED ARE OF AN APPROVED TYPE AND MUST BE REPLACED ACCORDINGLY

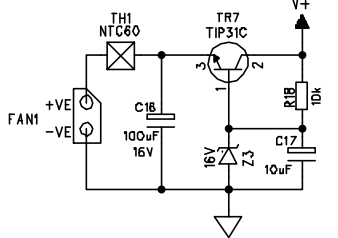
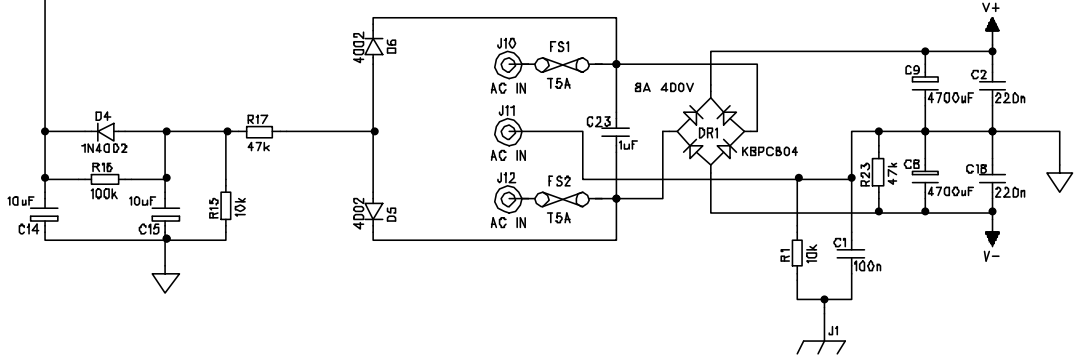
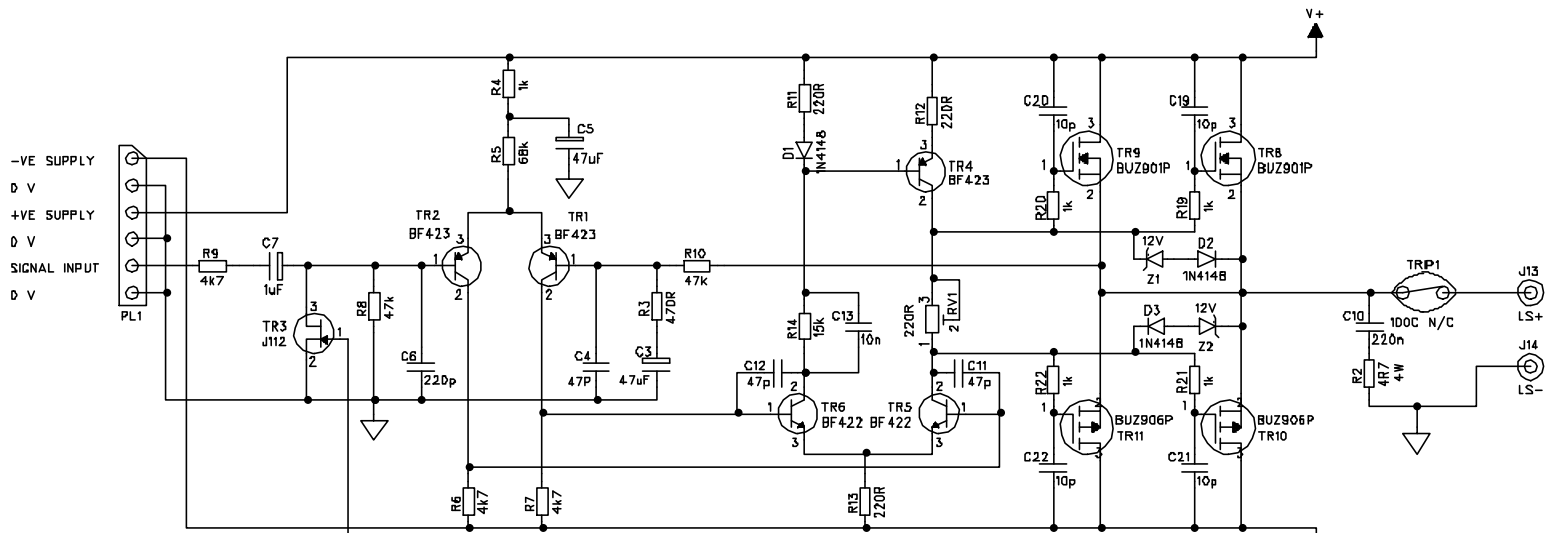
IC5-C 11
 SSM2024


IC5-D 14
 SSM2024

UNUSED GATES



ISSUE CHANGE NOTE DATE	ISSUE CHANGE NOTE DATE	ISSUE CHANGE NOTE DATE
ISSUE CHANGE NOTE DATE	ISSUE CHANGE NOTE DATE	ISSUE CHANGE NOTE DATE




 COMPONENTS USED ARE
 OF AN APPROVED TYPE AND
 MUST BE REPLACED ACCORDINGLY

PCB - PC0082

TITLE	300 WATT MOSFET OUTPUT	TRACE ELLIOT TRACE ELLIOT LIMITED WALDON ESSEX CM9 7GG ENGLAND TEL (01621) 855266 FAX (01621) 851975
PROJECT	BIPOLAR BEAR REPLACEMENT	
DRAWING No	CD0086	
ISSUE	4	
DATE	6/5/99	
DRAWN BY	CLIVE BUTTON	

C12-PC00138x3.

PARTS INSERTION LIST FOR PC0070x7 – GP7 PRE-AMP FOR 7-BAND NOT SMC.

Clive Button – 22/11/99

Version 3

Part Name	Part Code	Qty	Reference
DIODE 1N4002	72-D-IN4002	4	D7-10
DIODE 1N4148	72-D-IN4148	2	D1-2
DIODE OA90	72-D-OA90-05	4	D3-6
ZENER 15V	72-D-BZX85C15	2	Z1-2
R1/4W,100K	72-RM100K	4	R3 R12 R14 R20
R1/4W,10K	72-RM10K	15	R8 R40-41 R44-45 R47 R52 R56-57 R60-61 R64 R66-67 R74
R1/4W,15K	72-RM15K	9	R16 R18 R23 R30-31 R33 R36 R55 R80
R1/4W,1K	72-RM1K	8	R5-6 R42 R49 R58 R65 R75 R82
R1/4W,1k5	72-RM1K5	1	R15
R1/4W,220K	72-RM220K	5	R2 R34 R38 R62 R69
R1/4W,220R	72-RM220R	2	R43 R48
R1/4W,22K	72-RM22K	2	R46 R51
R1/4W,2K2	72-RM2K2	4	R7 R9 R68 R72
R1/4W,33K	72-RM33K	5	R22 R25 R35 R50 R63
R1/4W,3K9	72-RM3K9	1	R28
R1/4W,3M9	72-RM3M9	2	R11 R13
R1/4W,47K	72-RM47K	10	R24 R27 R29 R32 R54 R59 R70-71 R73 R83
R1/4W,4K7	72-RM4K7	4	R19 R21 R37 R39
R1/4W,560R	72-RM560R	3	R1 R76-77
R1/4W,68K	72-RM68K	1	R53
R1/4W,6K8	72-RM6K8	3	R4 R17 R26
R1W,100R	72-RM100R-1WATT	2	R78-79
R7W,470R	72-RWW470R-7W	2	R81 R84 ONLY FOR 150 WATT UNIT
ZERO OHM LINK	72-RCZERO	31	POSITIONS SHOWN + R10
CAPCA,33p	72-C33P-100VCA	1	C48
CAPCA,100p	72-C100P-100VCA	4	C4 C8 C47 C54
CAPCA,220p	72-C220P-100VCA	1	C28
CAPCA,330p	72-C330P-100VCA	1	C36
CAPCA,100n	72-C100N-100VCA	8	C12 C15-16 C27 C37 C52- 53 C59
CAPCA,10n	72-C10N-100VCA	4	C6 C10 C13 C35
CAPCA,150n	72-C150N-100VCA	2	C20 C24

CAPCA,15n	72-C15N-100VCA	1	C23
CAPCA,1n8	72-C1N8-100VCA	1	C32
CAPCA,220n	72-C220N-50VCA	1	C46
CAPCA,22n	72-C22N-100VCA	3	C33 C41 C43
CAPCA,330n	72-C330N-50VCA	1	C22
CAPCA,39n	72-C39N-100VCA	2	C21 C31
CAPCA,3n9	72-C3N9-100VCA	1	C30
CAPCA,47n	72-C47N-100VCA	1	C44
CAPCA,4n7	72-C4N7-100VCA	1	C14
CAPCA,560p	72-C560P-100VCA	1	C34
CAPCA,56n	72-C56N-100VCA	1	C19
CAPCA,6n8	72-C6N8-100VCA	1	C25
CAPCA,82n	72-C82N-100VCA	1	C26
CAPTANT,1u	72-C1-35VT	6	C5 C40 C42 C45 C51 C55
CAPTANT,2u2	72-C2.2-35VT	6	C9 C11 C17 C29 C38-39
CAPTANT,680n	72-C0.68-35VT	1	C18
CAPE1,10u	72-C10-63VER	5	C1 C3 C7 C49-50
PCBFUSE,T1A	72-FUS-1A-PCB	2	FS1-2
BC549	72-TBC549C	10	TR1 TR3-11
J112	72-FET-J-112	1	TR2
M5289	72-IC-M5289P	1	IC3
SSM2024	72-IC-SSM2024	1	IC5
TL072	72-IC-TL072	4	IC2 IC4 IC6-7
LM833	72-IC-LM833	1	IC1
CON03	72-HEAD-3W-2	1	PL1
CON06	72-HEAD-6W-2	1	PL2
CAPE3,220u	72-C220-35VER	1	C2
CAPE3,470u	72-C470-16VER	2	C58 C60
CAPE3,1000u	72-C1000-25VER	2	C56-57
PCB FIXING	73-TERM-SCREW-M3	1	
PERPJACK	72-SKT-JCK-PERP-2	5	SK1-4 SK6 NEW TW JACK
LED5MM RED	72-LED-RED	2	L3 LED2
LED5MM GREEN	72-LED-GREEN	1	L1
LED5MM AMBER	72-LED-YELLOW	1	L2
SPACER FOR LED 20MM	71-SPA-20MM	4	
POTSINGLEVERT B50K	73-POT-B50K-41	3	RV1 RV9-10
SLIDER30MM,B100K	73-SLIDER-30MM-2	7	RV2-8
SWPUSHDPDT	73-SWT-PUSH	4	SW1-4
XLR VERT MALE	73-XLR-PCB-V-M	1	SK5

N.B. A modification is required on these boards:- Cut the track leading to the lower end of R29 and reconnect the bottom end of R29 with a wire link to the centre contact of the switch below it. We have 500 PCBs in stock unfortunately, then we will go to PC00138 issue2.

C11-MOD-K300Bx4.

**PARTS LIST FOR 300 WATT MOSFET BASS POWER STAGE
PC00082x3-C BUTTON-21/7/97 UP-ISSUED-8/1/98 A EWEN.
UP-ISSUE 5/2/98 R18 TO 1WATT. ISSUE 4 REFERENCE TO CD0086X4**

Description	Part Code	Qty	Where Used
ZENER1,12V	72-D-BZX55C12V	2	Z1-2
ZENER1,16V	72-D-BZX55C16V	1	Z3
DIODE1,1N4002	72-D-1N4002	3	D4-6
DIODE1,1N4148	72-D-1N4148	3	D1-3
R-1watt 10K	72-RM10K-1WATT	1	R18
R1/4W,100k	72-RM100K	1	R16
R1/4W,10k	72-RM10K	3	R1 R15
R1/4W,15k	72-RM15K	1	R14
R1/4W,1k	72-RM1K	5	R4 R19-22
R1/4W,220R	72-RM220R	3	R11-13
R1/4W,470R	72-RM470R	1	R3
R1/4W,47k	72-RM47K	3	R8 R10 R17
R1/4W,4k7	72-RM4K7	3	R6-7 R9
R1/4W,68k	72-RM68K	1	R5
R4W,4R7	72-RWW4R7-4W	1	R2
	There is no R23 on the PCB		R23
PRESET,220R	72-PRESET-220R	1	RV1
ZERO OHM LINK	72-RCZERO	19	
CAPCER,10p	72-C10P-500VCD	4	C19-22
CAPCER,47p	72-C47P-100VCD2	3	C4 C11-12
CAPCER,220p	72-C220P-100VCD	1	C6
CAPP1,10n	72-C10N-100VP	1	C13
CAPP1,100n	72-C100N-100VP	1	C1
BF422	72-TBF422	2	TR5-6
BF423	72-TBF423	3	TR1-2 TR4
J112	72-FET-J-112	1	TR3
CAPE2,1uF	72-C1-63VER	1	C7
CAPE2,10uF	72-C10-63VER	3	C15 C17 C14
CAPE2,47uF	72-C47-63VER	2	C3 C5
CAPE2,100uF	72-C100-16VER	1	C16
CAPP5,220n	72-C220N-250VP	3	C2 C10 C18
CAPP6,1uF	72-C1-250VP	1	C23
PCB TERMINAL 2 WAY	73-TERM-PCB-2WAY	1	FAN1
HEADER 2 WAY 0.2"	72-HEAD-2W-2	1	LS1

HEADER 3 WAY 0.2"	72-HEAD-3W-3	1	PL2
HEADER 6 WAY 0.1"	72-HEAD-6W-2	1	PL1
PCBFUSECLIP, 20MM FUSE T5A	72-FUS-HLD-PCB-4 72-FUS-5AT	4 1	FS1-2 FS1-2
CAPE6,4700uF 80V	72-CAP-470080V	2	C8-9
SB104	72-BRIDGE-4	1	DR1
BUZ901P	72-MOS-BUZ901P	2	TR8-9
BUZ906P	72-MOS-BUZ906P	2	TR10-11
TRANSISTOR CLIP	71-HS-KR70-CLIP1	4	fit to output devices
THERMISTOR	72-THERMISTER-4 Mount against heatsink with plenty of thermal compound between the thermistor and the heatsink.	1	TH1
TIP31C	72-TIP31C (or 72-TSM2178)	1	TR7
SMALL HEATSINK	71-HS-CLO5-45	1	FIT TO TR7 WITH THERMAL COMPOUND
BRIDGE HEATSINK	71-HS-TEG	1	FOR BRIDGE RECT
LARGE HEATSINK	71-HS-KR180	1	FOR OUTPUT DEVICES
TRIP,100C N/C	73-SWT-THERM-2	1	FIT TO HEATSINK WIRE TO TRIP1
FIXINGS	71-SCR-M3X8PP/TT	7	FOR HEATSINK & TRIP

GP7

C12-PC00118-7x2.

**PARTS INSERTION LIST FOR PC00118 ISSUE 2
GP7 EL PANEL AC SUPPLY CURRENT LIMITER PCB
CLIVE BUTTON – 18/11/99 –
ANDY EWEN-28/01/00 Fuse code amended.**

Part Name	Part Code	Qty	Reference
DIODE 1N4148	72-D-IN4148	1	D1
ZENER1,6V2	72-D-BZX55C6V2	1	Z1
R1/4W,100K	72-RM100K	1	R9
R1/4W,10K	72-RM10K	2	R2 R5
R1/4W,680R	72-RM680R	1	R3
R1/4W,150R	72-RM150R	1	R8
R1/4W,470K	72-RM470K	2	R6 R10
R1/4W,47K	72-RM47K	1	R7
R1/4W,4K7	72-RM4K7	1	R1
R2.5W,10K	72-RWW10K-2.5W	1	R4
4013B	72-IC-4013B	1	IC2
CA3059	72-IC-CA3059	1	IC1
TRIAC,Z0103DA	72-TRIAC-Z0103DA	1	SC1
CAPP1,100n 100V	72-C100N-100VP	1	C4
CAPP1,10n 100V	72-C10N-100VP	2	C2 C5
CAPP1,220n 100V	72-C220N-100VP	1	C6
CAPTANT,1u 35V	72-C1-35VT	1	C3
0.1" 2 WAY HEADER	72-HEAD-2W	1	PL1
CONNECTION TO FRONT PANEL FOR GP7	72-HEAD-2W	1	PL3
0.1" 2 WAY HEADER			
PCBFUSECLIP	72-FUS-HLD-PCB-4	2	F1
20MM FUSE F100mA	72-FUS-100MA-20	1	F1
CAPE2,100u 16V	72-C100-16VER	1	C1
	NOT USED		PL2