

TRACE ELLIOT

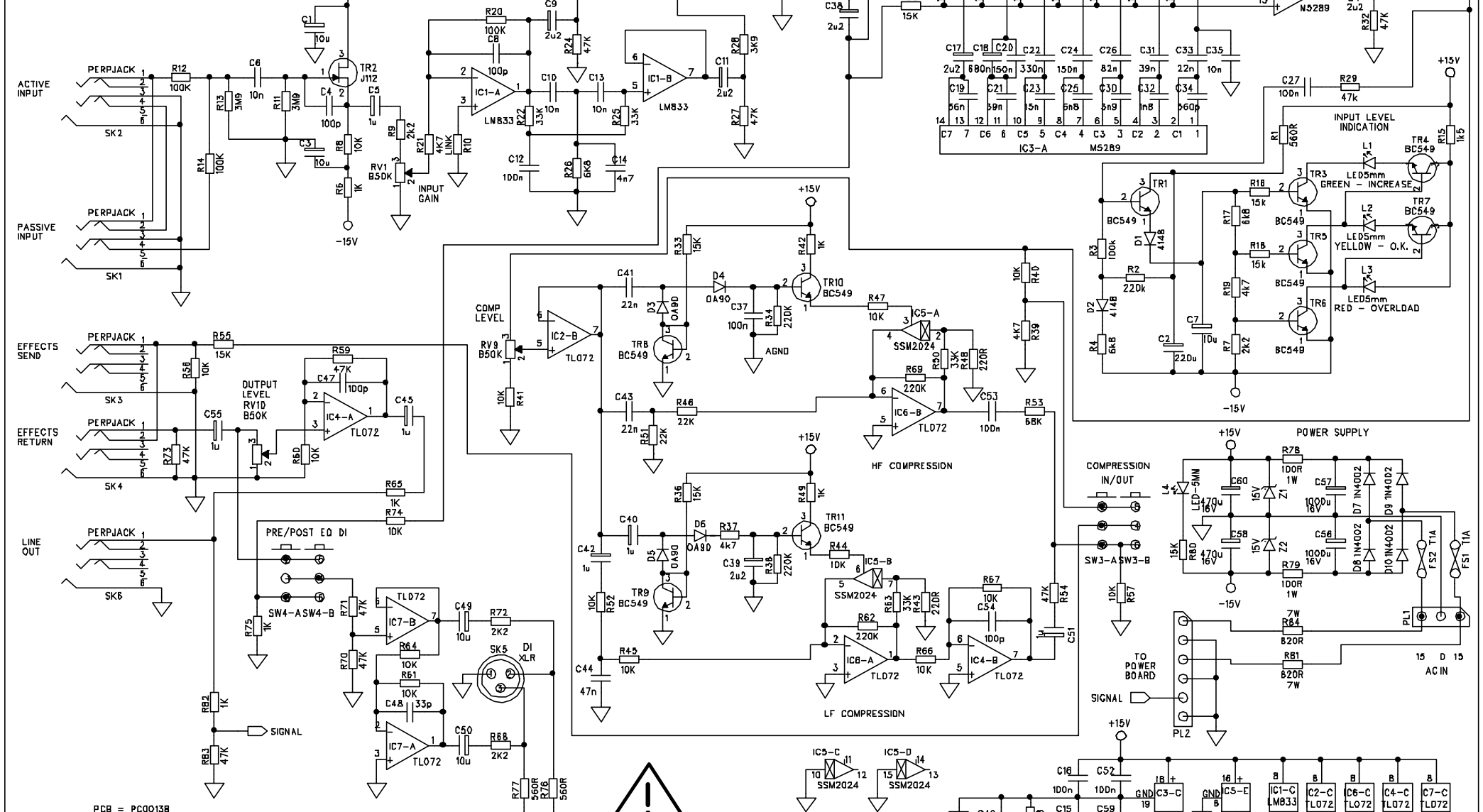
SERVICE MANUAL

DATE : December 29, 1999
Product Code: T0432/T0477/T0506
Model Number : GP7 150 WATT SMC SERIES

Issued by:
Trace Elliot Limited
Blackwater Trading Estate
The Causeway
Maldon
Essex
England
CM4 4GG

ISSUE CHANGE NOTE DATE	ISSUE CHANGE NOTE DATE	ISSUE CHANGE NOTE DATE
ISSUE CHANGE NOTE DATE	ISSUE CHANGE NOTE DATE	ISSUE CHANGE NOTE DATE

ISSUE CHANGE NOTE DATE	ISSUE CHANGE NOTE DATE	ISSUE CHANGE NOTE DATE
ISSUE CHANGE NOTE DATE	ISSUE CHANGE NOTE DATE	ISSUE CHANGE NOTE DATE



PCB = PC0013B

TITLE: GP7 BASS PREAMPLIFIER
 PROJECT: 1999 UPDATE
 DRAWING No: CD00067
 ISSUE: 10
 DATE: 18/11/99
 DRAWN BY: CLIVE BUTTON

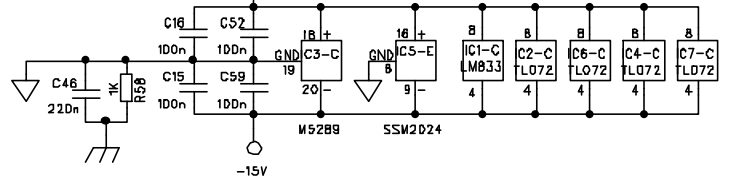
TRACE ELLIOT
 TRACE ELLIOT LIMITED
 WALDON ESSEX CM9 7XD
 ENGLAND
 TEL (01621) 851851
 FAX (01621) 851932

!

COMPONENTS USED ARE OF AN APPROVED TYPE AND MUST BE REPLACED ACCORDINGLY

IC5-C 11 SSM2024
 IC5-D 14 SSM2024

UNUSED GATES



GRAPHIC IN/OUT

INPUT LEVEL INDICATION

POWER SUPPLY

HF COMPRESSION

LF COMPRESSION

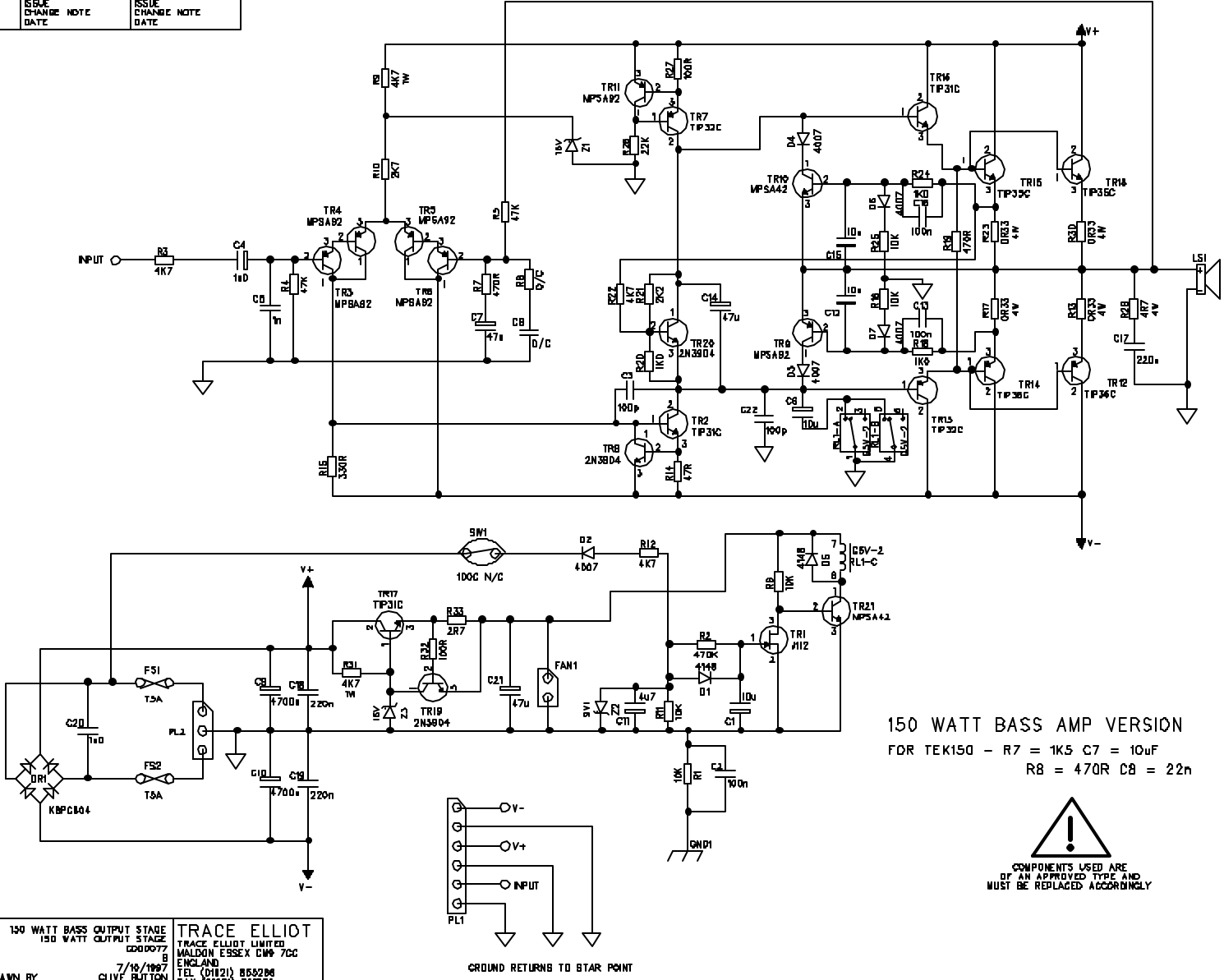
COMPRESSION IN/OUT

TO POWER BOARD

SIGNAL

+15V
-15V

ISSUE CHANGE NOTE DATE	ISSUE CHANGE NOTE DATE	ISSUE CHANGE NOTE DATE
ISSUE CHANGE NOTE DATE	ISSUE CHANGE NOTE DATE	ISSUE CHANGE NOTE DATE



TITLE	150 WATT BASS OUTPUT STAGE	TRACE ELLIOT
PROJECT	150 WATT OUTPUT STAGE	TRACE ELLIOT LIMITED
DRAWING No	GD00077B	MALDON ESSEX CM9 7DC
ISSUE		ENGLAND
DATE	7/10/1997	TEL (0121) 853206
DESIGNED AND DRAWN BY	CLIVE BUTTON	FAX (02121) 851873

GP7SMC - INSERTION PARTS LIST - PC00070x2

CLIVE BUTTON - 19/3/97. up-issued by Andy Ewen 19/1/98 (C7 changed)

C11-PC00070

Description	Part Code	Qt	Where Used
DIODE1,1N4002	72-D-IN4002	4	D5-8
DIODE1,OA90 05	72-D-OA90-05	4	D1-4
ZENER1,15V	72-D-BZX85C15	2	Z1-2
R1/4W,100K	72-RM100K	3	R11-13
R1/4W,10K	72-RM10K	17	R3 R8 R17 R21
			R28 R33 R37 R39
			R42-43 R45 R56 R58
			R62-63 R65 R73
R1/4W,15K	72-RM15K	7	R16 R24-25 R29 R32
			R38 R72
R1/4W,1K	72-RM1K	8	R6-7 R31 R35 R40
			R59 R66 R70
R1/4W,1k8	72-RM1K8	1	R2
R1/4W,220R	72-RM220R	2	R41 R46
R1/4W,220K	72-RM220K	4	R30 R34 R47 R52
R1/4W,22K	72-RM22K	2	R36 R44
R1/4W,2K2	72-RM2K2	3	R5 R55 R67
R1/4W,33K	72-RM33K	5	R15 R19 R23 R48,49
R1/4W,3K9	72-RM3K9	1	R22
R1/4W,3M9	72-RM3M9	2	R9-10
R1/4W,470k	72-RM470K	1	R4
R1/4W,47K	72-RM47K	8	R18 R26 R57 R61 R71 R51 R53-54
R1/4W.4K7	72-RM4K7	2	R14 R27
R1/4W,560R	72-RM560R	2	R68-69
R1/4W,6K8	72-RM6K8	2	R20 R1
R1/4W.68K	72-RM68K	1	R50
R1W,100R	72-RM100R-1WATT	2	R60 R64
ZERO OHM LINK	72-RCZERO	28	
R7W, 820R	72-RWW820R-7W	2	R74 R75 only for 130 or 150-watt units.
CAPCA,100n	72-C100N-100VCA	9	C9-10 C13 C29 C35
			C43 C51-52
CAPCA,100p	72-C100P-100VCA	2	C7,C3 & C58
CAPCA, 220P	72-C220P-100VCA	1	C57
CAPCA,220N	72-C220N-50VCA	1	C42
CAPCA,10n	72-C10N-100VCA	4	C5 C11 C14 C56
CAPCA,150n	72-C150N-100VCA	2	C19 C23
CAPCA,15n	72-C15N-100VCA	1	C22
CAPCA,1n8	72-C1N8-100VCA	1	C31
CAPCA,22n	72-C22N-100VCA	3	C32 C37 C40
CAPCA,330n	72-C330N-50VCA	1	C21
CAPCA,330p	72-C330P-100VCA	1	C34

CAPCA,33p	72-C33P-100VCA	2	C55
CAPCA,39n	72-C39N-100VCA	2	C20 C27
CAPCA,3n9	72-C3N9-100VCA	1	C26
CAPCA,47n	72-C47N-100VCA	1	C39
CAPCA,4n7	72-C4N7-100VCA	1	C15
CAPCA,560p	72-C560P-100VCA	1	C33
CAPCA,56n	72-C56N-100VCA	1	C17
CAPCA,6n8	72-C6N8-100VCA	1	C24
CAPCA,82n	72-C82N-100VCA	1	C25
CAPTANT,1u	72-C1-35VT	8	C4 C8 C12 C38 C41
			C44-45 C47
CAPTANT,2u2	72-C2.2-35VT	4	C16 C28 C30 C36
CAPTANT,680n	72-C0.68-35VT	1	C18
CAPE1,1u	72-C1-63VER	1	C6
CAPE1,10u	72-C10-63VER	4	C1-2 C49-50
PCB FUSE	72-FUS-1A-PCB	2	FS1 FS2
BC549	72-TBC549C	6	TR1 TR3-7
J112	72-FET-J-112	1	TR2
M5289	72-IC-M5289P	1	IC3
SSM2024,	72-IC-SSM2024	1	IC5
TL072	72-IC-TL072	5	IC1-2 IC4 IC6-7
CON03	72-HEAD-3W-2	1	PL1
CON06	72-HEAD-6W-2	1	PL2
CAPE3,470u	72-C470-16VER	2	C48 C53
CAPE3,1000u	72-C1000-25VER	2	C46 C54
PCB FIXING	73-TERM-SCREW-M3	1	
JACKPERP,	72-SKT-JCK-PERP	5	SK1-4 SK6
LED,LED-5MM	72-LED-RED	2	LED1-2
SPACER FOR LED 20MM	71-SPA-20MM	2	
POTSINGLEVERT B50K	73-POT-B50K-VERT	3	RV1 RV9-10
SLIDER30MM, B100K	73-SLIDER-30MM-2	7	RV2-8
SWPUSHD PDT,	73-SWT-PUSH	4	SW1-4
XLR, VERT MALE	73-XLR-PCB-V-M	1	SK5

ISSUE 2 PARTS LIST FOR PC00077x1 CB 22/11/1997

Qty	Part Code	Value	Reference							
Axial Capacitors										
10	72-C100N-100VCA	100n	C5 C39	C10 C40	C11 C41	C13	C16	C22	C25	
5	72-C10N-100VCA	10n	C30	C32	C35	C42	C48			
2	72-C1N-100VCA	1n0	C27	C15						
2	72-C330N-50VCA	330n	C43	C34						
1	72-C330P-100VCA	330p	C9							
9	72-C33P-100VCA	33p	C6 C38	C19 C44	C20	C7	C29	C33	C36	
3	72-C4N7-100VCA	4n7	C14	C28	C45					
2	72-C560P-100VCA	560p	C12	C26						
Axial Diodes										
1	72-D-BZX85C4V7	4V7	Z1							
Axial Resistors										
25	72-RM100K	100K	R1 R12 R32 R57	R2 R19 R33 R58	R3 R25 R34 R59	R4 R40 R46 R63	R9 R27 R42	R10 R28 R46	R11 R29 R55	
8	72-RM10K	10K	R7 R60	R15	R44	R45	R48	R51	R52	
1	72-RM120K	120K	R54							
4	72-RM15K	15K	R16	R6	R8	R14				
2	72-RM1K	1K0	R23	R49						
3	72-RM1M	1M0	R21	R24	R47					
2	72-RM220R	220R	R62	R64						
4	72-RM2K2	2K2	R30	R31	R37	R38				
2	72-RM22K	22K	R5	R13						
2	72-RM-220K	220K	R17	R41						
1	72-RM2K7	2K7	R20							
2	72-RM330K	330K	R18	R43						
1	72-RM47R	47R	R61							
1	72-RM470K	470K	R53							
4	72-RM47K	47K	R35	R36	R39	R56				
2	72-RM82K	82K	R22	R50						
Non Axial Components										
6	72-C100-16VER	100u	C1	C2	C3	C4	C23	C24		
1	72-C1-35VT	1u0	C31							
1	72-C10-63VER	10u	C50							
2	72-C4.7-35VT	4u7	C8	C21						
2	72-C470N-63VP	470n	C17	C18						
4	72-C47-63VER	47u	C37	C46	C47	C49				
2	72-FET-J-175	J175	TR1	TR2						
1	72-HEAD-15W		PL1							
1	72-HEAD-8W-2		PL2							
7	72-IC-RC4558P	RC4558P	IC3	IC4	IC5	IC6	IC8	IC9	IC10	
1	72-IC-74LS629N	74LS629	IC1							
1	72-SOCKET-24W		IC2							
1	72-IC-M50198P	M50198P	IC2 (FIT INTO 24 PIN DIL SOCKET)							

1	72-IC-TL074	TL074	IC7
3	72-LED-RED-3MM		LED1 LED2 LED3 (FIT OVER EDGE OF PCB)
Second Stage Components			
1	SEE DRAWING	REVERB	SP1 (1.5m LEADS, SOLDERED INTO PCB)
3	72-SKT-JCKBNBS		SK1 SK2 SK3
3	73-POT-50K-DG	B50K	RV1 RV4 RV5
2	73-POT-50KB	B50K	RV2 RV3
1	73-SWT-F2UEE	DPCO	SW1 (FIT UNDERNEATH PCB)
1	73-PCB-PC00077x1		