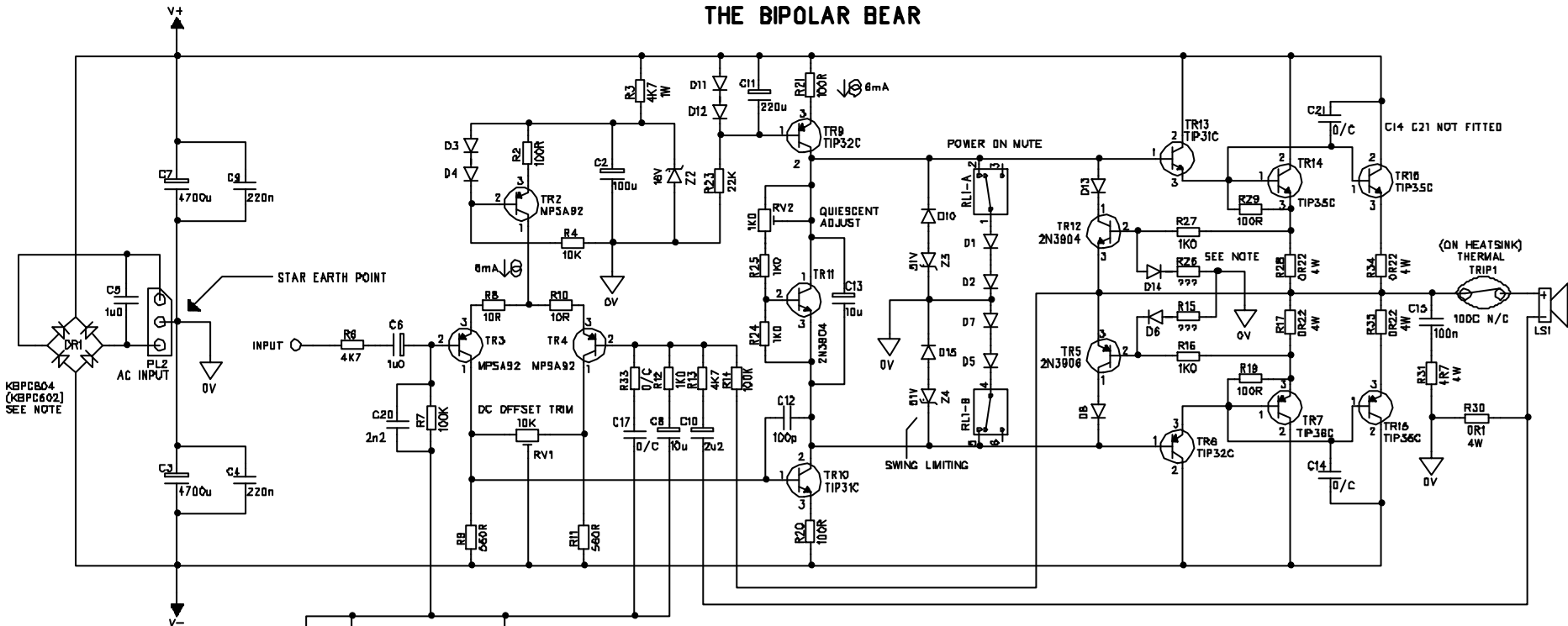
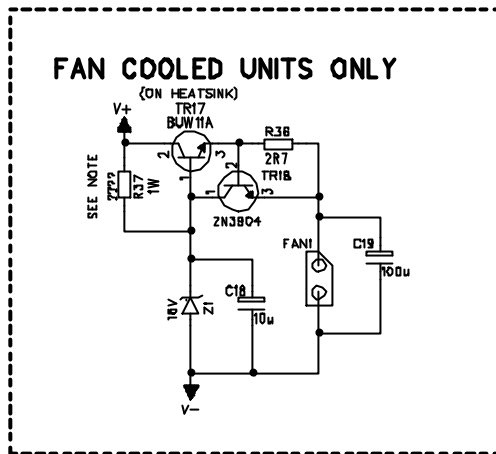
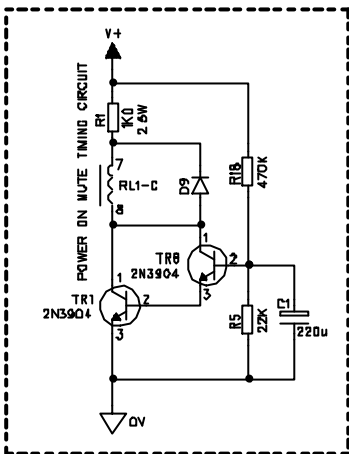
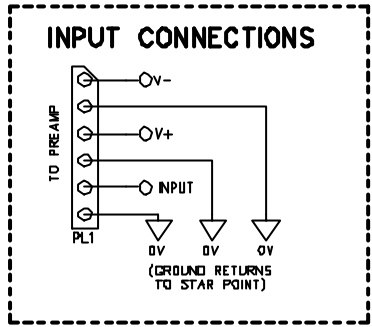


ISSUE CHANGE NOTE DATE	ISSUE CHANGE NOTE DATE	ISSUE CHANGE NOTE DATE
ISSUE CHANGE NOTE DATE	ISSUE CHANGE NOTE DATE	ISSUE CHANGE NOTE DATE

THE BIPOLAR BEAR



DECOUPLING TO CHASSIS



NB:
 TR15 TR16 R34 R35 NOT FITTED FOR 150W
 R30 R15 C10 SET OUTPUT DAMPING FACTOR
 R33 C17 ARE FOR PRESENCE LIFT (IF REQD)
 R7 = R14 ALWAYS
 R15 & R26 = 10K FOR 150W
 R15 & R26 = 27K FOR 300W
 R37 = 10K / 1W FOR 100W
 R37 = 22K / 1W FOR 300W
 DR1 = KBPC802 FOR 150W
 DR1 = KBPC804 FOR 300W
 D1 D2 D6 D7 D10 D16 = 1N4007
 D8 = 16V ZENER
 ALL OTHER DIODES 1N4148

OUTPUT DEVICES:
 TP35C / TP36C FOR 150W
 25C4468 / 25A1895 FOR 300W



TITLE PROJECT DRAWING No ISSUE DATE DRAWN BY

POWER AMP MODULE 150/280W BASS UNITS C000019 3 22/3/1996 J B RECKLESS

TRACE ELLIOT
 TRACE ELLIOT LIMITED
 NALDON ESSEX CM8 7XD
 ENGLAND
 TEL (01621) 851851
 FAX (01621) 881932