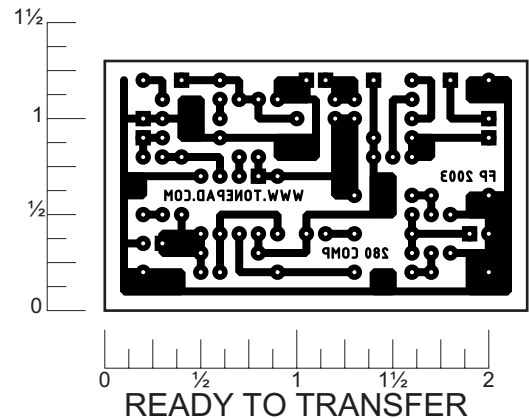
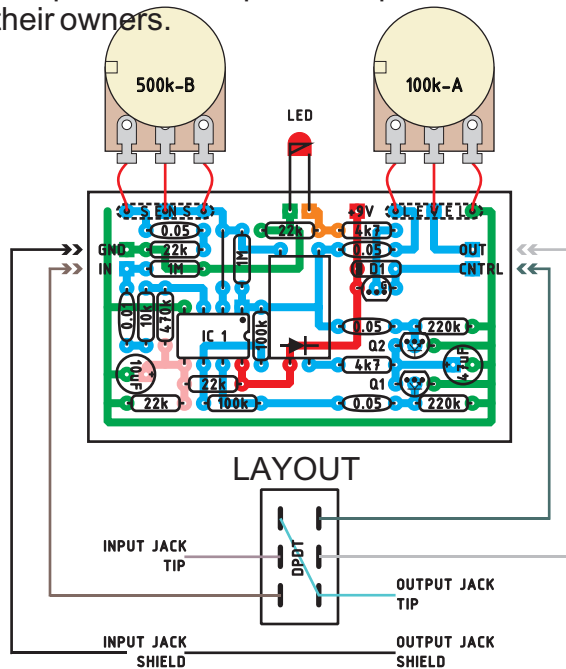


DOS OCHENTA COMPRESSOR

Rev.4.Jan.17.2005

Build the DOD 280 compressor on this layout. An LED/LDR can be used instead of the VTL5C2. Millennium 1 added to the circuit board, if it is not desired, just leave those parts out. Off board components except for the potentiometers are not shown on the layout. Trademarks are property of their owners.



Parts List

Resistors

- 1 - 4k7 (4.7k)
- 1 - 10k
- 3 - 22k
- 2 - 100k
- 2 - 220k
- 1 - 470k
- 2 - 1M

Capacitors

- 1 - 0.01 μ F
- 4 - 0.05 μ F
- 1 - 10 μ F
- 1 - 47 μ F

Transistors & ICs

- IC1 - LM358
- Q1, Q2 - NP4124 (use 2N3904)
- 1 - VTL5C2 (or LED/LDR)

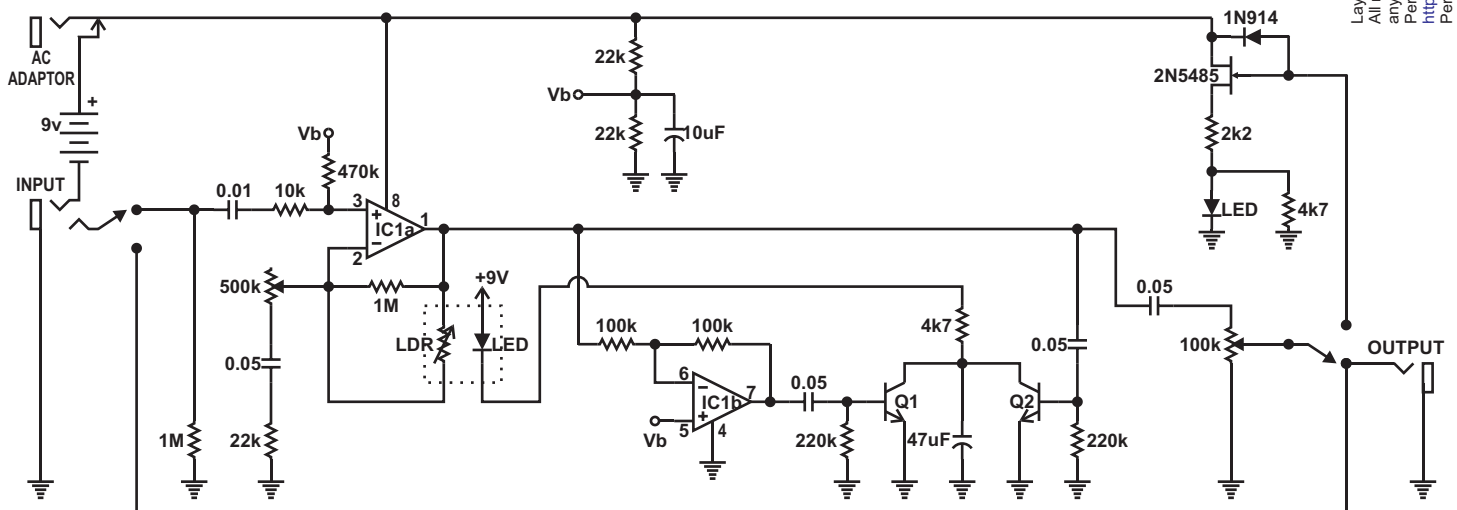
Pots

- 1 - 500k
- 1 - 100k Log

Millennium

- 1 - 1N914 diode
- 1 - FET (2N5485 or similar)
- 1 - 2k2 (2.2k resistor)
- 1 - 4k7 (4.7k resistor)
- 1 - LED

Schematic



Layout and presentation by Francisco Peña 2001-2005©.
 All rights reserved. Authorization for personal use only,
 any commercial use is forbidden.
 Permission for posting/serving limited to
<http://www.tonepad.com>
 Permission refused for posting from other sites.