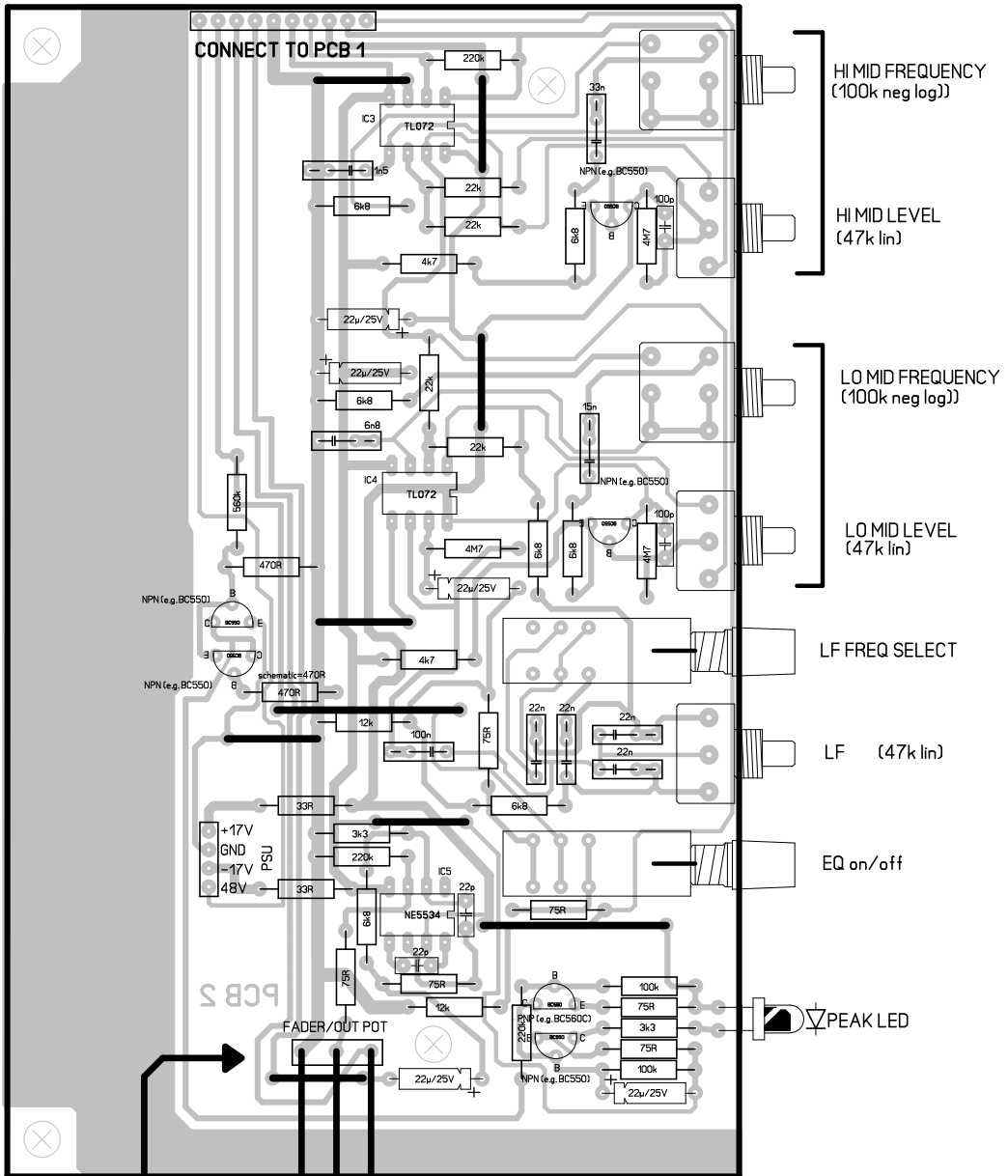
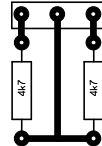


R2



if you don't want an output pot... do this:



Output (option) 10k log