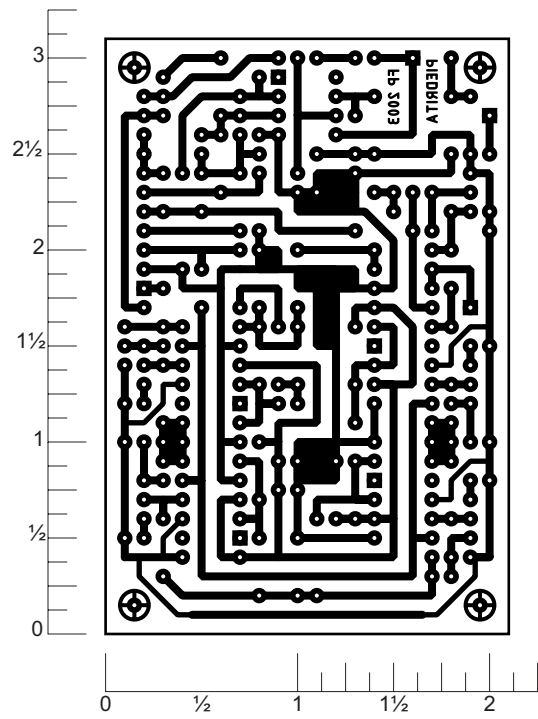
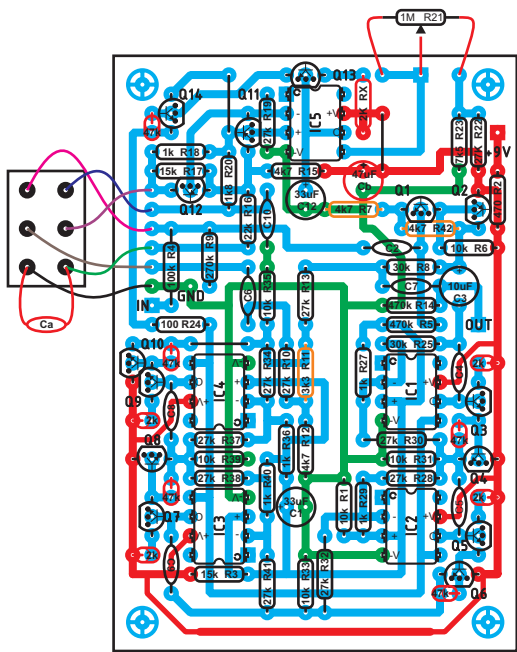
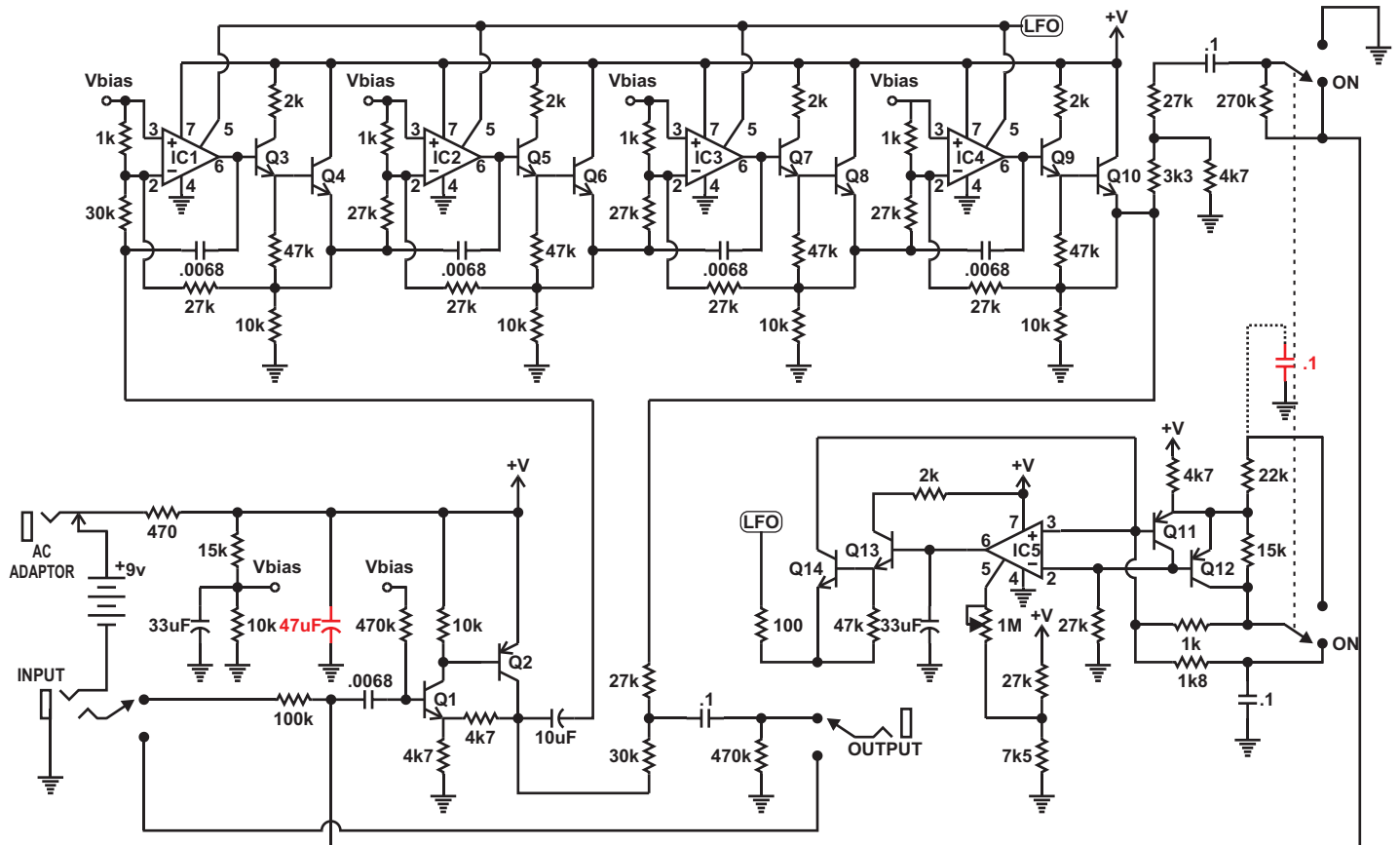


This circuit works like a Small Stone. It uses the CA3080 OTA instead of the obsolete CA3094. When true bypass is used, there's a volume drop when effect is on. Off board components except for the potentiometers are not shown on the layout. Small Stone is a registered trademark owned by EH.



Layout and presentation by Francisco Peña 2001-2004®.
All rights reserved. Authorization for personal use only.
any commercial use is forbidden.
Permission for posting/serving limited to
<http://www.tonepad.com>
Permission refused for posting from other sites.



Parts List

Resistors

- R1 - 10k
- R2 - 470ohm
- R3 - 15k
- R4 - 100k
- R5 - 470k
- R6 - 10k
- R7 - 4k7
- R8 - 30k
- R9 - 270k
- R10 - 27k
- R11 - 3k3
- R12 - 4k7
- R13 - 27k
- R14 - 470k
- R15 - 4k7
- R16 - 22k
- R17 - 15k
- R18 - 1k
- R19 - 27k
- R20 - 1k8
- R21 - 1M pot
- R22 - 27k
- R23 - 7k5
- R24 - 100
- R25 - 30k

R26 -

- R26 -
- R27 - 1k
- R28 - 27k
- R29 - 1k
- R30 - 27k
- R31 - 10k
- R32 - 27k
- R33 - 10k
- R34 - 27k
- R35 - 10k
- R36 - 1k
- R37 - 27k
- R38 - 27k
- R39 - 10k
- R40 - 1k
- R41 - 27k
- R42 - 4k7

Transistors

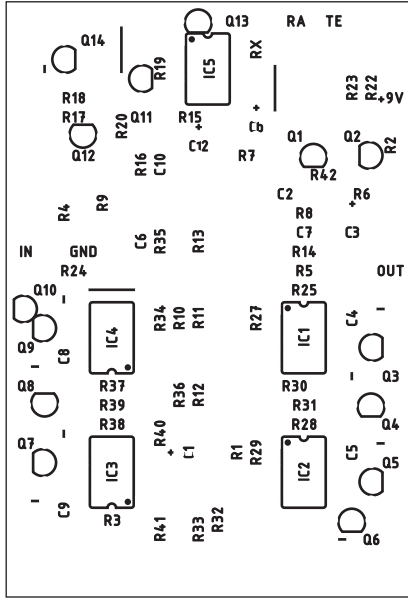
- Q1 - 2N5088
- Q2 - 2N5087
- Q3 - 2N5088
- Q4 - 2N5088
- Q5 - 2N5088
- Q6 - 2N5088
- Q7 - 2N5088
- Q8 - 2N5088
- Q9 - 2N5088
- Q10 - 2N5088
- Q11 - 2N5087
- Q12 - 2N5087
- Q13 - 2N5088
- Q14 - 2N5088

Capacitors

- C1 - 33 μ F
- C2 - 0.0068 μ F
- C3 - 10 μ F
- C4 - 0.0068 μ F
- C5 - 0.0068 μ F
- C6 - 0.1 μ F
- C7 - 0.1 μ F
- C8 - 0.0068 μ F
- C9 - 0.0068 μ F
- C10 - 0.1 μ F
- C11 -
- C12 - 33 μ F
- Ca - 0.1 μ F
- Cb - 47 μ F

ICs

- 5 - CA3080



RX
5 - 2k

RY
5 - 47k

