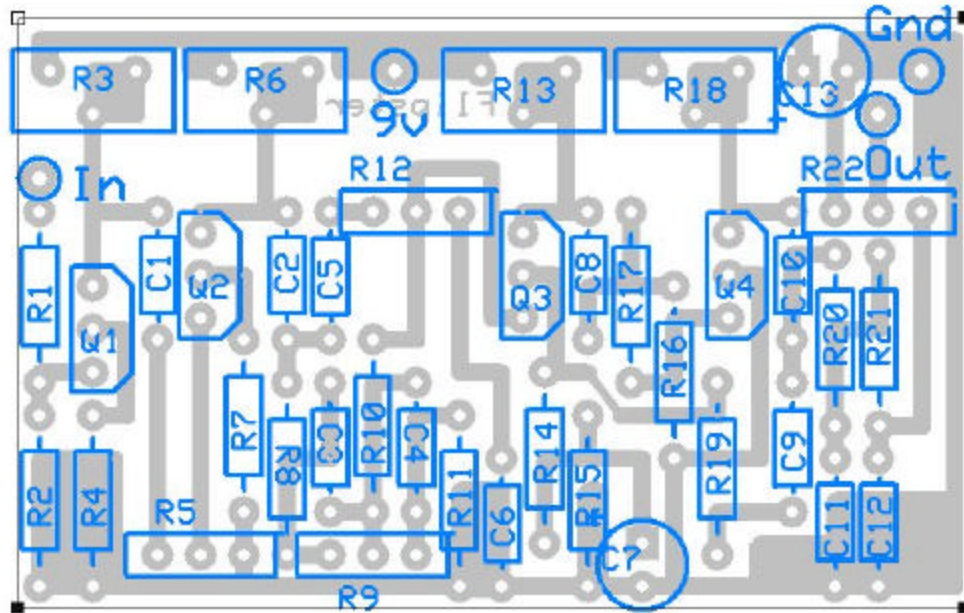


"Flipster" by runoffgroove.com

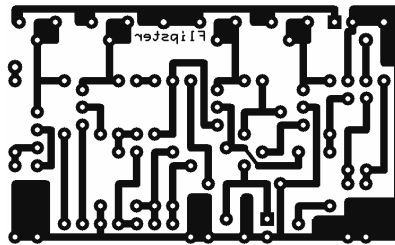
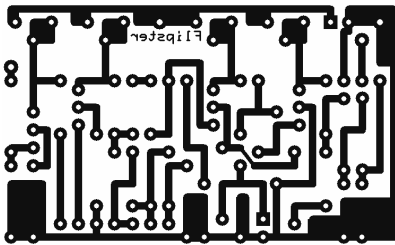
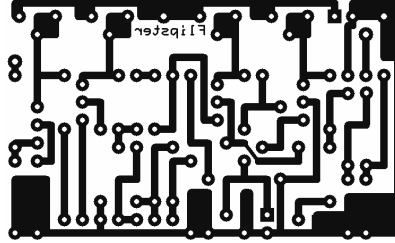
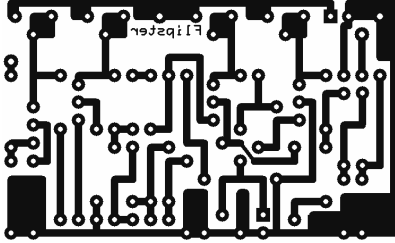
PCB layout by Pablo De Luca (aka Gringo)
Version 1.1 April 18, 2005



Parts List:

Capacitors	Resistors	Semiconductors
C1 22n	R1 47k	Q1 JFET
C2 22n	R2 5.6M	Q2 JFET
C3 1n	R3 100k trim	Q3 JFET
C4 10n	R4 5.6k	Q4 JFET
C5 470p	R5 1M A Vol	
C6 4n7	R6 100k trim	
C7 22uF	R7 2.2k	
C8 22n	R8 220k	
C9 10n	R9 1M A Bass	
C10 22n	R10 120k	
C11 2n2	R11 22k	
C12 2n2	R12 1M A Treble	
C13 100uF	R13 100k trim	
	R14 220	
	R15 1k	
	R16 270k	
	R17 1k	
	R18 100k trim	
	R19 6.8k	
	R20 10k	
	R21 10k	
	R22 100k A Master	

Transfers:



55.88mm x 34.93mm (2.2" x 1.375") aprox.